

iPOLiS

iPOLiS

H.264 A1 Network Camera

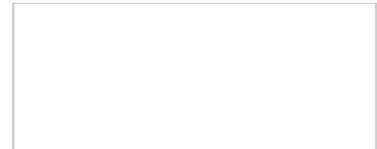
- SNB-2000
- SNB-3000
- SND-3080(F)
- SNV-3080



The Eco mark represents Samsung Techwin's will to create environment-friendly products, and indicates that the product satisfies the EU RoHS Directive.

Design and specifications are subject to change without notice.

■ DISTRIBUTED BY



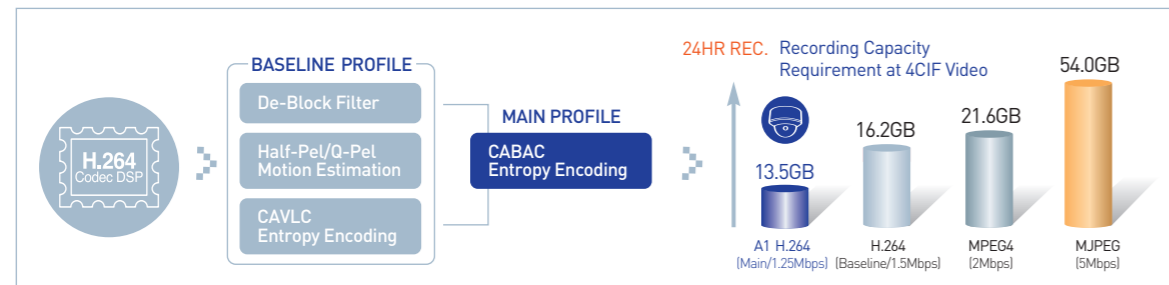
M.E-1003



SAMSUNG SECURITY | Toll Free: 888-595-2288 | Fax: 972-245-7333
 This product specifications and manual are also available in pdf format at www.samsung-security.com
 The information is subject to change without notice - v6.2.10

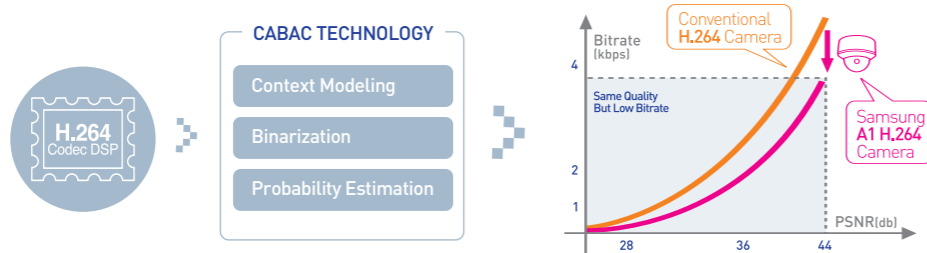
www.samsungipolis.com

High Performance H.264 Compression



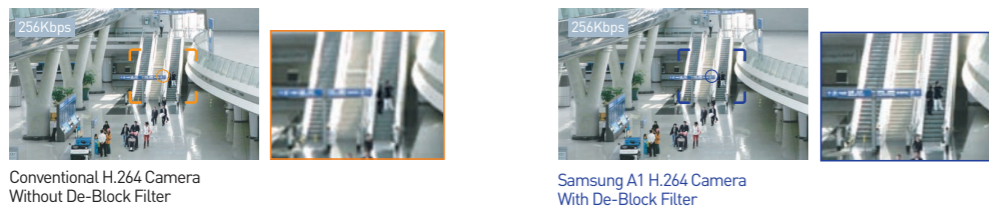
■ CABAC Entropy coding Technology

Samsung A1 Network Camera has adopted the H.264 CABAC Entropy Coding Technology, so the H.264 performance is more enhanced than normal H.264 compression methods. With CABAC technology, Samsung network camera will provide a significant benefit to network transmitting with far less bandwidth usage.



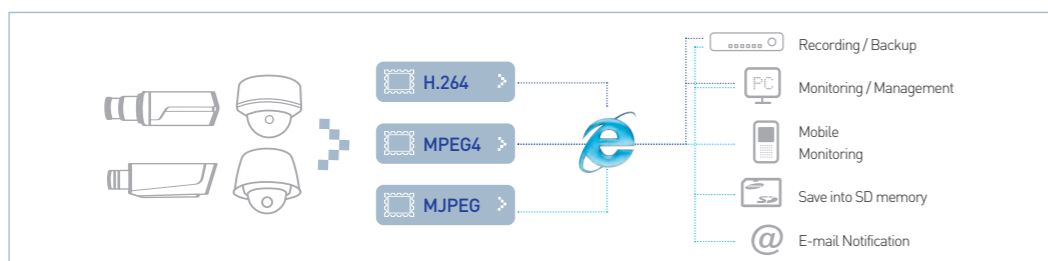
■ De-block Filter

The De-Block Filter technology allows Samsung A1 Network Cameras to guarantee perfect image quality when transmitting low bit rate video through a narrow bandwidth network, by minimizing the block noise that occurs when highly compressed video is sent over a low speed bandwidth network.



■ Multi-Codec & Multi-Usage

The Multi Streaming feature means that H.264 or MPEG4 and MJPEG can be transmitted simultaneously, enabling real-time monitoring, high-quality or high efficiency recording, mobile monitoring, E-mail notification and saving to SD memory.



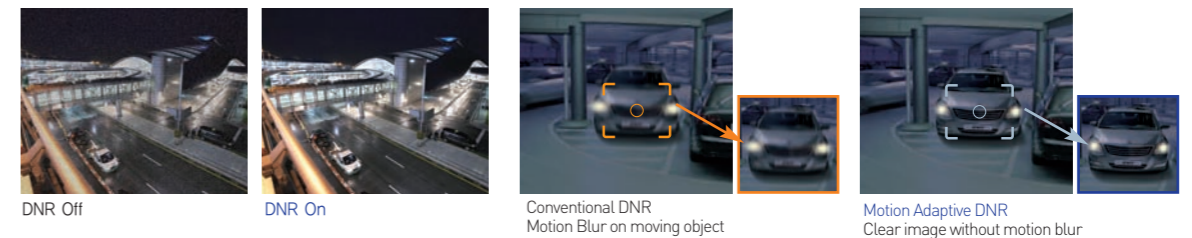
■ Super High-Resolution-600TVL

Samsung A1 network cameras offer the best quality digital image by using Samsung Techwin's industry leading video/image processing technology.



■ Motion Adaptive Digital Noise Reduction

A1 DNR technology utilizes Motion Adaptive DNR, this combines an adaptive 2D filter to reduce noise in the brightness of the image and an adaptive 3D filter that reduces the noise caused by movement greatly reducing motion blur.



■ eXtended Dynamic Range (XDR)

Samsung A1 Network Camera provides XDR (eXtended Dynamic Range) technology to increase the level of visible detail in the dark areas, while maintaining image clarity and detail in the brighter portions of the image.



■ Progressive Scan Network Camera

Samsung A1 Network Camera's progressive scan technology allows for the capture of noiseless, high-quality video of moving subjects.



SNB-2000

1/3" H.264 Network Camera



- Real-time 30(25)fps at High Resolution(4CIF)
- H.264, MPEG-4 & MJPEG Multiple Encoding
- Progressive Scan
- XDR (eXtended Dynamic Range)
- Motion Adaptive DNR (Dynamic Noise Reduction)
- Privacy Mask (12ea)
- DIS (Digital Image Stabilizer)
- DDNS support, HTTPS security support
- IPv4/IPv6 support
- Standard RTP/RTSP support
- PoE (Power over Ethernet)



SNB-3000

1/3" H.264 WDR Network Camera



- Real-time 30(25)fps at High Resolution(4CIF)
- H.264, MPEG-4 & MJPEG Multiple Encoding
- Progressive Scan
- Day & Night Function(IR Cut Filter)
- WDR (Wide Dynamic Range)
- Bi-directional Audio Support
- SD Memory Slot for Internal Recording
- Intelligent Video Analytics
- XDR (eXtended Dynamic Range)
- Motion Adaptive DNR (Dynamic Noise Reduction)
- Privacy Mask (12ea)
- DIS (Digital Image Stabilizer)
- PoE (Power over Ethernet)

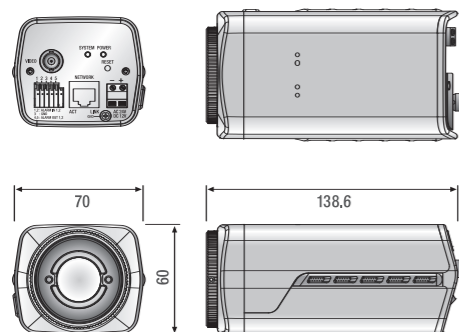


Technical Specifications

Camera	SNB-2000		
Camera Type	Color / B/W	Color	
Device	Super HAD PS CCD		
Image	Size	1/3"	
Scan	Horizontal	Progressive Scan	
	Vertical	NTSC : 811 x 508 / PAL : 795 x 596	
Scanning	Horizontal	NTSC : 15,734Hz	
	Vertical	PAL : 15,625Hz	
Min. Scene Illumination	Color	0.12Lux (15 IRE) / 0.2Lux (30 IRE) / 0.4Lux (50 IRE)	
	B/W	0.00023Lux (15 IRE) / 0.0005Lux (30 IRE) / 0.0008Lux (50 IRE)	
Functions	Number of Privacy Zone	12ea (Polygonal method)	
	Day & Night	Color / B/W / Auto (Soft method)	
	eXtended Dynamic Range(XDR)	On / Off (Level setting)	
	Wide Dynamic Range	N/A	
	Digital Zoom	1x ~ 16x (0.1x step)	
	PIP	On / Off	
	Electronic Shutter Speed	NTSC : 1/60 ~ 1/10Ksec / PAL : 1/50 ~ 1/10Ksec	
	Sens-up (Frame Integration)	2x ~ 512x	
	Backlight Compensation	On / Off (Area setting)	
	White Balance	ATW1 / ATW2 / AWC / 3200K° / 5600K°	
Resolution	Horizontal / Vertical	600TV lines / 350TV lines	
	Video Output	VBS 1.0Vp-p	
	S/N Ratio	52dB	
	Lens	Mount Type	Manual / AI (VIDEO / DC)
	Environmental Conditions	Operating Temperature	-10°C ~ +50°C (+14°F ~ +122°F)
		Operating Humidity	0% ~ 90% RH
	Power	Power Requirement	Dual (12V DC / 24V AC), PoE
		Power Consumption	Max. 7W
	Physical Specification	LED Indicator	Yes
		Dimensions (WxHxD)	72 x 60 x 138.6mm (2.83" x 2.36" x 5.46")

Network	SNB-2000	
OS	OS	Embedded Linux
	Flash memory	32M byte
Network Board	RAM	256M byte
	Ethernet	RJ-45 (10/100 Base-T)
	Video Out	VBS 1.0Vp-p
	Audio	N/A
	SD Memory Slot	N/A
Alarm	Input / Output	2ea / 2ea
	Compression	H.264 / MPEG-4 / MJPEG Multiple codec (H.264 / MPEG-4 selectable)simultaneous dual streaming
Video	Resolution	4CIF 640 x 480
	Max. Frame Rate	NTSC : 30, 15, 8, 3, 1fps / PAL : 25, 13, 6, 3, 1fps
	Quality	1 ~ 10 level (CBR / VBR)
	Compression	N/A
Audio	Bi-Directional Communication	N/A
	OSD	Camera Control and Adjustment OSD menu on video (Menu enter/exit, move by Web UI)
Motion Detection	Sensitivity and Area Setting	High / Medium / Low
	Intelligent Video Analytics	N/A
Protocol	IP	IPv4 / IPv6
	Streaming	TCP/IP, UDP/IP, RTP (UDP), RTP (TCP), RTSP, NTP, HTTP, HTTPS, SSL, DHCP PPPoE, FTP, SMTP, ICMP, IGMP, SNMPv1/v2c/v3 (MIB-2), ARP, DNS, DDNS
Connection	User Access	Administrator Operator User
	Level	Live monitoring, Alarm I/O control, OSD menu control, Set up
Event Management	Alarm Input	JPEG image transfer : FTP, JPEG image recording : SD memory
	Motion Detection	Notification : notify to viewer or by E-mail (one image attachment)
Web Browser	Schedule	Alarm out
	Supported OS	Windows XP, VISTA, 7
Viewer (Default)	Supported Browser	Internet Explorer 6.0 or higher
Video Player	UI Language	English, French, German, Spanish, Italian, Chinese, Korean
	S/W Upgrade	Using web viewer UI
Application	RTP / RTSP Streaming	Quicktime, VLC player
	IP Installation	Provides functionality to control cameras and set/retrieve internal parameter values
SDK	HTTP API	CGI Command
	RTP/RTSP API	Get JPEG image or MJPEG stream, Alarm in/out control
	ActiveX	RTP header, RTSP command document
	SDK	ActiveX API for viewing data streams from IP camera

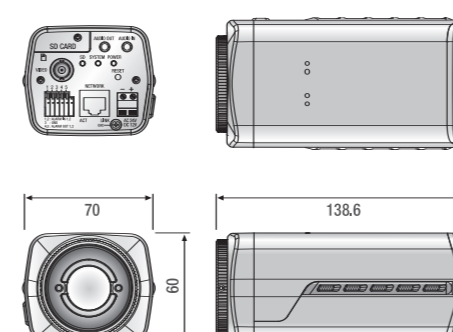
Dimensions



Technical Specifications

Camera	SNB-3000		
Camera Type	Color / B/W	Color	
Device	Super HAD PS CCD		
Image	Size	1/3"	
Scan	Horizontal	Progressive Scan (* When WDR on, Interlaced scan)	
	Vertical	NTSC : 811 x 508 / PAL : 795 x 596	
Scanning	Horizontal	NTSC : 15,734Hz	
	Vertical	PAL : 15,625Hz	
Min. Scene Illumination	Color	0.12Lux (15 IRE) / 0.2Lux (30 IRE) / 0.4Lux (50 IRE)	
	B/W	0.00023Lux (15 IRE) / 0.0005Lux (30 IRE) / 0.0008Lux (50 IRE)	
Functions	Number of Privacy Zone	12ea (4-point polygonal method)	
	Day & Night	Color / B/W / Auto (ICR)	
	eXtended Dynamic Range (XDR)	On / Off (Level setting)	
	Wide Dynamic Range	NTSC : On / Off (128x) / PAL : On / Off (160x)	
	Digital Zoom	1x ~ 16x (0.1x step)	
	PIP	On / Off	
	Electronic Shutter Speed	NTSC : 1/60 ~ 1/10Ksec / PAL : 1/50 ~ 1/10Ksec	
	Sens-up (Frame Integration)	2x ~ 512x	
	Backlight Compensation	On / Off (Area setting)	
	White Balance	ATW1 / ATW2 / AWC / 3200K° / 5600K°	
Resolution	Horizontal / Vertical	600TV lines / 350TV lines	
	Video Output	VBS 1.0Vp-p	
	S/N Ratio	52dB	
	Lens	Mount Type	Manual / AI (VIDEO / DC)
	Environmental Conditions	Operating Temperature	-10°C ~ +50°C (+14°F ~ +122°F)
		Operating Humidity	0% ~ 90% RH
	Power	Power Requirement	Dual (12V DC / 24V AC), PoE
		Power Consumption	Max. 8W
	Physical Specification	LED Indicator	Yes
		Dimensions (WxHxD)	72 x 60 x 138.6mm (2.83" x 2.36" x 5.46")

Dimensions



Network	SNB-3000	
OS	OS	Embedded Linux
	Flash memory	32M byte
Network Board	RAM	256M byte
	Ethernet	RJ-45 (10/100 Base-T)
	Video Out	VBS 1.0Vp-p
	Audio	Line in / Line out
	SD Memory Slot	Yes (SD / SDHC)
Alarm	Input / Output	2ea / 2ea
	Compression	H.264 / MPEG-4 / MJPEG Multiple codec (H.264 / MPEG-4 selectable)simultaneous dual stream
Video	Resolution	4CIF 640 x 480
	Max. Frame Rate	NTSC : 30, 15, 8, 3, 1fps / PAL : 25, 13, 6, 3, 1fps
	Quality	1 ~ 10 level (CBR / VBR)
	Compression	G.711
Audio	Bi-Directional Communication	Yes
	OSD	Camera Control and Adjustment OSD menu on video (Menu enter/exit, move by Web UI)
Intelligent Video Analytics	Sensitivity and Area Setting	Scene change, Virtual line, Enter/Exit, Appear/Disappear
	IP	IPv4 / IPv6
Protocol	Network Protocol	IPv4 IPv6
	Streaming	TCP/IP, UDP/IP, RTP (UDP), RTP (TCP), RTSP, NTP, HTTP, HTTPS, SSL, DHCP PPPoE, FTP, SMTP, ICMP, IGMP, SNMPv1/v2c/v3 (MIB-2), ARP, DNS, DDNS
Connection	User Access	Administrator Operator User
	Level	Live monitoring, Alarm I/O control, OSD menu control, Set up
Event Management	Alarm Input	JPEG image transfer : FTP, JPEG image recording : SD memory
	Motion Detection	Notification : notify to viewer or by E-mail (one image attachment), Alarm out
Web Browser	Schedule	JPEG image transfer : FTP, E-mail, JPEG image recording : SD memory
	Supported OS	Windows XP, VISTA, 7
Viewer (Default)	Supported Browser	Internet Explorer 6.0 or higher
Video Player	UI Language	English, French, German, Spanish, Italian, Chinese, Korean
	S/W Upgrade	Using web viewer UI
Application	RTP / RTSP Streaming	Quicktime, VLC player
	IP Installation	Provides functionality to control cameras and set/retrieve internal parameter values
SDK	HTTP API	CGI Command
	RTP/RTSP API	Get JPEG image or MJPEG stream, Alarm in/out control
	ActiveX	RTP header, RTSP command document
	SDK	ActiveX API for viewing data streams from IP camera

SND-3080(F)

H.264 WDR Network Dome Camera



- 2.8-11mm Vari-Focal Lens
- Real-time 30(25)fps at High Resolution(4CIF)
- H.264, MPEG-4 & MJPEG Multiple Encoding
- Progressive Scan
- WDR (Wide Dynamic Range)
- SD Memory Slot for Internal Recording
- XDR (eXtended Dynamic Range)
- Motion Adaptive DNR (Dynamic Noise Reduction)
- Privacy Mask (12ea)
- DIS (Digital Image Stabilizer)
- PoE (Power over Ethernet)

SNV-3080

H.264 Anti-Vandal WDR Network Dome Camera

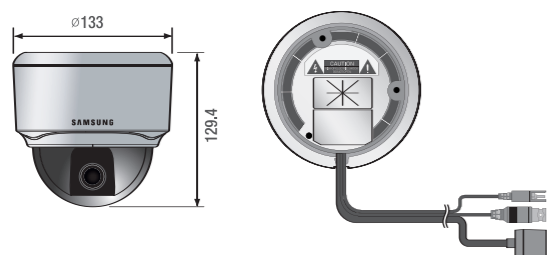


- 2.8-11mm Vari-Focal Lens
- Fan/Heater built-in for Outdoor Installation
- Real-time 30(25)fps at High Resolution(4CIF)
- H.264, MPEG-4 & MJPEG Multiple Encoding
- Progressive Scan
- WDR (Wide Dynamic Range)
- Day & Night Function (IR Cut Filter)
- Bi-directional Audio Support
- SD Memory Slot for Internal Recording
- Intelligent Video Analytics
- XDR (eXtended Dynamic Range)
- Motion Adaptive DNR (Dynamic Noise Reduction)
- Privacy Mask (12ea)
- DIS (Digital Image Stabilizer)
- PoE (Power over Ethernet)
- IP66

Technical Specifications

Camera	SND-3080/3080F	
Camera Type	Color / B/W	Color
Device		Super HAD PS CCD
Size		1/3"
Image	Scan	Progressive Scan
	Horizontal	NTSC : 811 x 508 / PAL : 795 x 596
Pixels	Total Effective	NTSC : 768 x 494 / PAL : 752 x 582
	Internal Mode	NTSC : 15,734Hz
Scanning	Vertical Frequency	PAL : 15,625Hz
	Internal Mode	NTSC : 59.94Hz
Min. Scene Illumination	Color	0.12Lux (15 IRE) / 0.2Lux (30 IRE) / 0.4Lux (50 IRE)
	Sens Off	0.00023Lux (15 IRE) / 0.0005Lux (30 IRE) / 0.0008Lux (50 IRE)
	Sens-up 512x	0.12Lux (15 IRE) / 0.2Lux (30 IRE) / 0.4Lux (50 IRE)
	Sens-off 512x	0.00023Lux (15 IRE) / 0.0005Lux (30 IRE) / 0.0008Lux (50 IRE)
Functions	Number of Privacy Zone	12ea (Polygonal method)
	Day & Night	Color / B/W / Auto (Soft method)
	eXtended Dynamic Range (XDR)	On / Off (Level setting)
	Wide Dynamic Range	NTSC : On / Off (128x) / PAL : On / Off (160x)
	Digital Zoom	1x ~ 16x (0.1x step)
	PIP	On / Off
	Electronic Shutter Speed	NTSC : 1/60 ~ 1/10Ksec / PAL : 1/50 ~ 1/10Ksec
	Flickerless	On / Off
	Sens-up (Frame Integration)	2x ~ 512x
	Backlight Compensation	On / Off (Area setting)
	AGC	On / Off (Max. level setting)
	White Balance	ATW1 / ATW2 / AWC / Manual
Digital Noise Reduction	On / Off (Adaptive 3D + 2D)	
Digital Image Stabilization	On / Off	
Camera ID	On / Off (Max. 54ea / 2 line)	
Etc. Function	Detail, Reverse (H/V), Posi/Nega	
Resolution	Horizontal / Vertical	600TV lines / 350TV lines
	Video Output	VBS 1.0Vp-p
Lens	S/N Ratio	52dB
	Focal Length	2.8 ~ 11mm
	Zoom Ratio	3.9x
	Aperture Ratio	F1.2
Environmental Conditions	Operating Temperature	-10°C ~ +50°C (+14°F ~ +122°F)
	Operating Humidity	0% ~ 90% RH
Power	Power Requirement	Dual (12V DC / 24V AC), PoE
	Power Consumption	Max. 8W
Physical Specification	LED Indicator	Yes
	Dimensions (WxH)	SND-3080 : 0133 x 129.4mm (05.24" x 5.09") SND-3080F : 0159.9 x 126mm (06.3" x 4.96") SND-3080 : 523g (1.15 lb) / SND-3080F : 650g (1.43 lb)
Weight		
Color / Case		White / Plastic

Dimensions

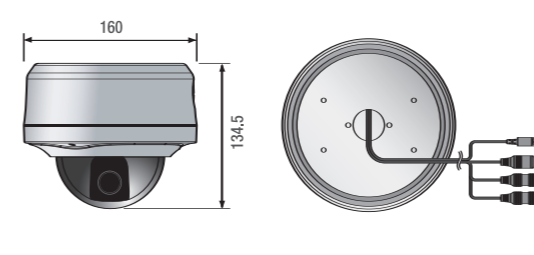


Network	SND-3080/3080F	
OS		Embedded Linux
	Flash memory	32M byte
RAM		256M byte
	Ethernet	RJ-45 (10/100 Base-T)
Video Out		VBS 1.0Vp-p
	Audio	N/A
SD Memory Slot		Yes (SD / SDHC)
	PoE	Yes (IEEE802.3af)
Input / Output		2ea / 2ea
	Compression	H.264 / MPEG-4 / MJPEG Multiple codec (H.264 / MPEG-4 selectable)simultaneous dual streaming
Resolution	4CIF	NTSC : 704 x 480 / PAL : 704 x 576
	VGA	640 x 480
CIF		NTSC : 352 x 240 / PAL : 352 x 288
	Max. Frame Rate	NTSC : 30, 15, 8, 3, 1fps / PAL : 25, 13, 6, 3, 1fps
Quality		1 ~ 10 level (CBR / VBR)
	Compression	N/A
Bi-Directional Communication		N/A
	Camera Control and Adjustment	OSD menu on video (Menu enter/exit, move by Web UI)
Sensitivity and Area Setting		High / Medium / Low
	IP	IPv4 / IPv6
Network	IPV4	TCP/IP, UDP/IP, RTP (UDP), RTP (TCP), RTSP, NTP, HTTP, HTTPS, SSL, DHCP
	IPV6	PPPoE, FTP, SMTP, ICMP, IGMP, SNMPv1/v2c/v3 (MIB-2), ARP, DNS, DDNS
Streaming		TCP/IP, HTTP, HTTPS, SSL, DHCP
	Unicast, Multicast	
Security		HTTPS (SSL) login authentication, Digest login authentication, IP address filtering
	DDNS	Supporting samsung DDNS and public DDNS services
Maximum User Access		Max. 10 users at Unicast mode, Max. 20 users at Multicast mode
	User Access	Administrator
Operator		Live monitoring, Alarm I/O control, OSD menu control, Set up
	Level	User
Live monitoring		Live monitoring
	Alarm Input	JPEG image transfer : FTP, JPEG image recording : SD memory
Motion Detection		Notification : notify to viewer or by E-mail (one image attachment), Alarm out
	Schedule	JPEG image transfer : FTP, E-mail, JPEG image recording : SD memory
Supported OS		Windows XP, VISTA, 7
	Supported Browser	Internet Explorer 6.0 or higher
UI Language		English, French, German, Spanish, Italian, Chinese, Korean
	S/W Upgrade	Using web viewer UI
RTP / RTSP Streaming		Quicktime, VLC player
	Samsung CMS S/W, 3rd party S/W application	
IP Installation		IP installer application for all Samsung IP devices
	Provides functionality to control cameras and set/retrieve internal parameter values	
Get JPEG image or MJPEG stream, Alarm in/out control	HTTP API	CGI Command
	RTP/RTSP API	
RTP header, RTSP command document		
	ActiveX	SDK
ActiveX API for viewing data streams from IP camera		

Technical Specifications

Camera	SNV-3080	
Camera Type	Color / B/W	Color
Device		Super HAD PS CCD
Size		1/3"
Image	Scan	Progressive Scan (When WDR on, Interlaced Scan)
	Horizontal	NTSC : 811 x 508 / PAL : 795 x 596
Pixels	Total Effective	NTSC : 768 x 494 / PAL : 752 x 582
	Internal Mode	NTSC : 15,734Hz
Scanning	Vertical Frequency	PAL : 15,625Hz
	Internal Mode	NTSC : 59.94Hz
Min. Scene Illumination	Color	0.12Lux (15 IRE) / 0.2Lux (30 IRE) / 0.4Lux (50 IRE)
	Sens Off	0.00023Lux (15 IRE) / 0.0005Lux (30 IRE) / 0.0008Lux (50 IRE)
	Sens-up 512x	0.12Lux (15 IRE) / 0.2Lux (30 IRE) / 0.4Lux (50 IRE)
	Sens-off 512x	0.00023Lux (15 IRE) / 0.0005Lux (30 IRE) / 0.0008Lux (50 IRE)
Functions	Number of Privacy Zone	12ea (4-point polygonal method)
	Day & Night	Color / B/W / Auto (ICR)
	eXtended Dynamic Range (XDR)	On / Off (Level setting)
	Wide Dynamic Range	NTSC : On / Off (128x) / PAL : On / Off (160x)
	Digital Zoom	1x ~ 16x (0.1x step)
	PIP	On / Off
	Electronic Shutter Speed	NTSC : 1/60 ~ 1/10Ksec / PAL : 1/50 ~ 1/10Ksec
	Flickerless	On / Off
	Sens-up (Frame Integration)	2x ~ 512x
	Backlight Compensation	On / Off (Area setting)
	AGC	On / Off (Max. level setting)
	White Balance	ATW1 / ATW2 / AWC / Manual (ATW1 : 2,500 ~ 9,500°K, ATW2 : 2,000 ~ 10,000°K)
Digital Noise Reduction	On / Off (Adaptive 3D + 2D)	
Digital Image Stabilization	On / Off	
Camera ID	On / Off (Max. 54ea / 2 line)	
Etc. Function	Detail, Reverse (H/V), Posi/Nega, PIP	
Resolution	Horizontal / Vertical	600TV lines / 350TV lines
	Video Output	VBS 1.0Vp-p
Lens	S/N Ratio	52dB
	Focal Length	2.8 ~ 11mm
	Zoom Ratio	3.9x
	Aperture Ratio	F1.2
Environmental Conditions	Operating Temperature	-40°C ~ +50°C (Built-in fan/heater)
	Operating Humidity	0% ~ 90% RH (Waterproof)
Power	Power Requirement	Dual (12V DC / 24V AC), PoE
	Power Consumption	Max. 8W (Heater off) / Max. 11W (Heater on)
LED Indicator		Yes
	Dimensions (WxH)	0160 x 134.5mm (6.3" x 5.3")
Weight		1.28Kg (2.82 lb)
	Color / Case	White Grey / Aluminum (IP66)

Dimensions



Network	SNV-3080	
OS		Embedded Linux
	Flash memory	32M byte
RAM		256M byte
	Ethernet	RJ-45 (10/100 Base-T)
Video Out		VBS 1.0Vp-p
	Audio	Line in / Line out
SD Memory Slot		Yes (SD / SDHC)
	PoE	Yes (IEEE802.3af)
Input / Output		2ea / 2ea
	Compression	H.264 / MPEG-4 / MJPEG Multiple codec (H.264 / MPEG-4 selectable)simultaneous dual streaming
Resolution	4CIF	NTSC : 704 x 480 / PAL : 704 x 576
	VGA	640 x 480
CIF		NTSC : 352 x 240 / PAL : 352 x 288
	Max. Frame Rate	NTSC : 30, 15, 8, 3, 1fps / PAL : 25, 13, 6, 3, 1fps
Quality		1 ~ 10 level (CBR / VBR)
	Compression	G.711
Bi-Directional Communication		Yes
	Camera Control and Adjustment	OSD menu on video (Menu enter/exit, move by Web UI)
Sensitivity and Area Setting		High / Medium / Low
	IP	IPv4 / IPv6
Network	IPV4	TCP/IP, UDP/IP, RTP (UDP), RTP (TCP), RTSP, NTP, HTTP, HTTPS, SSL, DHCP
	IPV6	PPPoE, FTP, SMTP, ICMP, IGMP, SNMPv1/v2c/v3 (MIB-2), ARP, DNS, DDNS
Streaming		TCP/IP, HTTP, HTTPS, SSL, DHCP
	Unicast, Multicast	
Security		HTTPS (SSL) login authentication, Digest login authentication, IP address filtering
	DDNS	Supporting samsung DDNS and public DDNS services
Maximum User Access		Max. 10 users at Unicast mode, Max. 20 users at Multicast mode
	User Access	Administrator
Operator		Live monitoring, Alarm I/O control, OSD menu control, Set up
	Level	User
Live monitoring		Live monitoring
	Alarm Input	JPEG image transfer : FTP, JPEG image recording : SD memory
Motion Detection		Notification : notify to viewer or by E-mail (one image attachment), Alarm out
	Schedule	JPEG image transfer : FTP, E-mail, JPEG image recording : SD memory
Supported OS		Windows XP, VISTA, 7
	Supported Browser	Internet Explorer 6.0 or higher
UI Language		English, French, German, Spanish, Italian, Chinese, Korean
	S/W Upgrade	Using web viewer UI
RTP / RTSP Streaming		Quicktime, VLC player
	Samsung CMS S/W, 3rd party S/W application	
IP Installation		IP installer application for all Samsung IP devices
	Provides functionality to control cameras and set/retrieve internal parameter values	
Get JPEG image or MJPEG stream, Alarm in/out control	HTTP API	CGI Command
	RTP/RTSP API	
RTP header, RTSP command document		
	ActiveX	SDK
ActiveX API for viewing data streams from IP camera		