



SAMSUNG TECHWIN

iPOLiS

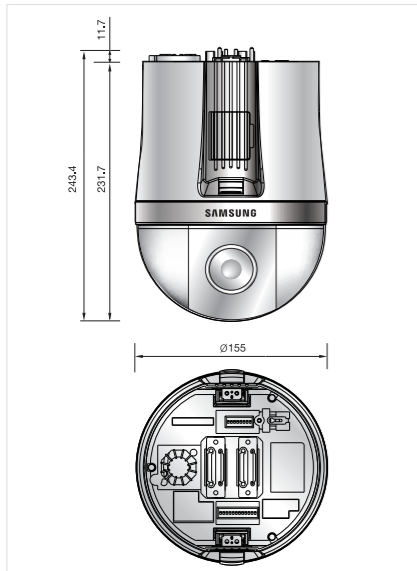
37x/33x High-Resolution Network PTZ Dome Camera

# SNP-3750/3350



## Dimensions

Unit : mm (inch)



The Eco mark represents Samsung Techwin's will to create environment-friendly products, and indicates that the product satisfies the EU RoHS Directive.

## Specifications

	SNP-3750N	SNP-3750P	SNP-3350N	SNP-3350P
<b>VIDEO</b>				
Imaging Device	1/4 inch, Vertical Double Density Interline CCD			
Total Pixels	811(H) x 508(V)	795(H) x 596(V)	811(H) x 508(V)	795(H) x 596(V)
Effective Pixel	768 (H) X 494 (V)	752 (H) X 582 (V)	768 (H) X 494 (V)	752 (H) X 582 (V)
Scanning System	2 : 1 Interlace			
Frequency	H : 15.734 KHz V : 59.94 Hz	H : 15.625 KHz V : 50.00 Hz	H : 15.734 KHz V : 59.94 Hz	H : 15.625 KHz V : 50.00 Hz
Horizontal Resolution	Color : 550TV Lines (Min.), B/W : 680TV Lines (Min.)			
Min. Illumination (Analog Video Output)	Color : 0.7Lux (50 IRE@F1.6), 0.002Lux (Sens-up, 256X) B/W : 0.03Lux (50 IRE@F1.6)			
S/N (Y signal)	50dB			
On Screen Display	Built-In (Web viewer)			
Camera Title	On/Off (Web viewer)			
ID (Camera Address)	1 ~ 255			
Day & Night	Auto (ICR) / Color / B/W			
Backlight Compensation	WDR / BLC / HLC / OFF			
Dynamic Range	52dB			
Motion Detection	On/Off (Web viewer)			
Digital Image Stabilization	On/Off			
Privacy Masking	On/Off (8 Programmable zones)			
3D Noise Filter (SSNR1)	Low / Medium / High / Off			
Sens-up (Frame Integration)	On/Off (Selectable limit ~ 256X)			
Gain Control	Low / Medium / High / Off			
White Balance	ATW / AWC / Manual / Indoor / Outdoor			
Electronic Shutter Speed	Auto (NTSC : 1/60~120,000sec, PAL : 1/50~1/120,000) / Manual / A.FLK			
<b>LENS</b>				
Zoom Ratio	37X (Optical), 12X (Digital)		33X (Optical), 12X (Digital)	
Focal Length	3.5 ~ 129.5mm (F1.6 to 3.9)		3.5 ~ 115.5mm (F1.6 to 3.6)	
Max. Aperture Ratio	1:1.6 (Wide) ~ 3.9 (Tele)		1:1.6 (Wide) ~ 3.6 (Tele)	
Min. Object Distance	1.8m (5.91ft)		1.8m (5.91ft)	
Angular Field of View	H : 55.5° (Wide) ~ 1.59° (Tele) V : 42.5° (Wide) ~ 1.19° (Tele)		H : 55.5° (Wide) ~ 1.77° (Tele) V : 42.5° (Wide) ~ 1.33° (Tele)	
Focus	Auto / Manual / One-push			
Zoom Movement Speed	2.5 Sec		2.2 Sec	
IRIS Control	Auto / Manual			
<b>PAN / TILT</b>				
Pan Range	360°			
Pan Speed	Preset : 400°/sec, Manual : 0.024°~120°/sec (Proportional Zoom Ratio)			
Tilt Range	-15° ~ 195°			
Tilt Speed	Preset : 400°/sec, Manual : 0.024°~120°/sec (Proportional Zoom Ratio)			
Preset Positions	255			
Preset Accuracy	±0.1°			
PTZ mode	Preset, Swing, Group, Tour			
<b>PERFORMANCE</b>				
Encoding	Resolution Up to 704 x 480 (NTSC), Up to 704 x 576 (PAL) Compression MPEG-4 / JPEG Dual Codec Encode Rate Up to 30fps@704 x 480 (NTSC), Up to 25fps@704 x 576 (PAL) Transmission Speed Up to 100Mbps			
Network	Remote users Maximum 20simultaneously Protocol support RTP/UDP, RTP/Multicast, RTSP, TCP/IP, DHCP, DNS, DDNS, HTTP, SMTP, FTP Video Analytics Object Detection (Missing Object)			
Security	Password Protection 5User Level			
<b>INTERFACE</b>				
Monitor	Output 1BNC (adapter) Input 1Microphone connector, Line in (1Vpp) / MIC in (2K ohm)			
Audio	Output 1Microphone connector, Line out (1Vpp) Compression ADPCM Sampling Rate 8KHz			
Alarm	Inputs Terminal 4input, NO/NC Outputs Terminal 2output, NO/NC			
Connections	Remote notification Via e-mail or FTP Ethernet RJ-45 10/100 Base-T Standard Interface RS-485/422			
Serial Remote Control	Connection Speed 2400, 4800, 9600, 19200 bps S-Protocol, Pelco-D, Pelco-P, Panasonic, Vicon, AD, Honeywell, Bosch, GTE, SEC, Sungjin, Convex			
Storage	SD(SDHC) Memory Stored event image, Back-up			
<b>GENERAL</b>				
Input Voltage	24V AC ±10%			
Power Consumption	Max. 16W			
Operating Temperature/Humidity	-10°C ~ +50°C / 20% ~ 80% RH			
Dimension (Ø x D)	Ø155 x 243.4mm (Ø6.1" x 9.58")			
Weight	About 2Kg (4.41lb)			

Design and specifications are subject to change without notice.



# 37X

Enhance Your Network Monitoring

Convenient Network Monitoring with Up To 37x Optical Zoom



# SNP-3750/3350

37x/33x High-Resolution Network PTZ Dome Camera

- MPEG-4 / JPEG dual codec
- Maximum 37x optical zoom (3.5mm~129.5mm)
- Real-time multi-streaming
- 64-channel central management software SVM-S1
- SD memory card



SAMSUNG TECHWIN CO., LTD.  
145-3, Sangdaewon 1-dong, Jungwon-gu, Seongnam-si, Gyeonggi-do Korea 462-703  
Tel : +82-31-740-8151-8 Fax : +82-31-740-8145  
www.samsungipolis.com

SAMSUNG TECHWIN AMERICA Inc.  
1480 Charles Willard St, Carson, CA 90746, UNITED STATES  
Tel: Free +1-877-213-1222 Fax : +1-310-632-2195  
www.samsungcctvusa.com

SAMSUNG TECHWIN EUROPE CO., LTD.  
Samsung House, 1000 Hillswood Drive, Hillswood Business Park  
Chertsey, Surrey, UNITED KINGDOM KT16 0PS  
Tel : +44-1932-45-5300 Fax : +44-1932-45-5325

TIANJIN SAMSUNG TECHWIN OPTO-ELECTRONICS CO., LTD.  
No.11 Wei 6 Street, Micro-Electronic Industrial Park  
Jingang Road, Tianjin, P.R. CHINA 300385  
Tel : +86-22-23887788 Fax : +86-22-23887788

DISTRIBUTED BY



9-2009

www.samsungipolis.co.kr

I.E-0909