

AXIS Q35 Network Camera Series

Solid performance.



- > HDTV 1080p at up to 60 fps
- > Seamless transition between WDR and Lightfinder
- > Axis' Electronic Image Stabilization
- > IK10+ outdoor models
- > Efficient, versatile installation

AXIS Q35 Fixed Domes have top-of-the-line image usability, durability and reliability. The indoor and outdoor-ready vandal-resistant cameras are ideal for high-security applications in areas such as cities, airports, railway stations, and industrial and critical infrastructure facilities.

The indoor AXIS Q3505-V and the outdoor AXIS Q3505-VE models are available with wide-angle or telephoto lens. All models deliver HDTV 1080p video at up to 60 frames per second, providing smooth video even when capturing fast movements.

The cameras' Wide Dynamic Range (WDR) – Forensic Capture capability provides perfectly balanced video quality in scenes with strong variations in light, while the Lightfinder technology enables outstanding image usability in poor light. The cameras can seamlessly transition between handling WDR and low-light conditions.

AXIS Q35 Fixed Domes offer optical zoom that can be used when monitoring a scene or for optimizing the

viewing angle using the remote zoom and focus at installation.

The indoor AXIS Q3505-V has IK10 impact resistance and IP52-rated dust protection. The outdoor-ready AXIS Q3505-VE has an IK10+ rating against vandalism. All models are vibration- and shock-resistant, and their Electronic Image Stabilization capability ensures steady video in environments that are subject to vibrations.

The cameras have been designed for efficient installation with features such as versatile cable management, leveling assistant and auto rotation.



Fixed domes for reliable installation

Steady, high-quality video in tough environments

AXIS Q35 Series supports Axis' Electronic Image Stabilization, which provides smooth and steady video when the camera is subject to vibrations. In addition to improving image usability, the Electronic Image Stabilization significantly reduces bandwidth and storage needs. The stabilization is achieved through the combination of a gyroscope and software in AXIS Q35 cameras.

Superior image quality

AXIS Q35 Series supports WDR – Forensic Capture, which enables easy and clear identification of people and objects both in bright and dark areas of a scene. It is ideal for surveillance in areas with strong variations in light, for instance, in tunnels. The cameras offer outstanding light sensitivity with Axis' Lightfinder technology, which maintains colors even in low-light conditions. For more on WDR, Electronic Image Stabilization and Lightfinder technology, go to: www.axis.com/corporate/corp/tech_papers.htm

Maximized operability

AXIS Q35 Series offers several image usability and operability features. When using the optical zoom for monitoring, an operator can zoom in on an object, or the camera can zoom in automatically when the Gatekeeper functionality is applied. Instead of conventional black privacy masks, an operator can use more viewer-friendly, blurred privacy masks. The cameras also support barrel distortion correction. Furthermore, the cameras offer shock detection, which can send an alarm if the camera is hit.

Efficient and versatile installation

AXIS Q35 Series offers unique installation capabilities for efficient and versatile installation. The outdoor-ready AXIS Q3505-VE is specially designed for reliable, weatherproof and vandal-resistant installation. It has an IK10+ rating and has been tested to ensure that it can withstand a minimum of 50 joules of impact. A weather shield is included for effective protection against reflections from sunlight, rain or build-ups of snow.

The cameras' versatile cable management features service loop space and optional connection to any type of conduit. Both the indoor and the outdoor models include a mounting bracket for mounting on junction boxes or directly on walls or ceilings, and the cameras further support options such as recessed mounting or mounting on pendants.

The remote zoom and focus capability provides convenient zooming and focusing over the network, eliminating the need for hands-on fine-tuning. The cameras' leveling assistant and auto rotation aids are useful at installation to ensure horizontally aligned and correctly rotated images wherever or however the cameras are mounted.

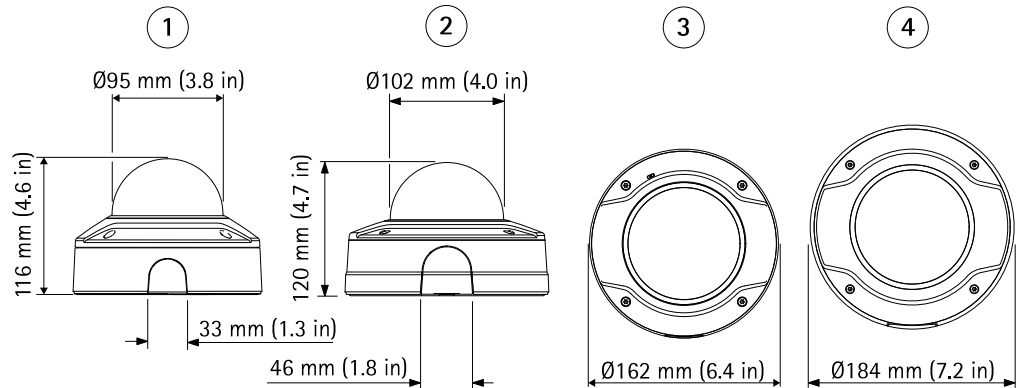
AXIS Q35 cameras support two-way audio. The indoor model enables an optional microphone to be mounted in the casing for high-quality audio capture.

Optional accessories include an intrusion switch that sends an alarm if any unauthorized tampering occurs. In addition, skin covers, which hide the screws and can be repainted in any color, are available. An AC/DC power converter back box is also available for outdoor models.



Dimensions

1. AXIS Q3505-V Side view
2. AXIS Q3505-VE Side view
3. AXIS Q3505-V Top view
4. AXIS Q3505-VE Top view



Optional accessories

1. Pendant kit - Outdoor
2. Pendant kit - Indoor
3. AXIS Intrusion Switch B
4. AXIS T98A17-VE Surveillance Cabinet
5. Axis Wall Mounts
6. AXIS T91A47 Pole Mounts
7. Axis Ceiling Mounts
8. AXIS T90B Illuminators
9. Axis Conduit Adapters



Technical Specifications - AXIS Q35 Network Camera Series

Models	<p>AXIS Q3505-V 9 mm: Indoor, Lightfinder, IK10 impact resistance, 2.3 MP/HDTV 1080p, 3-9 mm lens</p> <p>AXIS Q3505-V 22 mm: Indoor, IK10 impact resistance, 2.3 MP/HDTV 1080p, 9-22 mm lens</p> <p>AXIS Q3505-V/-VE 9 mm: Outdoor, Lightfinder, IK10+ impact resistance, 2.3 MP/HDTV 1080p, 3-9 mm lens</p> <p>AXIS Q3505-VE 22 mm: Outdoor, IK10+ impact resistance, 2.3 MP/HDTV 1080p, 9-22 mm lens</p>	<p>Color: 0.28 lux, F1.6; B/W: 0.06 lux, F1.6</p> <p>HDTV 1080p 50/60 fps: Color: 0.56 lux, F1.6; B/W: 0.11 lux, F1.6</p>
Camera		
Image sensor	Progressive scan RGB CMOS 1/2.8"	
Lens	<p>Varifocal, Remote focus and zoom, P-Iris control, IR corrected, Megapixel resolution</p> <p>AXIS Q3505-V/-VE 9 mm: Horizontal angle of view: 3 - 9 mm, 105° - 35°, F1.3</p> <p>AXIS Q3505-V/-VE 22 mm: Horizontal angle of view: 9 - 22 mm, 33° - 16°, F1.6</p>	
Day and night	Automatically removable infrared-cut filter	
Minimum illumination	<p>AXIS Q3505-V/-VE 9 mm: HDTV 1080p 25/30 fps with WDR - Forensic Capture and Lightfinder: Color: 0.18 lux, F1.3; B/W: 0.04 lux, F1.3</p> <p>HDTV 1080p 50/60 fps: Color: 0.36 lux, F1.3; B/W: 0.08 lux, F1.3</p> <p>AXIS Q3505-V/-VE 22 mm: HDTV 1080p 25/30 fps with WDR - Forensic Capture:</p>	
Shutter time	1/142850 s to 2 s	
Camera angle adjustment	Pan 360°, Tilt -5° to 90° (0° = Parallel to camera mount/bottom), Rotation ±95°	
Video		
Video compression	H.264 (MPEG-4 Part 10/AVC) Baseline, Main and High profiles Motion JPEG	
Resolutions	1920x1200 (WUXGA) to 160x90	
Frame rate	<p>HDTV 1080p (1920x1080) with WDR: 25/30 fps with power line frequency 50/60 Hz</p> <p>HDTV 1080p (1920x1080) without WDR: 50/60 fps with power line frequency 50/60 Hz</p> <p>WUXGA (1920x1200) without WDR: 25/30 fps with power line frequency 50/60 Hz</p>	
Video streaming	Multiple, individually configurable streams in H.264 and Motion JPEG, Controllable frame rate and bandwidth, VBR/MBR H.264	
Image settings	<p>Compression, Color, Brightness, Sharpness, Contrast, White balance, Exposure control, Exposure zones, Backlight compensation, Fine tuning of behavior at different light levels</p> <p>WDR - Forensic Capture: Up to 120 dB depending on scene</p> <p>Electronic Image Stabilization, Barrel distortion correction</p>	

	Rotation: 0°, 90°, 180°, 270°, auto, including Corridor Format Text and image overlay, Privacy masks, Mirroring of images
Pan/Tilt/Zoom	Digital PTZ, Optical zoom, Preset positions AXIS Q3505-V/-VE 9 mm: 3x optical zoom and 2x digital zoom AXIS Q3505-V/-VE 22 mm: 2.4x optical zoom and 2x digital zoom
Audio	
Audio streaming	Two-way
Audio compression	AAC LC 8/16/32 kHz, G.711 PCM 8 kHz, G.726 ADPCM 8kHz, Configurable bitrate
Audio input/output	External balanced/unbalanced microphone input or line input, Line output
Network	
Security	Password protection, IP address filtering, IEEE 802.1X network access control ^a , HTTPS ^a encryption, Digest authentication, User access log
Supported protocols	IPv4/v6, HTTP, HTTPS, SSL/TLS ^a , QoS Layer 3 DiffServ, FTP, CIFS/SMB, SMTP, Bonjour, UPnP™, SNMPv1/v2c/v3(MIB-II), DNS, DynDNS, NTP, RTSP, RTP, TCP, UDP, IGMP, RTCP, ICMP, DHCP, ARP, SOCKS, SSH
System integration	
Application Programming Interface	Open API for software integration, including VAPIX® and AXIS Camera Application Platform; specifications at www.axis.com AXIS Video Hosting System (AVHS) with One-Click Camera Connection ONVIF Profile S; specification at www.onvif.org
Intelligent video	Video motion detection, Active tampering alarm, Audio detection, Gatekeeper, AXIS Camera Application Platform (ACAP) enabling installation of additional applications
Event triggers	Intelligent video, External input, Edge storage events, Shock detection
Event actions	File upload: FTP, HTTP, network share and email Notification: email, HTTP and TCP External output activation, Pre- and post-alarm video buffering, Video and audio recording to edge storage, Play audio clip, Zoom preset, Overlay text, Send SNMP trap
Data streaming	Event data
Built-in installation aids	Remote zoom, Remote focus, Pixel counter, Leveling assistant, Auto rotation
General	
Casing	AXIS Q3505-V: IP52-rated, IK10 impact-resistant casing with polycarbonate dome, aluminum base and dehumidifying membrane AXIS Q3505-VE: IP66/67- and NEMA 4X-rated, IK10+ (50 joules) impact-resistant casing with polycarbonate dome, aluminum base and dehumidifying membrane

	Casing Color: White NCS S 1002-B For repainting instructions of casing or skin cover and impact on warranty, contact your Axis partner
Memory	512 MB RAM, 128 MB Flash
Power	Power over Ethernet (PoE) IEEE 802.3af/802.3at Type 1 AXIS Q3505-V: Class 2, max. 5.5 W AXIS Q3505-VE: Class 3, max. 11.4 W When powered by the optional AXIS T8051 Power Converter AC/DC to DC: 12.4 W at 12 V DC, 21.3 VA at 24 V AC
Connectors	RJ45 10BASE-T/100BASE-TX PoE, Terminal block for two configurable inputs/outputs (12 V DC output, max. load 50 mA), 3.5 mm mic/line in, 3.5 mm line out
Edge storage	microSD/microSDHC/microSDXC slot supporting memory card up to 64 GB (card not included). Support for recording to dedicated network-attached storage (NAS)
Operating conditions	AXIS Q3505-V: -10 °C to 50 °C (14 °F to 122 °F) Humidity 10 - 85% RH (non-condensing) AXIS Q3505-VE: -40 °C to 60 °C (-40 °F to 140 °F) Humidity 10 - 100% RH (condensing)
Approvals	IEC/EN/UL 60950-1, EN 55022 Class B, EN 55024, IEC/EN 61000-6-1, IEC/EN 61000-6-2, FCC Part 15, Subpart B, Class B, ICES-003 Class B, VCCI Class B, C-tick AS/NZS CISPR 22 Class B, KCC KN22 Class B, KN24, IEC 60068-2-1, IEC 60068-2-2, IEC 60068-2-6, IEC 60068-2-14, IEC 60068-2-27, IEC 60068-2-60, IEC 60068-2-78, EN 50121-4, IEC 62236-4 AXIS Q3505-V: IEC 60068-2-52, IEC/EN 60529 IP52, IEC/EN 62262 IK10 AXIS Q3505-VE: IEC/EN/UL 60950-22, IEC/EN 60529 IP66/67, ISO 20653 IP6K9K, NEMA 250 Type 4X, IEC/EN 62262 IK10+ (50J), EN 61000-3-2, EN 61000-3-3
Weight	AXIS Q3505-V: 1.2 kg (2.6 lb) AXIS Q3505-VE: 1.8 kg (3.97 lb) with weather shield
Included accessories	Installation Guide, Installation and Management Software CD, Windows decoder 1-user license, Mounting bracket, Drill hole template, Cable gaskets, Resistorx T20 L-key, I/O connector AXIS Q3505-VE: Weather shield, Axis U-shape conduit adapter
Video management software	AXIS Camera Companion (included), AXIS Camera Station and video management software from Axis' Application Development Partners (not included). For more information, see www.axis.com/products/video/software
Warranty	Axis 3-year warranty and AXIS Extended Warranty option, see www.axis.com/warranty

a. This product includes software developed by the OpenSSL Project for use in the OpenSSL Toolkit. (www.openssl.org), and cryptographic software written by Eric Young (ey@cryptsoft.com).

More information is available at www.axis.com