



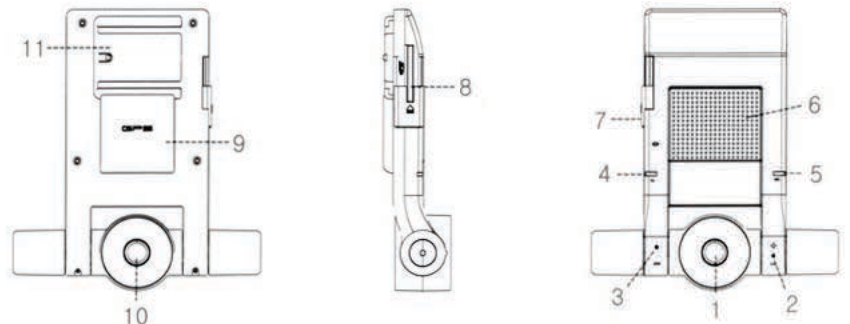
# > Dual camera, GPS Recording System

## Mobile Vehicle Viewer and Tracker

The Mobile Viewer & Tracker is a state of the art mobile DVR which records images inside and in front of the vehicle. This system has a perfect array of features, starting with the dual camera that faces forward and looks into the car with four (4) bright LEDs, in order to record in low-light situations.

This unit has built-in G-Shock sensor that has five (5) level settings and can record multiple impact points. This is useful for if your vehicle is in an accident, the unit will sense the drastic change in g-force, and automatically log the recordings. The unit has a built-in GPS receiver that logs your exact location, speed, and direction.

To review the recording, simply remove the SD card from the unit, and insert into the provided SD card reader. The SD Card reader plugs into your USB port, and comes with the pre-loaded software to view the recordings. While you are watching the recording, press the Map button on the software, and a screen will open with a Google map that pinpoints the location based on the GPS data.



No.	Name	Description
1	Indoor camera	Takes internal images of the vehicle (Optional).
2	Volume button	Adjusts volume of the voice instruction.
3	Mode selection button	Optional recording/ internal recording (2ch) selection switch.
4	Power LED	Indicates if power is on.
5	Activity LED	Indicates the status of activity.
6	Speaker	Voice instruction.
7	Power jack	External power connection terminal.
8	SD card slot	Stores the recorded data to SD card.
9	GPS Module	Receives satellite location information.
10	Forward camera	Takes images of forward areas of the vehicle.
11	Holder slot	For attaching the holder to the vehicle.

## > Soft Viewer

Camera 1 (Front View)

Camera 2 (Front View)

G-Sensor (X/Y/Z)

Speed (KM/H or MI/H)

Direction (E/W/S/N)

Coordination

(Latitude&Longitude)

Map from Google

## Features

Dual Camera (1.3 Mega Pixels / 2CH Display)

Built-in GPS & G-Sensor

Emergency or Continuous Recording

Paying Images and Audio Data

SD Memory Card

Play VGA

Battery Monitoring

