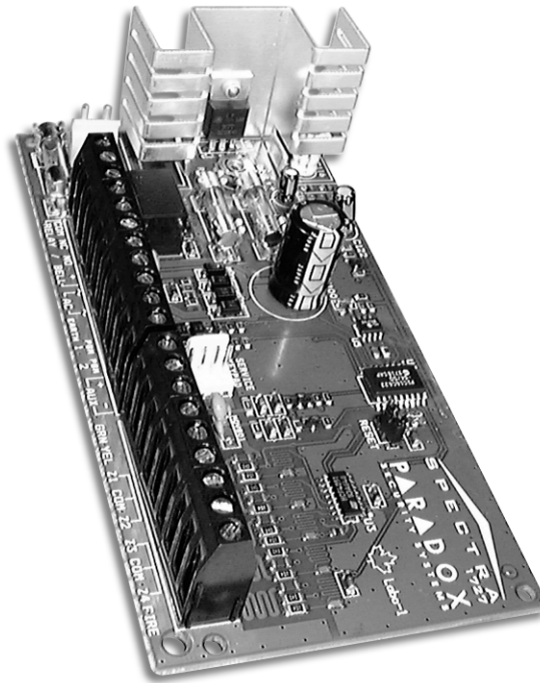


**S P E C T R A™**



**SPECTRA 1727 V1.10**



1727

# **COMPLETE INSTALLATION MANUAL**

Reference, Installation and Programming

**P ▲ R ▲ D O X®**  
**S E C U R I T Y S Y S T E M S**

---



# TABLE OF CONTENTS

<b>Introduction</b>	<b>2</b>
Features	2
Specifications	2
Spectra 1727 Control Panel	2
Spectra 1686H and 1686V 10-Zone LED Keypads	2
Programming Methods	2
Single Digit Entry Method	2
Multiple Feature Select Programming Method	2
<b>Installation</b>	<b>2</b>
Location and Mounting	2
Earth Ground	2
AC Power	3
Backup Battery	3
Auxiliary Power Terminals	3
Bell Output Connections	3
Programmable Output (PGM) Connections and Programming	3
Zone Inputs	4
Keypad Installation	4
Keypad Zone Installation	4
Keypad Tamper	4
<b>Zone Programming</b>	<b>5</b>
Zone Options	5
Entry Delay	5
Bypass Enabled Zone	5
Stay Zone	5
24-Hour Burglary Zone	5
Instant Zone	5
Follow Zone	5
Fire Zone Programming	6
Zone Speed	6
<b>System Options</b>	<b>6</b>
Exit Delay Timer	6
Entry Delay Timer	6
Bell Cut-off Timer	6
Panic Alarm	6
Arming options	6
Auto Force Arming	6
One-touch Arming	7
Stay Arming with Delay	7
Reset Jumper	7
Bell Relay Option	7
<b>Access Codes</b>	<b>7</b>
Access Code Length	7
Installer Code	7
System Master Code	7
User Access Codes	8
<b>User Operation</b>	<b>8</b>
Disarming & Deactivating an Alarm	8
Regular Arming	8
Stay Arming	8
Force Arming	8
Bypass Programming	8
Bypass Recall	9
User Access Codes	9
Panic Alarms	10
Alarm Memory Display	10
Programming Chime Zones	10
Keypad Muting	10
<b>Programming Guide</b>	<b>10</b>
<b>Hardware Connections</b>	<b>13</b>

# INTRODUCTION

## 1.1 FEATURES

- 6 Programmable Zones: 4 Zones, 1 Keypad Zone, 1 Fire/24Hr. Burglary Zone
- 1 Installer Code and 8 User Codes (1 System Master and 7 User Codes)
- 2 Programmable Outputs
- Regular Arming, Stay Arming, Force Arming, One-touch Arming, and Bypass Programming
- 5A Relay
- Keypad Activated Panic Alarm

## 1.2 SPECIFICATIONS

### 1.2.1 SPECTRA 1727 CONTROL PANEL

AC Power:	16Vac transformer with 20VA rating, 50/60Hz
Battery:	12Vdc, 4Ah
Aux. Power:	12Vdc output, 400 mA max., shutdown at 1A (fused)
Bell Output:	1A, shutdown at 3A (fused)
Battery Output:	fused at 5A
PGM1 Output:	50mA maximum, 30mA recommended
PGM2 Output:	50mA maximum, 30mA recommended

### 1.2.2 SPECTRA 1686H AND 1686V 10-ZONE LED KEYPADS

Power Input:	9-16Vdc
Zones:	1 Standard Keypad Zone
Current Consumption:	62 to 116mA

## 1.3 PROGRAMMING METHODS

Use the Programming Guide on page 10 to keep track of how the sections were programmed. We recommend that you read this entire manual before you begin programming.

### How Do I Enter Control Panel Programming Mode?

- STEP 1: Press **[ENTER]**
- STEP 2: Enter your **[INSTALLER CODE]** (default: 0000/000000)
- STEP 3: Enter the 2-digit **[SECTION]** you wish to program
- STEP 4: Enter the required **[DATA]**

### 1.3.1 SINGLE DIGIT ENTRY METHOD

*Single Digit Data Entry* is used in sections **[10]**, **[11]**, **[12]** and **[13]**. After entering Programming Mode as described in the shaded box above, in sections **[10]** to **[12]** you will enter a Decimal value from 00 to 99 representing seconds and in section **[13]** you will enter two single digits each representing a PGM option. The required data will be explained in the respective sections of this manual. Once you have entered the required data, the control panel will save and exit the section, which returns programming to STEP 3.

### 1.3.2 MULTIPLE FEATURE SELECT PROGRAMMING METHOD

*Multiple Feature Select Programming* is used in sections **[14]**, **[15]**, **[16]**, **[17]**, **[18]**, **[19]**, and **[20]**.

For sections **[14]**, **[15]**, **[16]**, **[17]**, and **[18]** each key from **[1]** to **[6]** represents a zone from **[1]** to **[6]**.

For sections **[19]** and **[20]** each key from **[1]** to **[8]** represents an option.

After entering Programming Mode as described in the shaded box above, press the key corresponding to the desired zone or option and the corresponding key will illuminate<sup>†</sup>. This means it is selected. When you press the key again, it will extinguish and it will no longer be selected. Press the keys as many times as you need to select the desired zones or options. Press the **[ENTER]** key to save.

<sup>†</sup>patented. See page 15.

# INSTALLATION



This equipment must be installed and maintained by qualified service personnel only.

## 2.1 LOCATION AND MOUNTING

Refer to the connection drawing on page 13. Push the four white nylon mounting studs into the back of the cabinet before mounting it to the wall. Pull all cables into the cabinet and prepare them for connection before attaching the circuit board to the studs. The installation site should be dry, close to an AC source and ground connection, and not easily accessible to intruders. Leave at least 2" (5cm) around the cabinet to permit adequate ventilation and heat dissipation.

## 2.2 EARTH GROUND

Connect the EARTH terminal from the control panel to the cabinet and cold water pipe or grounding rod as required by local electrical codes.

### 2.3 AC POWER

Do not use switch-controlled outlets to power the transformer. Connect the 16.5VAC 40VA transformer as shown in Figure 8-1: PCB Layout on page 13.

### 2.4 BACKUP BATTERY

Complete all the wiring before connecting AC power and the battery. After establishing AC power, connect the 12VDC 4Ah rechargeable acid/lead or gel cell backup battery by connecting the red battery lead to the positive battery terminal (RED) and the black battery lead to the negative battery terminal (BLK) as shown in Figure 8-1: PCB Layout on page 13. When installing, verify proper polarity as reversed connections will blow the fuse.

### 2.5 AUXILIARY POWER TERMINALS

The auxiliary power supply terminals provide 400mA and can be used to power motion detectors and keypads in the security system. A 1A fuse protects the power supply against current overload, which must be replaced if the current exceeds 1A. Therefore, the combined current consumption of devices connected to the auxiliary power supply should not exceed 1A.

Modules	Current Consumption
Spectra 1686H and 1686V 10-zone LED Keypad†	62mA typical    116mA maximum
Motion Detectors (see detector's instructions for details) †patented. See page 15	10 to 50mA typical

### 2.6 BELL OUTPUT CONNECTIONS

Bells, sirens and other warning devices requiring a steady voltage output during alarms are powered by the bell relay and the bell output, which is protected by a 3A fuse. Connect the siren's positive lead to the panel's BELL + terminal, the negative lead to the relay output NO or NC terminals, and connect a wire from the relay's COM terminal to the AUX - terminal (see Figure 8-1: PCB Layout on page 13). Also, see *Bell Relay Option* on page 7.

### 2.7 PROGRAMMABLE OUTPUT (PGM) CONNECTIONS AND PROGRAMMING

#### Section [13]

The Spectra 1727 control panel includes two programmable outputs (PGMs) that provide a maximum of 50mA each. When a specific event occurs in the system, a PGM can reset smoke detectors, activate strobe lights, open/close garage doors and much more. Connect the PGMs according to Figure 8-3: PGM Connections on page 14.

In section [13] you program the event that will trigger the PGMs. The PGM will remain activated as long as the event is occurring. The first digit in the section controls PGM 1 and the second digit controls PGM 2. The available events are listed in Table 2 on page 4. For example, if you want to program PGM 1 to activate during the Exit Delay and PGM2 to activate during an alarm, in section [13] program [0] then [5]. The default is set at 3/3 (PGM1 and PGM2 activate when the [PG] key is pressed).

**Table 1: PGM Events**

PGM Event	Description
<i>Exit Delay</i>	The PGM activates during the Exit Delay.
<i>Armed</i>	The PGM activates while the system is armed.
<i>Ready</i>	The PGM activates while the READY LED is illuminated.
<i>“PG” Key</i>	The PGM activates when the PG key is pressed and deactivates when the key is pressed again.
<i>Fire Alarm</i>	The PGM activates during a Fire Alarm.
<i>Audible Alarm</i>	The PGM activates during any alarm.
<i>Strobe</i>	The PGM activates while the ARM LED flashes in alarm.
<i>Entry Delay/Exit Delay/Alarm</i>	The PGM activates during the Entry Delay, the Exit Delay and during an alarm.
<i>Exit Delay/Armed</i>	The PGM activates during the Exit Delay or while the system is armed.
<i>Entry Delay/Alarm</i>	The PGM activates during the Entry Delay or during an alarm.
<i>Regular Armed</i>	The PGM activates while the system is Regular Armed.

**Table 2: PGM Options**

Option	PGM 1 Events First Digit	PGM 2 Events Second Digit
[0]	<i>Exit Delay</i>	<i>Exit Delay</i>
[1]	<i>Armed</i>	<i>Armed</i>
[2]	<i>Ready</i>	<i>Ready</i>
[3]	<i>“PG” Key</i>	<i>“PG” Key</i>
[4]	<i>Fire Alarm</i>	<i>Fire Alarm</i>
[5]	<i>Alarm</i>	<i>Alarm</i>
[6]	<i>Strobe</i>	<i>Strobe</i>
[7]	<i>Entry Delay/Exit Delay/Alarm</i>	<i>Entry Delay/Exit Delay/Alarm</i>
[8]	<i>Exit Delay/Armed</i>	<i>Entry Delay/Alarm</i>
[9]	<i>Regular Arming</i>	<i>Entry Delay/Alarm</i>

## 2.8 ZONE INPUTS

Detection devices such as motion detectors and door contacts are connected to the control panel's zone input terminals labelled Z1, Z2, Z3, Z4 and FIRE as shown in Figure 8-2: Zone Connections on page 14. Once the zones are connected, the associated zone's parameters must be defined. For more information, please refer to *Zone Programming* on page 5.

The FIRE input, which is recognized as zone 6, can be connected as a fire zone or a 24-hour burglary zone. Fire zones must use a 1kΩ EOL resistor. If a line short occurs or if the smoke detector becomes active, whether the system is armed or disarmed, the control panel will generate an alarm on this zone.

## 2.9 KEYPAD INSTALLATION

Only the 1686V and the 1686H Spectra Keypads are compatible with the Spectra 1727 control panel. Remove the keypad's back cover and wire the GRN, YEL, RED, and BLK terminals to the corresponding terminals on the control panel as shown in Figure 8-1: PCB Layout on page 13.

## 2.10 KEYPAD ZONE INSTALLATION

The keypad has one zone input terminal that allows you to connect one motion detector or one door contact directly to the keypad. The keypad zone is recognized as zone 5. Only one keypad zone can be used per Spectra 1727 control panel. The keypad communicates the status of the keypad zone to the control panel once the device is connected as shown in Figure 8-1: PCB Layout on page 13 and the zone's parameters are defined (see section 3.2). For example, a door contact located at the front door can be wired directly to the input terminal of the keypad instead of wiring it back to the control panel.

## 2.11 KEYPAD TAMPER

If the keypad has a tamper switch, the state of the tamper is displayed on zone 5. The control panel cannot differentiate between the open keypad zone and an open keypad tamper.

# ZONE PROGRAMMING

## 3.1 ZONE OPTIONS

### Sections [14], [15], [16], [17], and [18]

Each section from [14] to [18] represents a specific Zone Option. Enter the desired section and use Multiple Feature Select Programming to select the zones from 1 to 5 that will be programmed with the Zone Option. Zone 6 is programmed as a 24-Hour Burglary Zone or a Fire Zone only (see section 3.2). To select a zone press the corresponding key. Selected zones will illuminate. For example, if you want zone 2 to be a Stay Zone, in section [18] press the [2] key to illuminate it. To remove the option from the zone, press the key corresponding to the zone so the key extinguishes.

**Table 3: Zones**

Control Panel Inputs	Zone Number	Key
Z1	Zone 1	[1]
Z2	Zone 2	[2]
Z3	Zone 3	[3]
Z4	Zone 4	[4]
Keypad Zone/Keypad Tamper	Zone 5	[5]
Fire	Zone 6	[6]

### 3.1.1 ENTRY DELAY

Zones that are **not** selected in sections [15] to [17] will be defined with the Entry Delay Option. For example, if you want Zone 1 to be programmed with the Entry Delay Option, make sure key [1] is **not** illuminated in sections [15], [16] and [17]. The Entry Delay Timer is programmed in section [11] (see section 4.2). All zones are Entry Delay by default.

### 3.1.2 BYPASS ENABLED ZONE

#### Section [14]

When using the *Bypass Programming* feature or *Force Arming* (see section 6.4), only zones with the option Bypass Enabled can be bypassed. Select the zones from 1 to 5 to be Bypass Enabled. Zone 6 is a 24-Hour Zone or a Fire Zone (see section 3.2) and cannot be Bypass Enabled.

### 3.1.3 STAY ZONE

#### Section [18]

Zones with the Stay Zone option enabled will be bypassed when the system is *Stay Armed* (see section 6.3). Select the zones from 1 to 6 to be Stay Zones.

**The Zone Options 24-Hour Zone, Instant Zone and Follow Zone cannot be programmed on the same zone. Each zone can be programmed with only one of these Zone Options:**

### 3.1.4 24-HOUR BURGLARY ZONE

#### Section [15]

Whenever a 24-Hour Burglary Zone opens, whether the system is armed or disarmed, the control panel will immediately generate an alarm. Select the zones from 1 to 5 to be 24-Hour Zones. Zone 6 is already a 24-Hour Zone or a Fire Zone (see section 3.2). Also, refer to *Zone Speed* (see section 3.3).

### 3.1.5 INSTANT ZONE

#### Section [16]

When an armed Instant Zone opens, the control panel immediately generates an alarm. Instant Zones are commonly used for windows, patio doors, skylights and other perimeter type zones. Select zones from 1 to 5 to be Instant Zones. Zone 6 is a 24-Hour Zone or a Fire Zone (see section 3.2) and cannot be programmed as an Instant Zone. Also, refer to *Zone Speed* (see section 3.3).

### 3.1.6 FOLLOW ZONE

#### Section [17]

When an armed Follow Zone opens, the control panel will immediately generate an alarm, unless an Entry Delay zone opens first:

- If an armed Follow Zone opens after an Entry Delay zone opens, the control panel waits until the Entry Delay Timer has elapsed before generating an alarm. If the system is disarmed during the Entry Delay, the alarm is cancelled.
- If an armed Follow Zone opens after more than one Entry Delay zone opens, the control panel will wait until the Entry Delay Timer of the zone that opened first has elapsed before generating an alarm. If the system is disarmed during the Entry Delay, the alarm is cancelled.

This feature is commonly used when a motion detector is protecting the area occupied by the entry point keypad. This will prevent the motion detector from causing an alarm when a user enters through the entry point to disarm the system. Select the zones from 1 to 5 to be Follow Zones. Zone 6 is a 24-Hour Zone or a Fire Zone (see section 3.2) and cannot be programmed as a Follow Zone. Also, refer to *Zone Speed* (see section 3.3).

### 3.2 FIRE ZONE PROGRAMMING

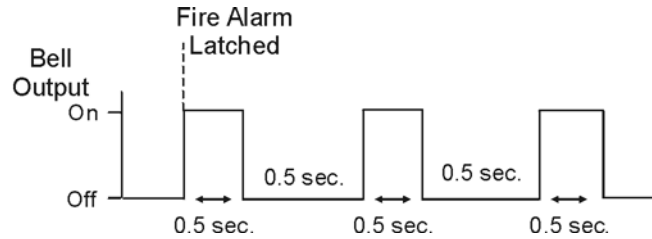
#### Section [20] option [4]

When option [4] is disabled, the control panel will recognize the zone as a 24Hr. Burglary Zone (see section 3.1.4). When option [4] is enabled, the control panel will recognize zone 6 as a *Fire Zone*, enabling smoke detectors connected as shown in Figure 8-2: Zone Connections on page 14. Fire zones must use a 1kΩ EOL resistor. If there is a line short or if the smoke detector becomes active, whether the system is armed or disarmed, the control panel will generate an alarm. Alarms are always audible, regardless of other settings. Fire alarms will generate an intermittent (pulsed) bell/siren output signal as demonstrated in *Figure 3-1: Bell Output during Fire Alarm*.

Option [4] OFF: Zone 6 is a 24Hr. Burglary Zone (default)

Option [4] ON: Zone 6 is a Fire Zone

**Figure 3-1: Bell Output during Fire Alarm**



### 3.3 ZONE SPEED

#### Section [19] option [1]

The Zone Speed defines how quickly the control panel will respond to an open zone. The control panel will not display an open zone on the keypad or generate an alarm until the programmed Zone Speed has elapsed. All other zone definitions and options do not come into effect until the Zone Speed has elapsed. This feature prevents any momentary glitches from causing an alarm.

Option [1] OFF: Zone Speed is 600ms (slow) (default)

Option [1] ON: Zone Speed is 20ms (fast)



It is recommended to avoid using option [1] ON for Keypad Zones.

## SYSTEM OPTIONS

### 4.1 EXIT DELAY TIMER

#### Section [10]

After entering the required arming sequence (i.e. User Access code), the Exit Delay Timer determines the amount of time a user has to leave the protected area before the control panel arms the system. The Exit Delay applies to all zones in the system. The keypad will beep rapidly and the READY LED will flash during the Exit Delay. Key in the desired two-digit value from 00 to 99 seconds into section [10] (30 seconds by default).

### 4.2 ENTRY DELAY TIMER

#### Section [11]

When the system is armed and a zone defined with the Entry Delay Option opens (see section 3.1), the control panel will generate an alarm after the programmed Entry Delay Timer has elapsed if the system is not disarmed. This is to provide users with enough time to enter the protected area and disarm the system. To program the Entry Delay Timer, key in the desired 2-digit delay value (00 to 99 seconds) into section [11] (45 seconds by default). Entry Delay zones are commonly used at the entry/exit points of the protected area (i.e. front/back door, garage, etc.).

### 4.3 BELL CUT-OFF TIMER

#### Section [12]

After an audible alarm, the bell/siren output will deactivate when the system is disarmed or when the Bell Cut-off Timer has elapsed, whichever comes first. Key in the desired two-digit value from 00 to 99 minutes into section [12] (04 minutes by default).

### 4.4 PANIC ALARM

#### Section [19] option [6]

In case of emergency, the *Spectra 1727* system provides one panic alarm. This panic alarm, if enabled, will immediately generate an alarm after pressing and holding the [1] and [3] keys for two seconds. In the Alarm Memory (see section 6.8) the [8] key will illuminate to indicate that someone activated the Panic Alarm.

Option [6] OFF: Panic Alarm is disabled (default)

Option [6] ON: Panic Alarm is enabled

### 4.5 ARMING OPTIONS

#### 4.5.1 AUTO FORCE ARMING

#### Section [19] option [7]

With this feature enabled, the control panel will always Force arm instead of Regular arm regardless of the User Access Code's programming. In installations where the user must Force arm when leaving the protected area, this feature allows users to Force arm without pressing the [FORCE] key before entering their User Access Code.

Option [7] OFF: Auto Force Arming is disabled (default)

Option [7] ON: Auto Force Arming is enabled

#### 4.5.2 ONE-TOUCH ARMING

##### Section [19] options [3] and [5]

The One-touch Arming Feature allows users to Regular or Stay Arm the system without having to enter access codes. To arm the system, press and hold the **[ENTER]** key for approximately 2 seconds. For more information concerning Regular and Stay Arming see section 6.2 and section 6.3.

Option [3] OFF: One-touch Arming is Regular Arming (default)  
Option [3] ON: One-touch Arming is Stay Arming

Option [5] OFF: One-touch Arming is disabled (default)  
Option [5] ON: One-touch Arming is enabled

#### 4.5.3 STAY ARMING WITH DELAY

##### Section [19] option [8]

When Stay Arming (see section 6.3) with this option enabled, all armed zones become Entry Delay zones. For example: the system is Stay Armed and you trigger a motion detector that is not a Stay Zone. Normally the system would go into alarm, but, since all armed zones are Entry Delay Zones, the system starts the Entry Delay Timer to allow you time to disarm the system.

Option [8] OFF: Stay Arming with Delay disabled (default)  
Option [8] ON: Stay Arming with all armed zones as Entry Delay zones

#### 4.6 RESET JUMPER

##### Section [20] option [1]

Performing a jumper reset will clear and reset the Installer Code. To do so:

- 1) Enable option [1] in section [20].
- 2) Remove battery and AC power from the control panel.
- 3) Set the RESET jumper to on by placing a jumper on the RESET pins of the control panel.
- 4) Re-connect AC and battery power to the control panel.
- 5) Wait 10 seconds and remove the jumper.
- 6) Disable option [1] in section [20] (Recommended).

Option [1] OFF: Reset Jumper disabled  
Option [1] ON: Reset Jumper enabled (default)



As a preventive measure, we recommend that you remove the jumper, or turn off option [1] to avoid losing the Installer Code in the case of an unexpected power loss.

#### 4.7 BELL RELAY OPTION

##### Section [20] option [3]

When option [3] is enabled, the Bell Relay remains in its normal state. When an alarm occurs, it will toggle to its opposite state. When option [3] is disabled, the Bell Relay remains in its opposite state. When an alarm occurs, it will toggle to its normal state.

Option [3] OFF: The Bell Relay deactivates upon alarm  
Option [3] ON: The Bell Relay activates upon alarm (default)

## ACCESS CODES

#### 5.1 ACCESS CODE LENGTH

##### Section [19] = System Options

Option [4] OFF: 6-Digit Access Codes (default)  
Option [4] ON: 4-Digit Access Codes

All the access codes can be set to lengths of 4-or 6-digits. When the 4-digit option is selected, entering a 4-digit code will allow access. If the 6-digit option is selected, a 6-digit access code is required. If the Access Code Length is changed from four digits to six digits when access codes have already been programmed, the control panel will automatically add 00 to the end of the code. For example, if the access code is 1234 and you switch to 6 digits, the code will become 123400. Be sure to verify the access codes after switching from 4-digit access codes to 6-digit codes. When switching from six digits to four digits, the control panel will simply remove the final two digits of the access code. For example, 123456 will become 1234.

#### 5.2 INSTALLER CODE (DEFAULT: 0000/000000)

The *Installer Code* is used to enter the control panel's programming mode (see section 1.3) and program section [01] and sections [10] to [20]. The *Installer Code* can be 4 or 6 digits in length (see section 5.1) where each digit can be any value from 0 to 9. The *Installer Code* cannot be used to program the *Master* or *User Access Codes*. To program the *Installer Code* press:

**[ENTER] + [CURRENT INSTALLER CODE] + [01] + new 4- or 6-digit Installer Code**

#### 5.3 SYSTEM MASTER CODE (DEFAULT 1234/123400)

The *System Master Code* can program the *User Access Codes* in sections [02] to [09], but not the *User Code Options* see Table 4 on page 10 since they are pre-programmed and cannot be changed. The *System Master Code* can be 4 or 6 digits in length (see section 5.1), where each digit can be any digit from 0 to 9. To change the *System Master Code* press:

**[ENTER] + [CURRENT SYSTEM MASTER CODE] + [02] + new 4- or 6-digit System Master Code**

## 5.4 USER ACCESS CODES

The **Spectra 1727** supports 9 access codes. Eight access codes are available for the users. Programming User Access Codes is explained in more detail in section *User Access Codes* on page 9.

# USER OPERATION

## 6.1 DISARMING & DEACTIVATING AN ALARM

To disarm an already armed system or to deactivate an alarm simply key in a valid access code. When an entry/exit point is opened (breached), it will set off the *Entry Delay Timer*. The system will not generate an alarm until the *Entry Delay Timer* elapses, giving users enough time to enter the premises and disarm the system. Once the system is disarmed, the alarm is cancelled. Any user can disarm the system, except users assigned Code 7 "Arm Only".

### **How Do I Disarm the System or Deactivate an Alarm?**

Key in your **[ACCESS CODE]**

The ARM1 LED will turn off and the keypad will emit a Confirmation Beep.

## 6.2 REGULAR ARMING

This method, commonly used for day-to-day arming, will arm all the zones in the system. If you make a mistake, the keypad will emit a Rejection Beep. When you have correctly armed the system, the *Exit Delay Timer* will start and the ARM1 LED will turn. *Regular Arming* can also be activated using *One-Touch Arming*.

### **How Do I Regular Arm?**

- 1) Green **READY** LED must be illuminated. All zones in the system must be closed.
- 2) Key in a valid **[ACCESS CODE]**

## 6.3 STAY ARMING

This method allows users to remain in the protected area while partially arming the system. For example, when going to sleep at night, entry/exit points like doors and windows can be armed while other zones like motion detectors remain deactivated. Please note that *Fire Zones* cannot be bypassed.

### **How Do I Stay Arm?**

- 1) All zones except *Stay Zones* must be closed.
- 2) Press the **[STAY]** button
- 3) Key in a valid **[ACCESS CODE]**

If you make a mistake, the keypad will emit a Rejection Beep. When you have correctly *Stay Armed* the system, the *Exit Delay Timer* will start. The ARM1 LED will flash when the *Exit Delay* ends. *Stay Arming* can also be activated using *One-Touch Arming*. User Access Codes must have the *Stay Arming Option* to Stay Arm the system.

## 6.4 FORCE ARMING

*Force Arming* arms the system without waiting for all zones to close. Any open *Bypass Enabled* zones at the time of arming will be ignored by the control panel. If a zone closes while the system is armed, then the control panel will arm the zone so it will generate an alarm if breached. *Force Arming* is commonly used when a motion detector is protecting the area occupied by a keypad. When Force Arming the system and the motion detector detects movement near the keypad, the control panel will ignore the zone and arm the system even if the zone is open.

### **How Do I Force Arm?**

- 1) Press the **[FORCE]** button
- 2) Key in a valid **[ACCESS CODE]**

If you make a mistake, the keypad will emit a Rejection Beep. When you have correctly *Force Armed* the system, the *Exit Delay Timer* will start and the ARM1 LED will turn on. Access Codes must have the *Force Arming* option to Force Arm the system.

## 6.5 BYPASS PROGRAMMING

*Bypass Programming* allows users to program the alarm system to ignore specified zones the next time the system is armed. Please note that *Fire Zones* cannot be bypassed and the zones chosen must be programmed as Bypass Enabled.

**How do I Bypass Zones?**

- 1) Press the **[BYP]** button.
- 2) Key in a valid **[ACCESS CODE]**
- 3) The previously bypassed zones, if any, will illuminate.
- 4) Press the **[ENTER]** key to accept these entries or press the key(s) corresponding to the zones you want to change the press **[ENTER]**.

6.5.1 **BYPASS RECALL**

Bypass Recall allows the user to bypass the same zones that were bypassed previously at the touch of a button.

**How do use Bypass Recall?**

- 1) Press the **[BYP]** button.
- 2) Key in a valid **[ACCESS CODE]+**
- 3) Press the **[BYP]** button.  
If desired, modify entries by pressing the button(s) corresponding to the zones that you want to change.
- 4) Press **[ENTER]**.

6.6 **USER ACCESS CODES**

The **Spectra 1727** supports 9 access codes. Eight access codes are available for the users. The User Code Options are pre-programmed as shown in *Table 4: "Pre-programmed Options for User Codes"*. The options Regular Arm, Disarm, Bypass Programming, Stay Arm, and Force Arm are explained in more detail in sections 6.1 to 6.5.



Only the Master Code can program the access code's digits.

**How Do I Program Access Codes?**

- 1) Press **[ENTER]**
- 2) Key in the **[MASTER CODE]** (123400 by default)
- 3) Key in 2-digit **[SECTION]** (see the Table below)
- 4) Key in new 4 or 6-digit **[ACCESS CODE]**  
*[ENTER] flashes. Return to step 3 to program another code.*
- 5) Press **[CLEAR]** to exit

**How Do I Delete Access Codes?**

- 1) Repeat steps 1 to 3 (see above)
- 2) Press the **[FORCE]** button once for each digit in the access code (4 or 6 times) until the keypad emits a Confirmation Beep.

**Table 4: Pre-programmed Options for User Codes**

Section	User Codes	Can Change Code	Can Reg. Arm	Can Disarm	Can Bypass Arm	Can Stay Arm	Can Force Arm
[01]	Installer Code						
[02]	Master Code	3	3	3	3	3	3
[03]	User Code 01		3	3	3	3	3
[04]	User Code 02		3	3	3	3	3
[05]	User Code 03		3	3	3	3	3
[06]	User Code 04		3	3			
[07]	User Code 05		3	3			
[08]	User Code 06		3	3			
[09]	User Code 07		3				

6.7 PANIC ALARMS

The panic alarm, if programmed, will immediately generate an alarm after pressing and holding the [1] and [3] keys for two seconds (see section 4.4) (disabled by default).

6.8 ALARM MEMORY DISPLAY

A record of the zones that were in alarm the last time the system was armed will be stored in memory. After disarming the system, press the [MEM] button to display the zones that were in alarm. To exit the *Alarm Memory Display*, press the [CLEAR] button. The control panel will erase the contents of the alarm memory every time the system is armed.



Zone [5] will illuminate if an alarm has occurred on the keypad zone or if the keypad's on-board tamper was triggered (see section 2.10). The control panel cannot distinguish the difference between the two. Zone [8] will illuminate if the panic alarm keys (see section 4.4) were pressed.

6.9 PROGRAMMING CHIME ZONES

Press and hold any key from [1] to [5] for 3 seconds to activate or deactivate *Chiming* for zones 1 to 6. For example, press and hold the [1] key to enable chiming on zone 1. If after pressing and holding a key, the keypad emits a confirmation beep, the chime feature has been enabled for that zone. If the keypad emits a rejection beep, the chime feature has been disabled for the corresponding zone.

6.10 KEYPAD MUTING

Press and hold the [CLEAR] button for 3 seconds to enable or disable keypad muting. When muted, the keypad will only beep when a key is pressed and when the keypad emits a rejection or confirmation beep. All other beep functions are disabled.

**PROGRAMMING GUIDE**

To program the *Spectra 1727* control panel, use a keypad to enter the *Programming Mode* as shown below.

**DEFAULT INSTALLER CODE: 0000/000000**  
**DEFAULT SYSTEM MASTER CODE: 1234/123400**

**How Do I Enter Programming Mode?**

- STEP 1: Press [ENTER]
- STEP 2: Enter your [INSTALLER CODE] (default: 0000/000000) or [SYSTEM MASTER CODE] (default: 1234/123400)
- STEP 3: Enter the 2-digit [SECTION] you wish to program
- STEP 4: Enter the required [DATA]

**USER CODES**

Sections [02] to [09] can only be programmed by the System Master Code (see section 5.4).

**Section #**

- [01] *Installer Code*  
**[ENTER] + [CURRENT INSTALLER CODE] + [01] + new 4- or 6-digit Installer Code**

- [02] System Master Code
- [03] User Code 01
- [04] User Code 02
- [05] User Code 03
- [06] User Code 04
- [07] User Code 05
- [08] User Code 06
- [09] User Code 07

*These sections can only be programmed with the System Master Code*

**[ENTER] + [SYSTEM MASTER CODE] + [SECTION] + new 4- or 6-digit code**

## SYSTEM TIMERS

Section #

- [10] \_\_\_/\_\_\_ EXIT DELAY TIMER (00 to 99 seconds) default: 30 seconds
- [11] \_\_\_/\_\_\_ ENTRY DELAY TIMER (00 to 99 seconds) default: 45 seconds
- [12] \_\_\_/\_\_\_ BELL CUT-OFF (00 to 99 minutes) default: 04 minutes

## PGM PROGRAMMING

**How Do I Program the PGMs?**

STEP 1: Press the **[ENTER]** key

STEP 2: Enter the **[INSTALLER CODE]** (Default: 0000/000000)

STEP 3: Enter **[13]**

STEP 4: Enter one digit representing the Activation/deactivation Event for PGM 1.

STEP 5: Enter one digit representing the Activation/deactivation Event for PGM 2.

**Table 5: PGM Programming**

Option	PGM 1 Events First Digit	PGM 2 Events Second Digit
[0]	Exit Delay	Exit Delay
[1]	Armed	Armed
[2]	Ready	Ready
[3]	"PG" Key	"PG" Key
[4]	Fire Alarm	Fire Alarm
[5]	Alarm	Alarm
[6]	Strobe	Strobe
[7]	Entry Delay/Exit Delay/Alarm	Entry Delay/Exit Delay/Alarm
[8]	Exit Delay/Armed	Entry Delay/Alarm
[9]	Regular Arming	Entry Delay/Alarm

[13] \_\_\_/\_\_\_ PGM 1 / PGM 2 (default: 3 / 3)

## ZONE PROGRAMMING

### How Do I Program the Zones?

STEP 1: Press the [ENTER] key

STEP 2: Enter the [INSTALLER CODE] (Default: 0000/000000)

STEP 3: Enter the 2-digit [SECTION] representing the Zone Option (all zones Entry Delay by default)

STEP 4: Select zone(s) by pressing the corresponding key. Illuminated = Zone Option enabled for zone.

STEP 5: Press the [ENTER] key

Section	Zone Options	Inputs:	Z1	Z2	Z3	Z4	Keypad Zone	Fire
		Zones:	1	2	3	4	5	6
		Press Key	[1]	[2]	[3]	[4]	[5]	[6]
[14]	<i>Bypass Enabled</i>							
[15]	<i>24Hr. Burglary*</i>							
[16]	<i>Instant*</i>							
[17]	<i>Follow*</i>							
[18]	<i>Stay Zone</i>							
	<i>Entry Delay</i>	Sections [15], [16] and [17] must be off for the selected zone. Example: for an Entry Delay on zone 1, turn key [1] off in sections [15] to [17].						
	<i>Force Zone</i>	Program the zone as <i>Bypass Enabled</i> (section [14]).						

\*The Zone Options 24-Hour Zone, Instant Zone and Follow Zone cannot be programmed on the same zone. Each zone can be programmed with only one of these Zone Options.

## SYSTEM OPTIONS

**Bold** = Default Setting

### SECTION [19]: System Options

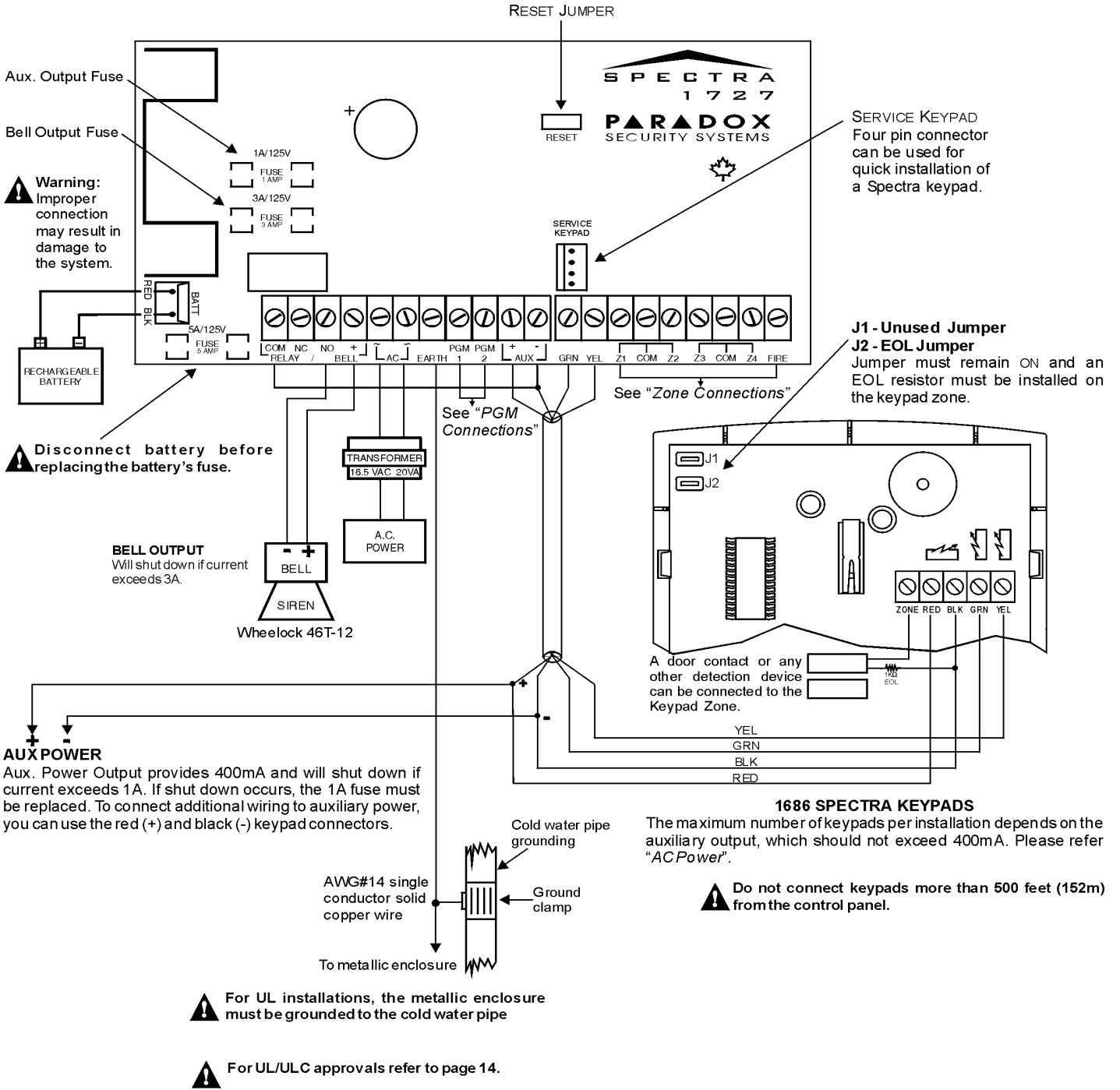
Option	OFF	ON
[1] <i>Zone Speed</i>	<input type="checkbox"/> <b>Slow (600ms)</b>	<input type="checkbox"/> Fast (20ms)
[2] <i>Not used</i>	<input type="checkbox"/> <b>N/A</b>	<input type="checkbox"/> N/A
[3] <i>One-touch Arming (see option [5])</i>	<input type="checkbox"/> <b>Regular Arm</b>	<input type="checkbox"/> Stay Arm
[4] <i>User Code Length</i>	<input type="checkbox"/> <b>6 Digits</b>	<input type="checkbox"/> 4 Digits
[5] <i>One-touch Arming (see option [3])</i>	<input type="checkbox"/> <b>Disabled</b>	<input type="checkbox"/> Enabled
[6] <i>Panic Keys ([1] &amp; [3])</i>	<input type="checkbox"/> <b>Disabled</b>	<input type="checkbox"/> Enabled
[7] <i>Auto Force Arming</i>	<input type="checkbox"/> <b>Disabled</b>	<input type="checkbox"/> Enabled
[8] <i>Stay Arming with all zones as Entry Delay zones</i>	<input type="checkbox"/> <b>Disabled</b>	<input type="checkbox"/> Enabled

### SECTION [20]: System Options

Option	OFF	ON
[1] <i>Reset Jumper</i>	<input type="checkbox"/> Disabled	<input type="checkbox"/> <b>Enabled</b>
[2] <i>Not used</i>	<input type="checkbox"/> <b>N/A</b>	<input type="checkbox"/> N/A
[3] <i>Alarm Relay Output</i>	<input type="checkbox"/> Deactivates on Alarm	<input type="checkbox"/> <b>Activates on Alarm</b>
[4] <i>Zone 6 is defined as</i>	<input type="checkbox"/> <b>24Hr. Zone</b>	<input type="checkbox"/> Fire Zone
[5] <i>Not used</i>	<input type="checkbox"/> <b>N/A</b>	<input type="checkbox"/> N/A
[6] <i>Not used</i>	<input type="checkbox"/> <b>N/A</b>	<input type="checkbox"/> N/A
[7] <i>Not used</i>	<input type="checkbox"/> <b>N/A</b>	<input type="checkbox"/> N/A
[8] <i>Not used</i>	<input type="checkbox"/> <b>N/A</b>	<input type="checkbox"/> N/A

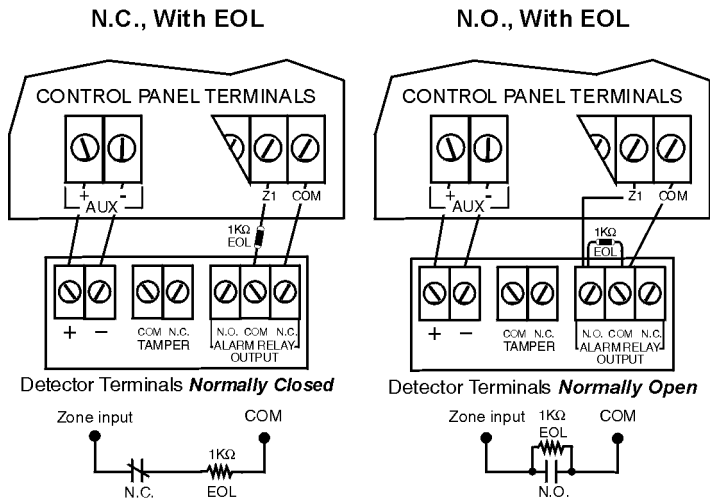
# HARDWARE CONNECTIONS

**Figure 8-1: PCB Layout**

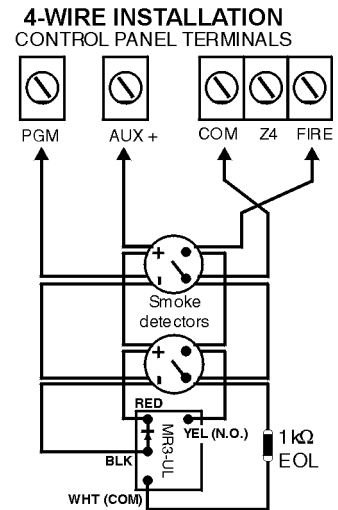


**Figure 8-2: Zone Connections**

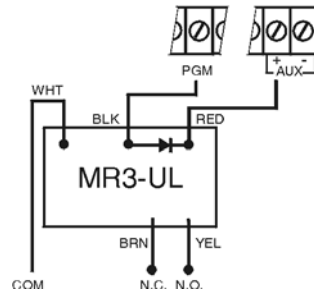
**SINGLE ZONE INPUT CONNECTIONS**



**FIRE ZONE CONNECTION**



**Figure 8-3: PGM Connections**



# **UL and C-UL Warnings**

## **UL AND C-UL INSTALLATION NOTES**

This equipment is UL listed in accordance with standard UL1023 (Household Burglar -- Alarm Systems Units), standard UL985 (Household Fire Warning Units) and standard CAN/C-UL S545 (Residential Fire Warning System Control Units). This equipment has the capability of being programmed with features not verified for use in UL installations. To stay within these standards, the installer should use the following guidelines when configuring the system:

- All components of the system should be UL listed for the intended application.
- If the system will be used for "Fire" detection, the installer should refer to NFPA Standards #72, Chapter 2. In addition, once installation is complete, the local fire authority must be notified of the installation.
- This equipment must be verified by a qualified technician once every three years.
- All keypads must use a tamper switch.
- Maximum allowed entry delay is 45 seconds.
- Maximum allowed exit delay is 60 seconds.
- Minimum 4 minutes for bell cut-off time.
- The following features do not comply with UL requirements: Bypass Recall, Shabbat and "No AC Fail" display.
- Do not connect the primary indicating device to a relay. The installer must use the bell output.
- The metallic enclosure that houses the Spectra control panel must be grounded to the cold water pipe.
- Use a UL/C-UL listed Siren: Wheelock model# 46T-12.
- Use a UL/C-UL listed 12Vdc 4Ah rechargeable battery: YUASA model# NP7-12.
- Transformer requirements: UL listed transformer - 16VAC 40VA
  - UL listed Basler Electronics Transformer - #BE156240CAA
  - CSA listed Basler Electronics Transformer - #BE116240AAA
- The AUX, PGM and Keypad's maximum current cannot exceed 200mA for UL installations.

All outputs are Class 2 or power-limited, except for the battery terminal. The Class 2 and power-limited fire alarm circuits shall be installed using CL3, CL3R, CL3P, or substitute cable permitted by the National Electrical Code, ANSI/NFPA 70.

### **Warranty**

The Seller warrants its products to be free from defects in materials and workmanship under normal use for a period of one year (unless otherwise indicated). Except as specifically stated herein, all express or implied warranties whatsoever, statutory or otherwise, including without limitation, any implied warranty of merchantability and fitness for a particular purpose, are expressly excluded. Because Seller does not install or connect the products and because the products may be used in conjunction with products not manufactured by Seller, Seller cannot guarantee the performance of the security system. Seller obligation and liability under this warranty is expressly limited to repairing or replacing, at Seller's option, any product not meeting the specifications. In no event shall the Seller be liable to the buyer or any other person for any loss or damages whether direct or indirect or consequential or incidental, including without limitation, any damages for lost profits, stolen goods, or claims by any other party caused by defective goods or otherwise arising from the improper, incorrect or otherwise faulty installation or use of the merchandise sold.

### **†Legal Notice**

© 2002-2003 Paradox Security Systems Ltd. All rights reserved. Specifications may change without prior notice. One or more of the following US patents may apply: 5751803, 5721542, 5287111, 5119069, 5077549, Canadian and international patents may also apply. Spectra is a trademark or registered trademark of Paradox Security Systems Ltd. or its affiliates in Canada, the United States and/or other countries.





**P ▲ R ▲ D O X<sup>®</sup>**  
**S E C U R I T Y S Y S T E M S**

780 Industriel Blvd., Saint-Eustache (Quebec), J7R 5V3 CANADA  
Tel.: (450)-491-7444 Fax: (450) 491-2313

[www.paradox.ca](http://www.paradox.ca)

Printed in CANADA - 12/2005

1727EI-03