

SNC-VM600

Network Mini Dome HD Camera – V Series

SONY
make.believe

Mini Dome 720p/60fps Camera Powered by IPELA ENGINE EX™ Technology

- Maximum resolution of 1280 x 1024 pixels with the Exmor™ CMOS sensor
- High Frame rate of 60 fps and three simultaneous streams
- Extremely Wide Dynamic Range to 130dB achieved with View-DR technology
- New video analytics functions including face detection and object removal/left behind
- H.264 (High/Main/Baseline Profile)/JPEG video codecs and AAC (16 kHz/48 kHz)/G.726/G.711 audio codecs
- Minimum illumination of 0.05 lx in Color and 0.04 lx in B/W (50 IRE @ 1/30 sec)



KEY FEATURES

- IPELA ENGINE EX signal processing system developed based on Sony's unique signal processing and video analytics technologies to provide unique features such as a high frame rate, View-DR, XDNR™, and DEPA™ Advanced technologies

IPELA
ENGINE EX

- High frame rate of 60 fps to provide smoother and less blurry moving pictures
- View-DR – Sony's innovative wide dynamic range technology – to capture objects clearly and adaptively even under very harsh, severe backlight or high light conditions

View-DR



OFF



ON

Actual Images

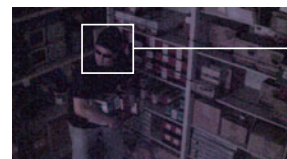
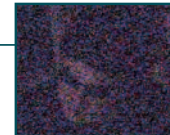
- Visibility Enhancer (VE) to optimize the brightness and color reproduction of an image dynamically on a pixel-by-pixel basis while continuously adapting to the scene within the given dynamic range
- DEPA Advanced Intelligent Video Analytics to trigger an alarm based on user-defined rules
- SD memory card slot for an on-board recording capability¹



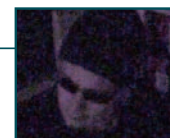
- XDNR (eXcellent Dynamic Noise Reduction) technology for clear images with virtually no motion blur under low illumination



OFF



ON



Actual Images

- True D/N (Day/Night) function to switch to Day or Night mode depending on the light level
- Built-in HTML viewer compatible with most Smartphones
- Easy Focus - allows installer/user to focus the camera remotely using a PC or locally
- Easy Zoom - allows installer/user to change field of view locally or remotely using a PC
- Powered by either PoE (IEEE 802.3af-compliant), AC 24 V ±20%, or DC 12 V ±10% for easy installation
- ONVIF™ (Open Network Video Interface Forum) Profile S conformance software that ensures greater interoperability and more flexibility in building multiple-vendor systems
- VBR (variable bitrate) or CBR (constant bitrate) encoding format selectable to correspond with various network conditions
- Easy initial network settings with supplied SNC Easy IP Setup Guide application
- Image Stabilizer to help minimize the effect of camera shake or vibration for less blurry images

ONVIF

¹ Data recorded on an SD memory card (sold separately) may be lost or damaged by data access during power-off, mechanical shock, memory card detachment, or other operations. Data loss or damage can also occur when a memory card reaches end of life, which varies according to operational conditions. No guarantee is given against damage (including passive damage). The on-board recording function, the intelligent motion detection function and the tamper alarm function cannot be used simultaneously.

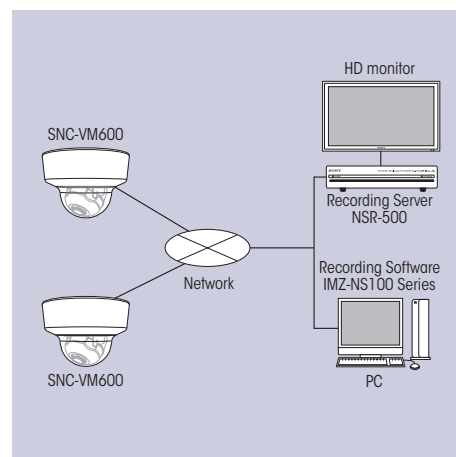
IPELA™

SPECIFICATIONS

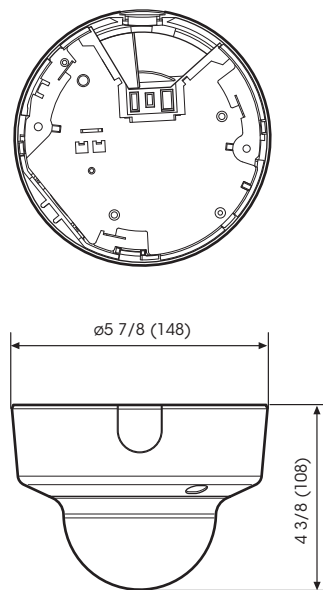
| SNC-VM600 | |
|---|---|
| Camera | |
| Image Sensor | 1/3-type progressive scan Exmor CMOS |
| Image Sensor (Number of Effective Pixels) | Approx. 1.37 Megapixels |
| Signal System | NTSC color system |
| Minimum Illumination (50 IRE) | Color: 0.05 lx (F1.2, View-DR OFF, VE OFF, AGC ON, 1/30 s, 30 fps) B/W: 0.04 lx (F1.2, View-DR OFF, VE OFF, AGC ON, 1/30 s, 30 fps) |
| Minimum Illumination (30 IRE) | Color: 0.03 lx (F1.2, View-DR OFF, VE OFF, AGC ON, 1/30 s, 30 fps) B/W: 0.02 lx (F1.2, View-DR OFF, VE OFF, AGC ON, 1/30 s, 30 fps) |
| Dynamic Range | Equivalent to 130 dB with View-DR technology |
| S/N Ratio | More than 50 dB (Gain 0 dB) |
| Gain | Auto |
| Shutter Speed | 1/1 s to 1/10000 s |
| Sync System | Internal synchronization |
| Exposure Control | Exposure compensation, AGC, Shutter speed, Iris |
| White Balance | ATW, ATW-PRO, Fluorescent lamp, Mercury lamp, Sodium vapor lamp, Metal halide lamp, White LED, One push WB, Manual |
| Lens | Built-in vari-focal lens |
| Powered Zoom | Yes (Easy Zoom) |
| Zoom Ratio | Optical zoom 3x, Digital zoom 2x |
| Powered Focus | Yes (Easy Focus) |
| Horizontal Viewing Angle | 93.0° to 31.6° |
| Vertical Viewing Angle | 50.6° to 17.8° |
| Focal Length | f = 3.0 mm to 9.0 mm |
| F-Number | F1.2 (Wide), F2.1 (Tele) |
| Minimum Object Distance | 300 mm |
| Horizontal Resolution | 600 TV lines (analog video) *2 |
| Preset Position | 8 |
| Tour | 5 |
| Camera Features | |
| Day/Night | Yes |
| Wide-D | Yes (View-DR) |
| Image Enhancement | Visibility Enhancer (VE) |
| Noise Reduction | XDNR technology |
| Image Stabilizer | Yes *4 |
| Image | |
| Codec Image Size (H x V) | 1280 x 1024, 1280 x 960, 1024 x 768, 1280 x 720, 800 x 600, 720 x 576, 720 x 480, 704 x 576, 640 x 480, 352 x 288, 320 x 240 (H.264, JPEG) |
| Video Compression Format | H.264 (High/Main/Baseline Profile), JPEG |
| Codec Streaming Capability | Triple Streaming *1, CBR/VBR (selectable) |
| Maximum Frame Rate | H.264: 60 fps (1280 x 1024) JPEG: 60 fps (1280 x 1024) |
| Audio | |
| Audio Compression Format | G.711/G.726/AAC (16 kHz, 48 kHz) |
| Scene Analytics | |
| Intelligent Motion Detection | Yes |
| Face Detection | Yes *3 |
| Rule-based Filter | DEPA Advanced |
| Network | |
| Protocols | IPv4, TCP, UDP, ARP, ICMP, IGMP, HTTP, DHCP, DNS, NTP, RTP/RTCP, RTSP, SMTP, IP v6 *3, HTTPS, SNMP (MIB-2) |
| ONVIF Conformance | Yes (Profile S) *3 |
| Number of Clients | 20 |
| Authentication | IEEE 802.1X |
| Interface | |
| Analog Video Output | BNC x1, 1.0 Vp-p, 75 Ω, unbalance, sync negative |
| Analog Monitor Output | Phono jack x1 |
| Line Input | Mini jack (monaural) |
| Line Output | Mini jack (monaural), Maximum output level: 1 Vrms |
| Network Port | 10BASE-T/100BASE-TX (RJ-45) |
| Sensor Input | x 2, make contact, break contact |
| Alarm Output | x 2, 24 V AC/DC, 1 A (mechanical relay outputs electrically isolated from the camera) |
| Microphone Input | Mini jack (monaural) |
| Card Slots | SD Card x 1 |
| System Requirements | |
| Operating System | Windows® XP (32 bit) Professional Edition Windows Vista® (32 bit) Ultimate, Business Edition Windows 7 (32/64 bit) Ultimate, Professional Edition |
| Processor | Intel Core i7 2.8 GHz or higher |
| Memory | 2 GB or more |
| Web Browser | Microsoft Internet Explorer® Ver. 7.0, Ver. 8.0, Ver. 9.0 Firefox® Ver. 3.5 (Plug-in free viewer only) Safari® Ver. 4.0 (Plug-in free viewer only) Google Chrome™ Ver. 4.0 (Plug-in free viewer only) |
| General | |
| Power Requirements | PoE system (IEEE 802.3af compliant), DC 12 V ± 10%, AC 24 V ± 20% |
| Power Consumption | 6.0 W max. |
| Operating Temperature | 14°F to 122°F (-10°C to +50°C) |
| Starting Temperature | 32°F to 122°F (0°F to 50°C) |
| Storage Temperature | -4°F to +140°F (-20°C to +60°C) |
| Operating Humidity | 20% to 80% |
| Storage Humidity | 20% to 95% |
| Dimensions (W x H x D) | ø5 7/8 inches x 4 3/8 inches (ø148 mm x 108 mm) |
| Weight | Approx. 1 lb 11 oz (760 g) |
| Safety Regulations | JATE technical standard (LAN) UL2044, IEC60950-1 (CB) VCCI (Class A), FCC (Class A), IC (Class A) Emission: EN55022 (Class A) + EN50130-4 Immunity: EN55022 (Class A) + EN55024 Emission: AS/NZS CISPR22 (Class A) |
| Supplied Accessories | CD-ROM (supplied programs) (1), Installation Manual (1), Template (1), Audio cable (1), I/O cable (1), BNC cable (1), Power input cable (1), Screw M3 (1), Bracket (1), Wire rope (1), Safety regulations (1) |

*1 Triple streaming (any combination with JPEG/H.264, including multiple streams of the same format)
*2 Monitor display ratio 4:3 *3 Version 1.4 or later *4 Default setting: OFF

SYSTEM CONFIGURATION



DIMENSIONS



Unit: inches (mm)