

Adams Rite G100

Digital Glass Door Lock with
Aperio® technology



ASSA ABLOY, the global leader
in door opening solutions



Seamless integration for extending access control to all-glass openings.

The Adams Rite G100 wireless digital glass lock makes extending access control to all-glass doors easy and affordable while maintaining aesthetics. This surface mounted digital glass door locking solution provides greater flexibility and control for interior office space areas without the need to make costly modifications.



Affordable online access control

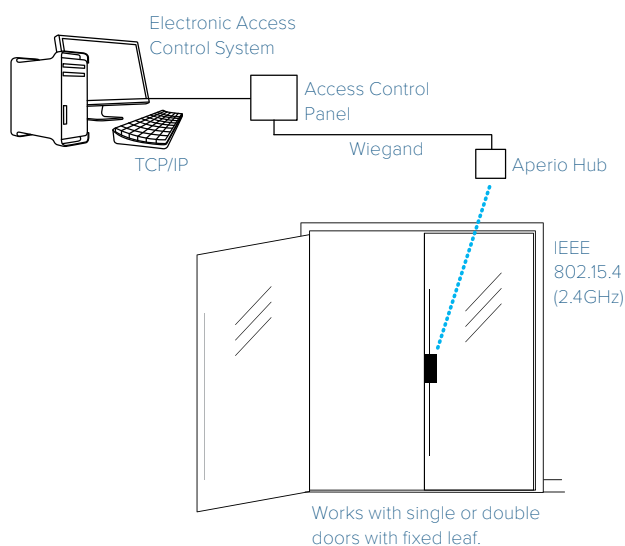
- Sophisticated, encrypted, wireless solution
- Easy surface-mounted bracket installation without the need for any connecting wires or glass modification
- For use with single doors or double doors with fixed leaf

Extends existing access control system

- Leverages existing access control system software and 13.56 MHz credentials
- Minimal field configuration for quick and easy installation
- Patent-pending credential cache ensures access when the lock is offline from the EAC System

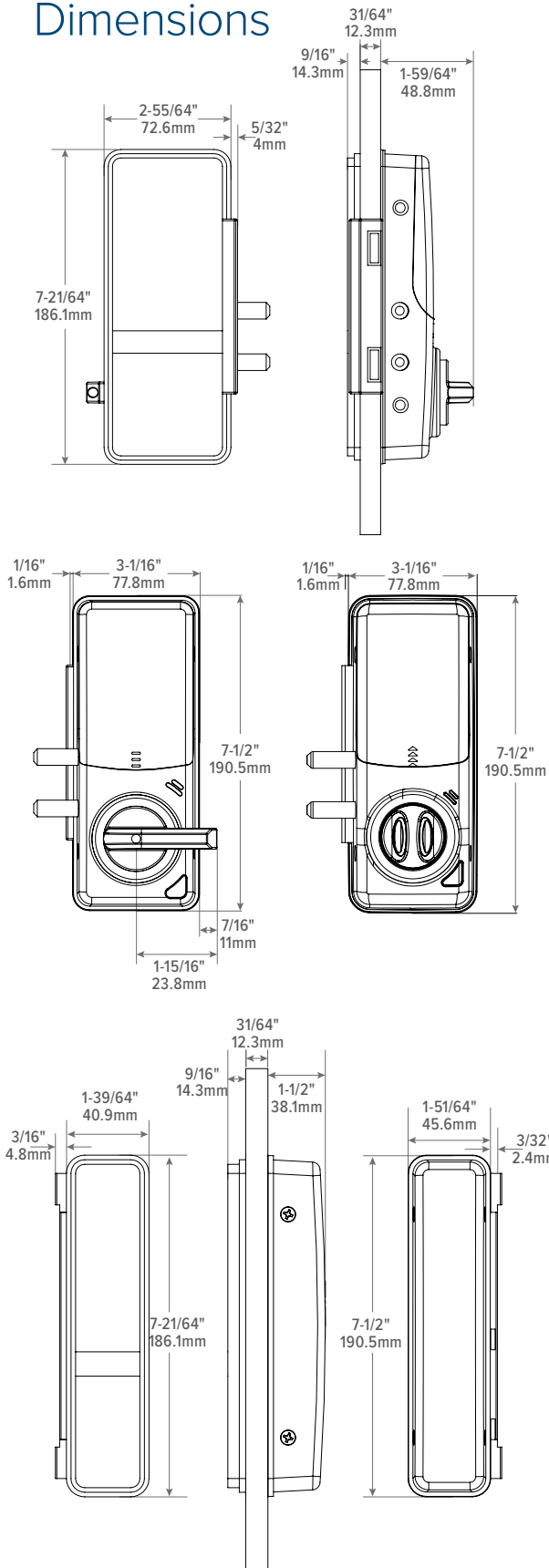
Enhances security for interior doors

- Supports single (card) or dual-factor (card + keypad) authentication
- Real time door status monitoring with REX, DPS, and low battery signals
- Capable of remote lock/unlock commands in less than 10 seconds from host EAC



Dimensions & Specifications

Dimensions



Certifications

FCC Compliant

Features

- Wireless Aperio® technology
- Easy surface-mounted bracket installation for single or double door applications
- No cutting or drilling required
- Real-time door status monitoring with REX, DPS, and low battery signals
- Available with lever option standard to meet accessibility requirements
- Supports single (card only) or dual-factor (card + keypad) authentication
- Patent-pending credential cache ensures access when the lock is functioning in an offline mode independent of the software head end.

Strike

Surface-mounted strike for fixed leaf of double glass doors included

Backset

2-3/8" [60mm]

Door Thickness

3/8" to 1/2" [9 mm to 13 mm] thick glass doors

Lock Body

Satin chrome finish

Front body

9/16" x 2-7/8" x 7-5/16" [14.3 mm x 73 mm x 185.7 mm]

Back body

1-15/16" x 3-1/16" x 7-1/2" [49.2 mm x 77.8 mm x 190.5 mm]

Bolt

Twin bolts measuring 13/32" [10.3 mm] diameter with 1-1/8" [28.6 mm] throw.

Specifications

Wireless Access Control

Minimal field configuration for quick, easy wireless deployments that eliminate the cost and inconvenience of hardwiring the door. Fully-encrypted AES 128 bit wireless communication between the G100 lock and Aperio hub ensures data security. The Aperio wireless hub connects to an access control system with typical Wiegand wiring and additional REX and low battery signaling. The Aperio hub should be mounted within 82' of the desired lock location and through two walls or less.

Operating Temp

5°F to 131°F [-15°C to 55°C]

Electrical

- Powered by (4) x AA Alkaline batteries; 40,000 cycle battery life

Credential Support

13.56 MHz credentials:

- HID iCLASS®
- iCLASS SE® (SIO-enabled)
- iCLASS Seos® (SIO-enabled)
- MIFARE DESFire® SE (SIO-enabled)
- MIFARE Classic
- MIFARE Plus
- MIFARE DESFire EV1
- MIFARE DESFire EV2 (legacy mode)
- MIFARE Ultralite (CSN)
- ISO 14443b UID
- NFC enabled mobile phones

Product Note

Indoor applications only

How to Order

MODEL	DESCRIPTION
G100L	Aperio Glass Door Lock with Accessibility Lever
G100L-DEMO	G100 Mounted Demo with Accessibility Lever