

HES® K100 Series Cabinet Lock

Wireless cabinet lock with Aperio® technology



The flexible integrated solution for extending access control to secure lockers, drawers and doors.

The HES K100 Cabinet Lock comes standard with locked state and tamper monitoring, optional mechanical key override and over 150 lbs of holding force.

The HES K100 supports HID® multiCLASS SE® contactless credentials. It uses local wireless communication between the lock and an Aperio hub to bring access control to cabinet doors and drawers where audit trail and real-time monitoring are required.

NOTE: The HES K100 Cabinet Lock is available as either a pre-paired lock and hub kit (no certification required) or as a field configurable component (requires Aperio® Certified Integrator certification). Pre-paired kits support limited features. Field configured devices are required in order to support all options. Visit IntelligentOpenings.com to learn more.

Features

Standard Features

- For use with swinging and sliding cabinet doors and drawers with a door thickness of up to 2-1/4"
- 2.4 GHz Aperio wireless technology
- Supports HID multiCLASS SE® card technologies
- Supports NFC & BLE mobile credentials
- Integrates with existing access control systems and ID badges
- Audit trail limited by EAC system
- LEDs indicate valid/invalid entries; Red/Amber or Green/Amber
- Integrated locked state and tamper monitoring
- Automatic relock when door is closed and secure
- Non-handed
- Black finish
- Three optional shaft lengths to accommodate up to 2-1/4" door thickness
- SecuriCare three-year, no-fault, no questions asked warranty

Optional Features

- Mechanical key override (sold separately)
- Pinch (P) or Lever (L) Knobs
- Knob shaft lengths:
 - (1) 1/16" to 1/2" (standard)
 - (2) ≥ 1/2" to 1-1/2"
 - (3) ≥ 1-1/2" to 2-1/4"

Accessories

- **OBS-622** Open back strike plate for drawers
- **EXT-10-ANT** Aperio Hub External Antenna (Omni-directional)



SecuriCare
Warranty



Swinging
Door



Drawers



Battery
Backup

Specifications

Certifications

- FCC Part 15 & Industry Canada Compliant
- CE RED – Radio Equipment Directive – 2014/53/EU
- RoHS Compliant

Electrical

- Estimated Battery Life: 50,000 Cycles
- (2) "AA" lithium batteries (included)
 - AA Lithium Batteries required. Use of other types of batteries, such as alkaline, will significantly decrease battery life.
 - Battery voltage monitoring
- microUSB port for emergency power

Holding Force

- Static strength 150 lbs

Environmental

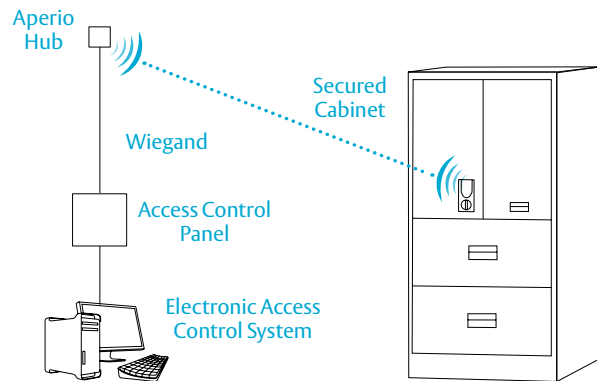
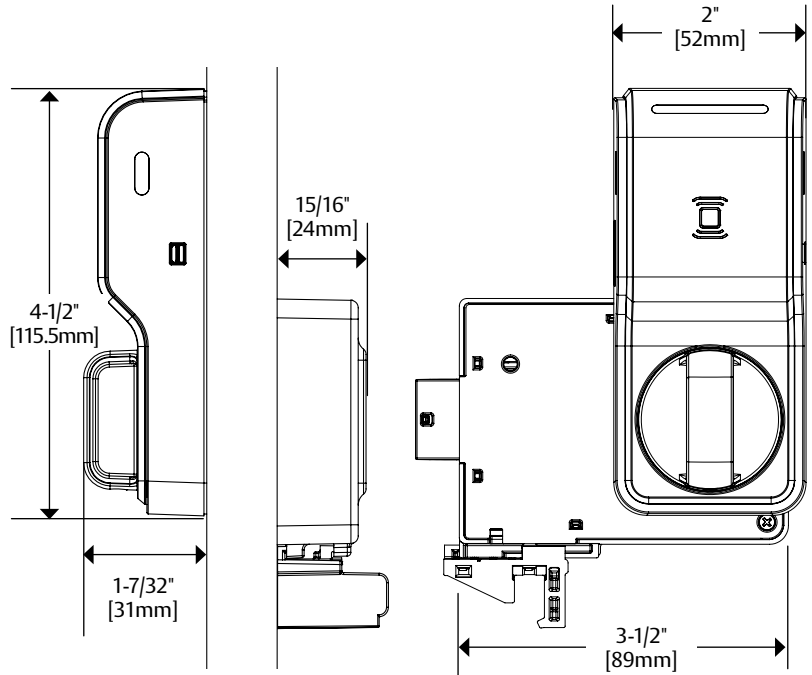
- Operating Temperature: 32° to 122°F [0° to 50°C]
- Tested to meet IP65

Card Technology HID® multiCLASS SE®

- **High Frequency (13.56 MHz)**
 - HID iCLASS®
 - HID iCLASS SE (SIO-enabled)
 - HID iCLASS® Seos™
 - HID MIFARE® SE
 - HID DESFire® EV1 SE
 - MIFARE CLASSIC
 - DESFire® EV1
- **Low Frequency (125 kHz)**
 - HID Prox®
 - AWID
 - EM4102
 - ioProx
- NFC/BLE*-enabled credentials

*Supported on BLE-enabled mobile phones

Dimensions



How to Order

| SERIES | MODEL | CARD TECHNOLOGY | COLOR | KNOB TYPE | SHAFT LENGTH (DOOR THICKNESS) |
|-------------|--|---|----------------|----------------|--|
| K100 | -622 | -IPS | -B | P | 2 |
| | 622 Non-Paired for Doors (standard) | IPS HID Prox®, Kantech ioProx, HID iCLASS®, HID iCLASS SE® (SIO-enabled), HID iCLASS® Seos™, HID MIFARE® SE, HID DESFire® EV1 SE, MIFARE Classic, MIFARE DESFire EV1, NFC-enabled mobile phones | B Black | P Pinch | – (Blank) 1/16" to 1/2" (standard) |
| | 622D Non-Paired for Drawers | | | L Lever | 2 ≥ 1/2" to 1-1/2" |
| | 622H* Factory Paired* for Doors with AH20 1:1 Wiegand Hub | BIPS HID Prox®, Kantech ioProx, HID iCLASS®, HID iCLASS SE® (SIO-enabled), HID iCLASS® Seos™, HID MIFARE® SE, HID DESFire® EV1 SE, MIFARE Classic, MIFARE DESFire EV1, NFC/BLE-enabled mobile phones | | | 3 ≥ 1-1/2" to 2-1/4" |

*Kit includes integrated lock paired with Wiegand 1:1 wireless hub