

# XNO-C8083R

6MP AI IR Bullet Camera

Network



FC | UL LISTED | CE | ENEC

## Key Features

- 6MP resolution
- 4.4~9.3mm (2.1x) motorized varifocal
- Color: 0.04Lux (F1.3, 1/30sec, 30IRE), 0Lux (IR LED on)
- Maximum 30fps@6MP (H.265/H.264)
- WiselR: IR viewable length 40m (131.23ft)
- Day & Night (ICR), extremeWDR (120dB), WiseNR II (Using AI engine)
- H.265, H.264, MJPEG, WiseStream II, WiseStreamIII (Using AI engine)
- DIS with built-in Gyro sensor
- Analytics events based on AI engine (NPU) : Object detection (Person/Face/Vehicle - car, truck, bus, bicycle, motorcycle/License plate),  
IVA (Virtual line/Area, Enter/Exit, Loitering, Direction, Intrusion)
- Analytics events : Defocus detection, Motion detection, Tampering, Fog detection  
Audio detection, Sound classification, Shock detection, Appear/Disappear
- IP66, IP67, NEMA4X, IK10

<b>Video</b>	
<b>Imaging Device</b>	1/1.8" progressive CMOS
<b>Resolution</b>	3328x1872, 3072x1728, 2592x1944, 2688x1520, 1920x1080, 1600x1200, 1280x1024, 1280x960, 1280x720, 1024x768, 800x600, 800x448, 720x576, 720x480, 640x480, 640x360, 320x240
<b>Max. Framerate</b>	H.265/H.264: Max. 30fps/25fps(60Hz/50Hz) MJPEG: Max. 15fps/12fps(60Hz/50Hz)
<b>Min. Illumination</b>	Color: 0.04Lux(F1.3, 1/30sec, 30IRE) B/W : 0.004Lux(F1.3, 1/30sec, 30IRE), 0Lux(IR LED on)
<b>Video Out</b>	USB: Micro USB Type B, 1280x720 for installation
<b>Lens</b>	
<b>Focal Length (Zoom Ratio)</b>	4.4~9.3mm(2.1x) motorized varifocal
<b>Max. Aperture Ratio</b>	F1.3(Wide) ~ F2.15(Tele)
<b>Angular Field of View</b>	H : 112.1°(Wide)~47.5°(Tele) V : 58.0°(Wide)~26.6°(Tele) D : 137.5°(Wide)~54.6°(Tele)
<b>Min. Object Distance</b>	0.5m(1.64ft)
<b>Focus Control</b>	Simple focus, Manual
<b>Lens Type</b>	P-iris(IR corrected)
<b>Operational</b>	
<b>Camera Title</b>	Displayed up to 85 characters
<b>Day &amp; Night</b>	Auto(ICR)
<b>Backlight Compensation</b>	BLC, HLC, WDR, SDDR
<b>Wide Dynamic Range</b>	extremeWDR (120dB)
<b>Digital Noise Reduction</b>	WiseNR II (Based on AI engine), SSNR V
<b>Digital Image Stabilization</b>	Support(built-in gyro sensor)
<b>Defog</b>	Support
<b>Motion Detection</b>	8ea, 8point Polygonal zones
<b>Privacy Masking</b>	32ea, Quadrangle zones - Color : Gray, Green, Red, Blue, Black, White - Mosaic
<b>Gain Control</b>	Support
<b>White Balance</b>	ATW / Narrow ATW / AWC / Manual / Indoor / Outdoor
<b>LDC</b>	Support (Fill/stretch mode)
<b>Electronic Shutter Speed</b>	Minimum / Maximum / Anti flicker (2~1/12,000sec) prefer shutter control(Based on AI engine)
<b>Video Rotation</b>	Flip, Mirror, Hallway view(90°/270°)
<b>Analytics</b>	- Analytics events based on AI engine : Object detection (Person/Face/Vehicle(car/bus/truck/motorcycle/bicycle)/License plate), IVA (Virtual line/Area, Enter/Exit, Loitering, direction, Appear/Disappear, intrusion) - Analytics events : Defocus detection, Motion detection, Tampering, Fog detection, Audio detection, Sound classification, Shock detection
<b>Business Intelligence</b>	Based on AI engine : People counting, Queue management, Heatmap

Alarm I/O	2 configurable I/O ports
Alarm Triggers	Analytics, Network disconnect, Alarm input, App event, Time schedule
Alarm Events	When alarm trigger occurred - File upload(image) : e-mail/FTP - Notification : e-mail - Recording : SD/SDHC/SDXC or NAS recording at event triggers - Alarm output - Handover(PTZ preset, Send message by HTTP/HTTPS/TCP) - Audio clip playback
Audio In	Selectable(mic in/line in) Supply voltage: 2.5VDC(4mA), Input impedance: 2K Ohm
Audio Out	Line out, Max.output level: 1Vrms
IR Viewable Length	WiselR 40m(131.23ft)
<b>Network</b>	
Ethernet	Metal shielded RJ-45(10/100BASE-T)
Video Compression	H.265/H.264: Main/High, MJPEG
Audio Compression	G.711 u-law /G.726 Selectable G.726(ADPCM) 8KHz, G.711 8KHz G.726: 16Kbps, 24Kbps, 32Kbps, 40Kbps AAC-LC: 48Kbps at 16KHz
Smart Codec	Manual(5ea area), WiseStream II , WiseStreamIII(Based on AI engine)
Bitrate Control	H.264/H.265: CBR or VBR MJPEG: VBR
Streaming	Unicast(20 users) / Multicast Multiple streaming(Up to 10 profiles, 3 virtual channel support)
Protocol	IPv4, IPv6, TCP/IP, UDP/IP, RTP(UDP), RTP(TCP), RTCP,RTSP, NTP, HTTP, HTTPS, SSL/TLS, DHCP, FTP, SMTP, ICMP, IGMP, SNMPv1/v2c/v3(MIB-2), ARP, DNS, DDNS, QoS, UPnP, Bonjour, LLDP, SRTP (TCP, UDP Unicast)
Security	HTTPS(SSL) Login Authentication Digest Login Authentication IP Address Filtering User access log 802.1X Authentication(EAP-TLS, EAP-LEAP, EAP-PEAP MSCHAPv2) Device Certificate(Hanwha Techwin Root CA, pre-installed) Secure by default certificate HTPM (Hanwha Trusted platform module) Secure OS/Boot/Storage, Verify firmware forgery CyberSecurity assurance program UL CAP (UL 2900-1)
Application Programming Interface	ONVIF Profile S/G/T SUNAPI(HTTP API) Wisenet open platform
<b>General</b>	
Webpage Language	English, Korean, Chinese, French, Italian, Spanish, German, Japanese, Russian, Swedish,, Portuguese, Czech, Polish, Turkish, Dutch, Greek, Hungarian
Edge Storage	Micro SD/SDHC/SDXC 1slot 512GB
Memory	4GB RAM, 512MB Flash
<b>Environmental &amp; Electrical</b>	

<b>Operating Temperature / Humidity</b>	-40°C~+55°C(-40°F ~ +131°F) * Maximum temperature : +60°C (intermittent) * Start up should be done at above -20°C NEMA TS-2 : 74°C 0~95%RH(non-condensing) Humidity control /w GORE vent
<b>Storage Temperature / Humidity</b>	-50°C ~ +60°C(-58°F ~ +140°F) / Less than 90% RH
<b>Certification</b>	IP66/IP67/NEMA4X, IK10
<b>Input Voltage</b>	PoE(IEEE802.3af, Class3), 12VDC
<b>Power Consumption</b>	PoE: Max 12.95W, typical 11.2W 12VDC: Max 13.2W, typical 10.8W

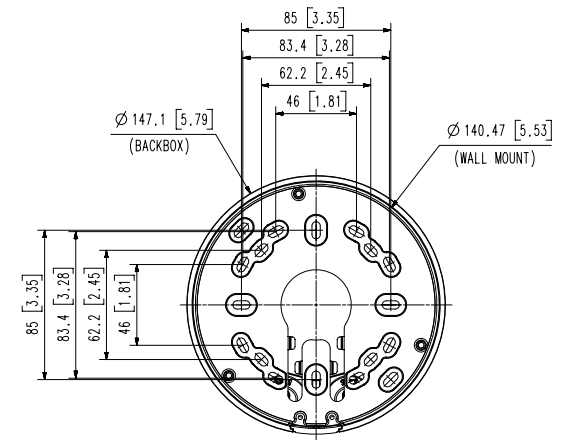
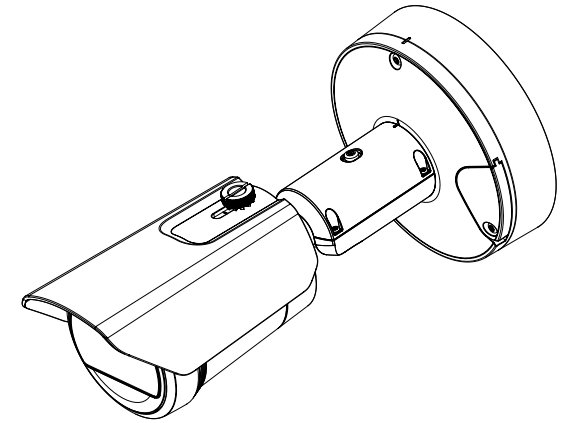
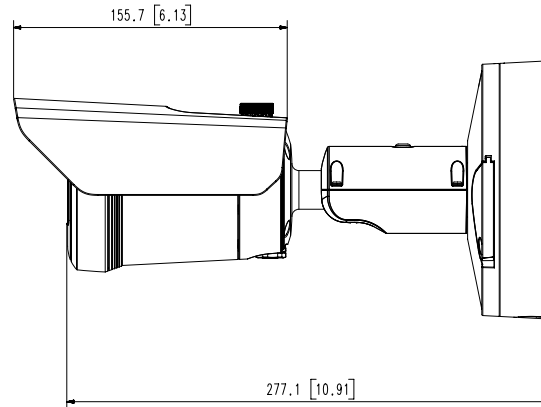
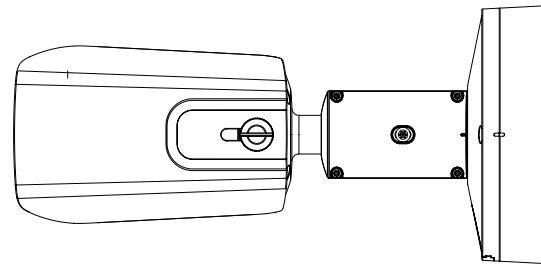
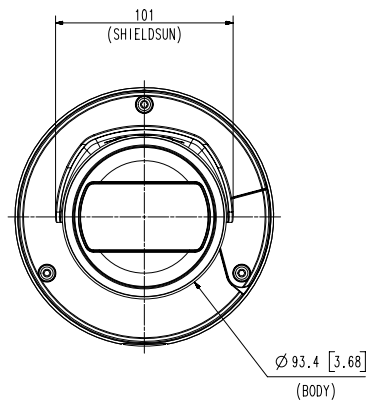
### Mechanical

<b>Color / Material</b>	White / Aluminum + PC Hard-coated window
<b>RAL Code</b>	RAL9003
<b>Product Dimensions / Weight</b>	Ø93.4x276.6mm(Ø3.68x10.89"), 1640g(3.62 lb)
<b>Compatible Conduit hole / Gangbox</b>	SBO-147BA(Sold seperately) single, double, 4" octagon, 4" square

### DORI (EN62676-4 standard)

<b>Detect (25PPM/ 8PPF)</b>	Wide: 44.8m(147.02ft) / Tele: 151.3m(496.29ft)
<b>Observe (63PPM/ 19PPF)</b>	Wide: 17.9m(58.81ft) / Tele: 60.5m(198.52ft)
<b>Recognize (125PPM/ 38PPF)</b>	Wide: 9.0m(29.4ft) / Tele: 30.3m(99.26ft)
<b>Identify (250PPM/ 76PPF)</b>	Wide: 4.5m(14.7ft) / Tele: 15.1m(49.63ft)

- The latest product information / specification can be found at [hanwha-security.com](http://hanwha-security.com)
- Design and specifications are subject to change without notice.
- Wisenet is the proprietary brand of Hanwha Techwin, formerly known as Samsung Techwin.



4	XNO-C6083R	'21.09.24
3	XNO-C7083R	'21.09.24
2	XNO-C8083R	'21.09.24
1	XNO-C9083R	'21.09.24
No.	MODEL NAME	DATE

Unit:mm[inch] SCALE:1/2 © Hanwha Techwin

A2

© Hanwha Techwin Co.,Ltd. All rights reserved.