

DATASHEET

XS4 One by SALTO

The SALTO XS4 One escutcheon is a revolutionary stand-alone electronic lock thanks largely to the level of technology packed inside that brings together the convenience of an offline point -- easy installation and no wires – with all the power and performance of an online point.

www.saltosystems.com

TECHNICAL SPECIFICATIONS: XS4 ONE Ex7x -DIN

SALTO
inspired access



(1) Certifications in progress
(*) Optional

TECHNICAL DATA:

Housing dimensions (H x W x D):	298,0 x 54,0 x 24 mm
Weight:	1,8 kg
Handle rotation:	Max. 45°
Door thicknesses:	32 mm - 120 mm
Distance from the handle to the cylinder	No cylinder option. Just key override option.
Square spindles:	7 mm, 8 mm, 9 mm, 8 mm split, 9 mm split
Power source:	3 AAA batteries (LR03 1,5V)
Number of openings	40.000 - 60.000 depending on the technology
Maximum events on lock audit	2.200 events
Environmental conditions Outdoor	+5 °C / +50 °C without condensation, optional -20 °C /+50 °C
Environmental conditions Indoor	+5 °C / +50 °C. without condensation.
Certifications:	CE, EN1906 EN 179, EN 1634-1 (Ei60, E260, E90)*

ID TECHNOLOGIES:

MIFARE:*	•
BLE Smart:	•
NFC:	•
Legic:**	—
HID iClass®:	•
Picopass:	—
i-Button:	—

* MIFARE® (DESFire EV2, Classic, Plus, Ultralight C).

** Legic Prime and Legic Advant

TECHNOLOGY PLATFORMS:**SALTO SPACE:**

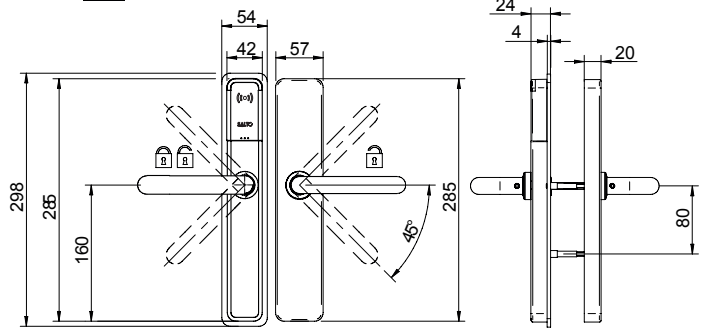
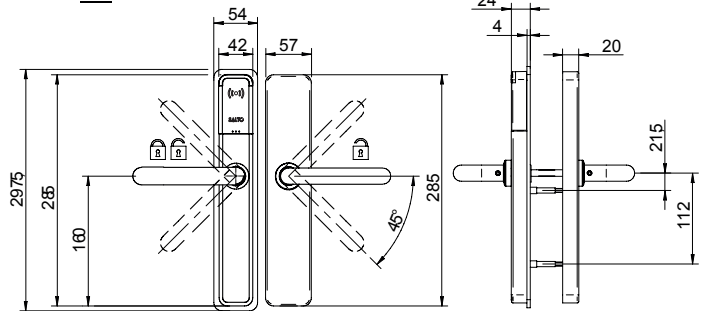
Smile - Selfprogrammable	—
ROM	•
SVN data-on-card	•
Wireless (SALTO RFnet)	—
Wireless (SALTO BLUEnet)	•

SALTO KS:

SALTO KS:	—
-----------	---

SALTO SALLIS:

SALLIS:	—
---------	---

TECHNICAL DRAWING:**Ei 7xx ROxx****Ei 7xx SHxx****OPENING MODES:**

Standard:	•
Office mode:	•
Timed office:	•
Automatic opening:	•
Automatic opening + office	•
Toggle:	•
Timed Toggle:	•
Amok mode:	—
Exit leaves open mode:	•
Pin code / Keypad:	—

OPTIONS:**Reader colour:**

Black:	•
White:	•

Faceplate finish:

IM Satin stainless steel:	•
IP Bright stainless steel:	•
BC BioCote anti-microbial:	•

Handles

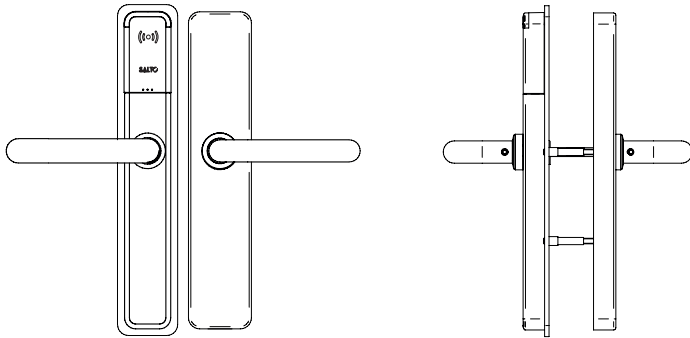
Compatible handles	U, L, W, H, S, B, P, J, T, Y, Z, O, N, G, K, 2, 3, 4, 7, 5
--------------------	---

(*) Certifications in progress

MODELS:

Ex750_RO:

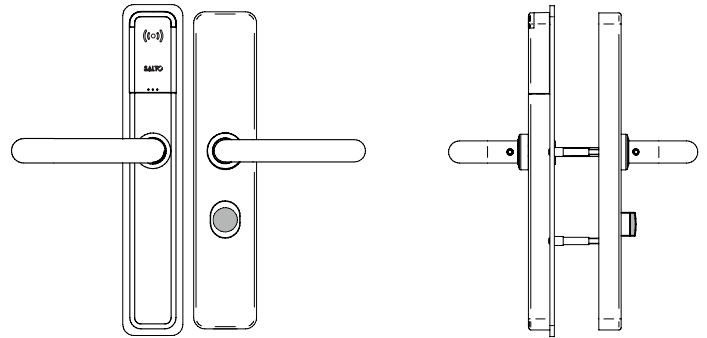
2 handles any type.



Ex756_RO:

2 handles any type.

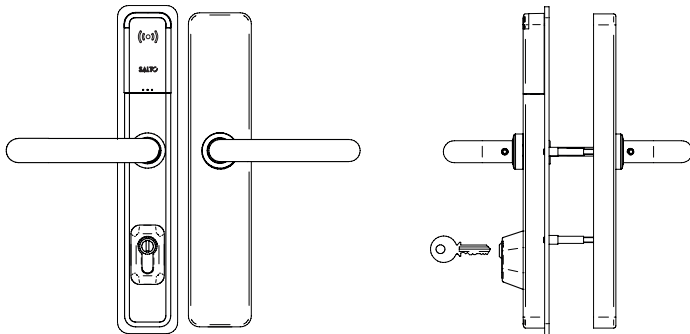
- Electronic “do not disturb” system (Not available in self-programmable).



Ex7P1_RO:

2 handles any type.

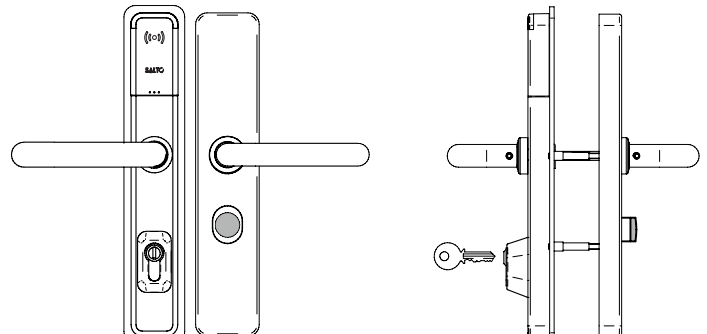
- Built in mechanical override with audit.
(Ex4P0 reference: Euro profile cylinder 30-10).



Ex7P6_RO:

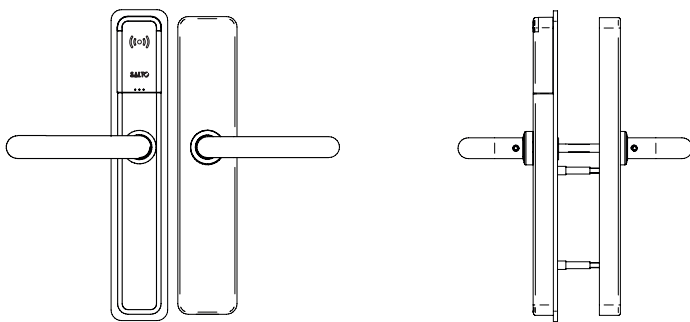
• 2 handles any type.

- Electronic “do not disturb” system
- Built in mechanical override with audit.
(Ex4P6 reference: Euro profile cylinder 30-10).



Ex750_SH:

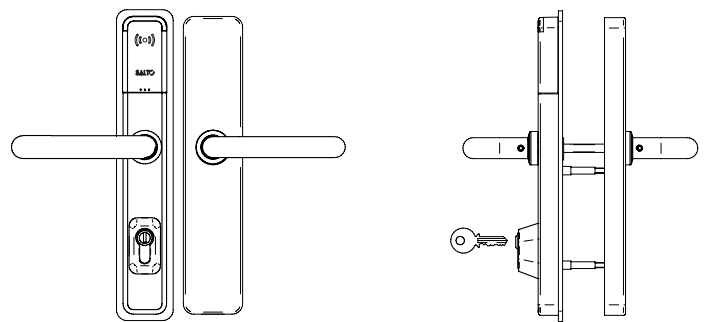
2 handles any type.



Ex7P1_SH:

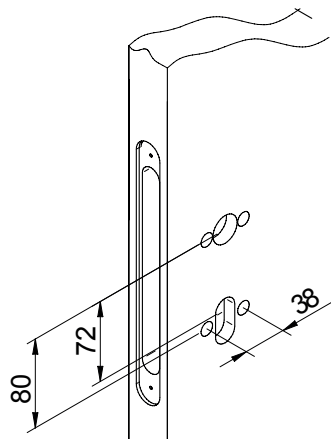
2 handles any type.

- Built in mechanical override with audit.
(Ex4P0 reference: Euro profile cylinder 30-10).



DOOR PREPARATION:

RO DOOR PREPARATION



SH DOOR PREPARATION

