

XS4 Glass Door - DIN

XS4 BY SALTO | ELECTRONIC DOOR LOCKS

Smart, secure, innovative and easy to install, the XS4 electronic escutcheon sets need no hard wiring and provide a totally wire-free networked electronic locking solution with a great range of features.

The XS4 escutcheon range is specially designed to fit on most standard doors, and work with the majority of Scandinavian, European and ANSI mortise locks and tubular latches.



XS4 Glass Door - DIN

XS4 Ex6GD | GLASS DOOR LOCK DIN18101

The XS4 Original DIN glass door lock has been specially designed for use with DIN 18101 standard glass doors. Its steel body is stylish and modern and its unique 'sandwich body' construction makes it easy to install, without having to replace the door. A wireless version of the XS4 DIN glass door lock is also available for real-time access control requirements.



FEATURES:

- Sandwich body design for easy installation.
- Body and escutcheon made of steel.
- Available with mechanical cylinder cut outs for key override or access lock outs (override European profile cylinder) with audit trail facility available.
- The lock can always be opened from the inside (single action panic feature works in conjunction with the SALTO automatic mortise lock).
- Door status detector inside to monitor intrusions or door left open status (wireless escutcheons only).
- Strike plates for glass frames and double doors available to meet the installation needs.
- Complementary escutcheons without reader available to maintain the aesthetics of doors that do not need to be controlled.

READER COLOUR:



FINISHES:



IM

TECHNICAL CHARACTERISTICS:

- Covers door thicknesses: From 8mm up to 14mm.
- Dimensions: 296mm x 98,5mm x 22,5mm.
- Clutch mechanism escutcheon; when unlocked handle moves freely.
- Handle rotation: 52°.
- Distance from the handle to the cylinder: 72mm.
- DIN 18101 standard prepared for DIN 18101 standard glass doors.
- Automatic lock, the auxiliary latch (anti-card) projects and deadlocks the deadbolt.
- Compatible with European profile cylinders.
- Handle compatibility: 16mm Ø, 18mm Ø.
- Handed mortise lock.
- Autodeadbolt mechanism.

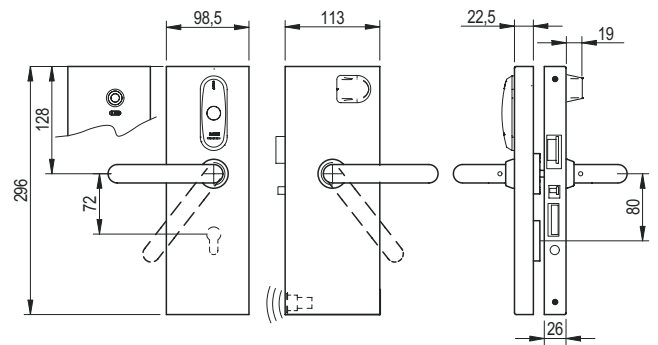
PLATFORMS:



ID TECHNOLOGIES :

- MIFARE® (DESFire EV1, Plus, Ultralight C, Classic - ISO/IEC 14443).
- Bluetooth SMART (BLE).
- NFC.
- Inside Picopass.
- LEGIC Prime and LEGIC Advant.
- HID iCLASS®.
- i-Button.

TECHNICAL DRAWING:



CERTIFICATIONS:



Technical Data

POWER SOURCE:

- XS4-40 narrow version: 3 alkaline batteries (LR03 - AAA 1,5V).⁽¹⁾
Optional 3 Lithium batteries (FR03 - AAA 1,5V - see environmental conditions).⁽²⁾
- XS4-60 wide version: 3 alkaline LR6 AA 1,5V. batteries.⁽¹⁾
Optional FR6 - AA1,5V. Lithium batteries.⁽²⁾

NUMBER OF OPENINGS:

- i-Button version: up to 60,000 on 1 set of batteries.
- Contactless versions: Up to 40,000 depending on the RFID technology.
- Low battery power indication monitored through the SALTO Virtual Network (SVN).
- The last approx. 1,000 operations are signalled.

ENVIRONMENTAL CONDITIONS:

- External escutcheon: 0° / 60° ⁽¹⁾
- External escutcheon: -20° / 60° ⁽²⁾
- Internal escutcheon: -20° / 60° ⁽²⁾

Main Features

- Simple installation by changing handle set, reliable and durable.
- SALTO SVN and SALTO Wireless network capable.
- Door status detector to monitor intrusions or door left open status (wireless escutcheons only).
- User on card audit trailing capability via the SALTO Virtual Network (SVN).
- All communication between the carrier and the electronic lock is encrypted and secured.
- Low battery status information is obtained from carriers.
- The lock can always be opened from the inside (single action panic feature works in conjunction with the relevant mortise lock).
- High security protection via high resistance, hardened anti-drill plates to protect wiring and reader area.
- Handle fixed by steady fix system (patented).
- Concealed fixing screws for greater security and improved aesthetics.
- Available with mechanical cylinder cut outs for key override or access lock outs.
- Wide range of finishes, handles and retrofit cover plates.
- Suitable for emergency exits.
- Firmware upgrade through PPD.
- Emergency opening via portable programming device (PPD).

Access Control Features

USERS & DOORS:

- Maximum number of users per door: 4 million.
- Maximum number of doors per system: 65,000.
- Access levels: unlimited.

CALENDARS & TIME ZONES:

- Calendars in system: 256
- Time tables: 1024
- Time periods: 1024

EVENTS:

- Maximum events on lock audit: 2200⁽³⁾.
- Non volatile memory (memory is not deleted, even if power fails).

MANAGEMENT SOFTWARE:

- SALTO ProAccess SPACE.

ID TECHNOLOGIES:

- Covering the mainstream RFID technologies.
- Compatible with ISO 14443A, ISO 14443B and ISO 15693 (Vicinity).

Lock Modes

STANDARD:

Locked at all times.

OFFICE MODE:

Free passage.

TIMED OFFICE:

Automatic locking at end time.

AUTOMATIC OPENING:

8 pairs of "hands free" timed lock and unlocks per day with holidays.

TOGGLE:

Present card to lock, present card to unlock.

TIMED TOGGLE:

Present card to lock, present card to unlock depending on schedules.

AMOK MODE:

Local lockdown of the escutcheon for emergency situations (AMOK escutcheon models only).

EXIT LEAVES OPEN MODE:

The lock remains unlocked after the inside handle is used.

⁽³⁾ Depending on the model