

DATASHEET

XS4 ORIGINAL ANSI by SALTO

The SALTO XS4 Original narrow body version is specially designed to fit most Euro profile doors, even narrow profile framed doors. This version also works with the majority of European mortise locks and cylinders.

www.saltosystems.com

TECHNICAL SPECIFICATIONS: XS4 ORIGINAL ANSI Ax6xx

SALTO
inspired access



TECHNICAL DATA:

Reader dimensions (H x W x D):	290mm (11-27/64") x 67mm (2-5/8") x 20mm (25/32")
Weight	2,2 kg
Handle rotation:	Max. 52°
Door thicknesses:	32 (1-3/8") up to 120 mm (4-3/4")
Distance from the handle to the cylinder	61mm (2-13/32"), 62mm (2-7/16") and 63mm (2-1/2")
Square spindles:	8mm (5/16"), 7mm diamond (9/32"), 8mm split (5/16"), 7mm diamond split (9/32") and 7,6mm (19/64")
Power source:	3 AAA batteries (LR03 1,5V)
Number of openings:	40,000 - 60,000 depending on the technology
Maximum events on lock audit	650 to 1,000 events
Environmental conditions:	+0 °C / +50 °C. (with Lithium batteries -20 °C / +60°C)
IP class:	IP56 (outside), IP55 (inside)
Certifications:	

* Depending on the model
 ** Depending on the handles

ID TECHNOLOGIES:

MIFARE:*	•
BLE Smart:	•
NFC:	•
Legic:**	•
HID iClass®:	•
Picopass:	•
i-Button:	•

* MIFARE® (DESFire EV1, Plus, Ultralight C, Classic - ISO/IEC 14443).
 ** Legic Prime and Legic Advant

TECHNOLOGY PLATFORMS:

SALTO SPACE:

Smile - Selfprogrammable	•
ROM:	•
SVN data-on-card:	•
SALTO RFnet:	•
SALTO BLUEnet:	—

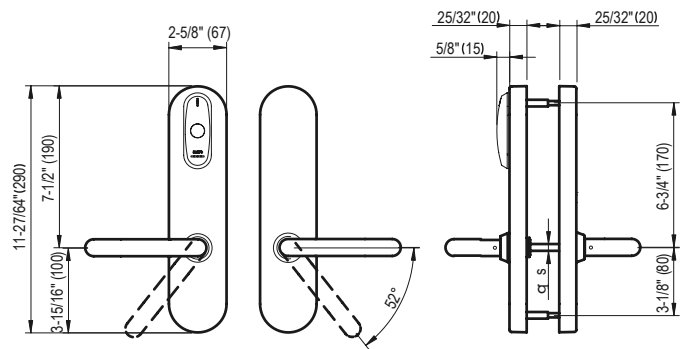
SALTO KS:

SALTO KS:	•
-----------	---

SALTO SALLIS:

SALLIS:	•
---------	---

TECHNICAL DRAWING:



OPTIONS:

Faceplate finish:

IM Satin stainless steel:	•
IP Bright stainless steel:	•
IA Antique brass:	•
PP PVD bright brass type:	•
PM PVD satin brass type:	•
NE Black chromium:	•
BC BioCote anti-microbial:	•

Handles

Compatible handles	U, L, W, H, S, B, P, J, T, Y, Z, O, A, N, G, K, 2, 3, 4, 7
--------------------	--

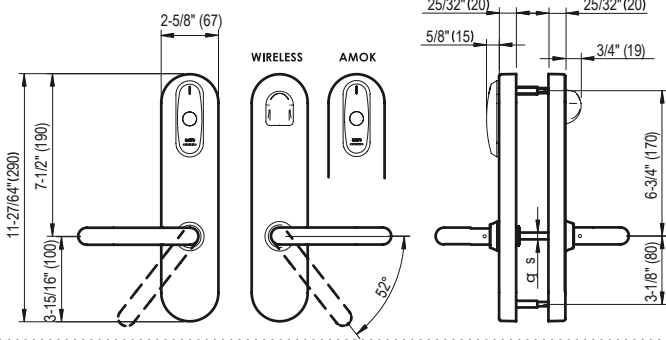
OPENING MODES:

Standard:	•
Office mode:	•
Timed office:	•
Automatic opening:	•
Automatic opening + office	•
Toggle:	•
Timed Toggle:	•
Amok mode:	•
Exit leaves open mode:	•

MODELS:

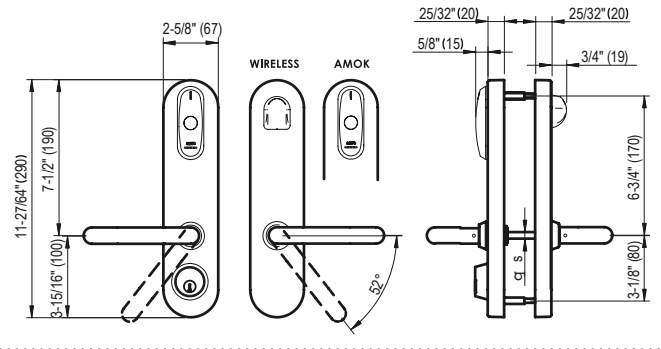
MODEL 50:

- 2 handles any type.



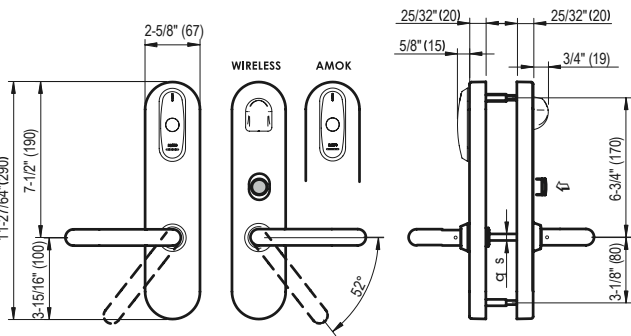
MODEL 60:

- 2 handles any type.
- Built in mechanical override with audit. (Ax660 reference: Mortise cylinder 1 1/8").



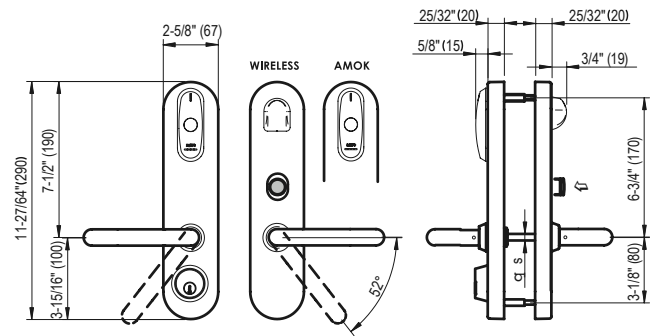
MODEL 56:

- 2 handles any type.
- Electronic "do not disturb" system (Not available in self-programmable).



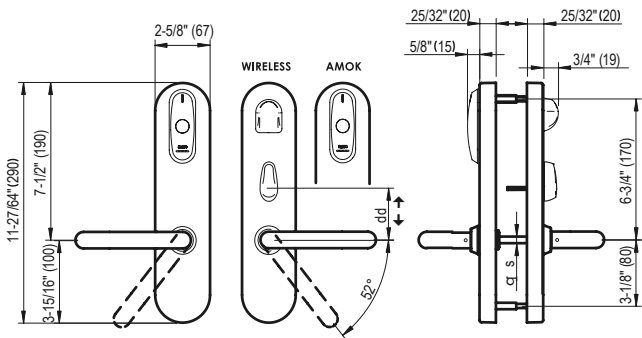
MODEL 66:

- 2 handles any type.
- Electronic "do not disturb" system (Not available in self-programmable).
- Built in mechanical override with audit. (Mortise cylinder 1 1/8").



MODEL 58

- 2 handles any type.
- Inside thumbturn.



MODEL 68

- 2 handles any type.
- Inside thumbturn.
- Built in mechanical override with audit. (Mortise cylinder 1 1/8").

