

SNC-CH280

Network HD Bullet Camera — V series

SONY
make.believe

High-Quality 1080p HD Security Camera with IR Illuminators and View-DR Technology

- Excellent 1080p HD picture quality, supporting H.264 at 30 fps
- 3 Megapixel (1920 x 1440) maximum resolution
- Three codecs (H.264, MPEG-4, JPEG) and dual streaming capability
- The Exmor™ CMOS sensor incorporated to deliver high image quality and low noise



KEY FEATURES

- View-DR™ – Sony's innovative Wide Dynamic Range technology – to capture objects clearly and adaptively even under very severe backlit or highlight conditions.



- Visibility Enhancer to optimize the brightness and color reproduction of an image dynamically on a pixel-by-pixel basis while continuously adapting to the scene, within the given dynamic range.
- Built-in IR (Infrared) illuminators to assist capturing objects in the dark even under 0 lx, up to 49 feet (15 m) away.



- IP66-rated waterproof and dust-tight feature for outdoor surveillance, or indoor where water ingress may pose an issue.
- Easy Focus / Easy Zoom functions for easy installation.
- DEPA™ Advanced Intelligent Video and Audio Analytics to trigger an alarm, based on user-defined rules.
- Equipped with a CompactFlash® slot for on-board recording and wireless operation capability with the optional SNCA-CFW5 802.11g card.



- Optical Day/Night function to switch to Day or Night mode depending on the light level.
- XDNR™ (eXcellent Dynamic Noise Reduction) technology for clear images without motion blur under low illumination.



- Powered by either AC 24V, DC 12V, or PoE (Power over Ethernet) for easy installation.
- Equipped with a built-in heater for continued camera operation in cold weather supported (-22°F to +122°F / -30°C to +50°C)
- Equipped with a BNC connector and a phono jack to instantly monitor the video while installing the camera.
- ONVIF™ (Open Network Video Interface Forum) software that ensures greater interoperability and more flexibility in building multiple-vendor systems.

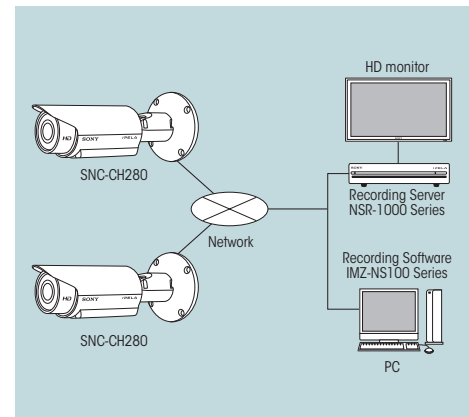


SPECIFICATIONS

SNC-CH280	
Camera	
Image device	1/2.8 type progressive scan Exmor CMOS sensor
Minimum illumination	Color: 0.40 lx, B/W: 0 lx (IR ON) (F1.2/View-DR OFF/XDNR ON-Middle/VE OFF/AGC High/50 IRE [1P])
Number of effective pixels (H x V)	Approx. 3.27Megapixel (2096x1561)
Electronic shutter speed	1s to 1/10000 s
Gain control	Auto (3 levels)
Exposure control	Auto, EV Compensation *1, Auto Slow Shutter *2
White balance mode	Auto (ATW, ATW-PRO), Preset, One-push WB, Manual
Lens type	Built-in Vari-focal lens
Zoom ratio	Optical 2.9X (x2 Digital Zoom)
Horizontal viewing angle	88.5 degrees to 32.3 degrees
Focal length	f=3.1mm to 8.9 mm
F-number	F1.2 (Wide), F2.1 (Tele)
Minimum object distance	300 mm
Powered focus	Yes (Easy Focus)
Powered zoom	Yes (Easy Zoom)
IR illuminators	Yes (Wave Length: 850nm [Typical], IR LED: 27pcs)
Camera Features	
Day/Night *3	Yes
Wide-D	View-DR technology (90dB)
Image enhancement	Image enhancement Visibility Enhancer
Noise reduction	XDNR Technology
Image	
Codec image size (H x V)	1920 x 1440, 1600 x 1200, 1680 x 1056, 1920 x 1080, 1440 x 912, 1376 x 768, 1280 x 960, 1280 x 800, 1280 x 720, 1280 x 1024, 1024 x 768, 1024 x 576, 800 x 480, 768 x 576, 720 x 576, 704 x 576, 720 x 480, 640 x 480, 640x 368, 384 x 288, 320 x 240, 320 x 192 (H.264, MPEG-4, JPEG)
Video compression format	H.264, MPEG-4, JPEG
Codec streaming capability	Dual streaming
Maximum frame rate	H264: 20fps (1920 x 1440) / 30fps (1920 x 1080) MPEG-4: 15fps (1920 x 1440) / 20fps (1920 x 1080) JPEG: 10fps (1920 x 1440) / 15fps (1920 x 1080)
Audio	
Audio compression	G.711/G.726
Scene Analytics	
Intelligent motion detection	Yes (with built in Post Filter)
Rule filter	Yes
Network	
Protocols	IPv4, IPv6, UDP, TCP, ARP, ICMP, IGMP, HTTP, HTTPS, FTP(client/server), SMTP, DHCP, DNS, NTP, RTP/RTCP, RTSP, SNMP (MIB-2)
ONVIF software	Yes
Wireless network	Yes (with Option **)
Number of clients	10
Authentication	IEEE802.1X
Analog Monitor Output	
Signal system	NTSC / PAL
Horizontal resolution	600 TV lines
S/N ratio	more than 50dB
Interface	
Ethernet	10BASE-T / 100BASE-TX (RJ-45)
Serial interface	No
Card slots	CF card x1
Analog video output	BNC x 1
Analog monitor output	Phono jack x 1
Sensor input	x 1
Alarm output	x 2
External microphone input	Mini-jack (Monaural), MIC IN/LINE IN: 2.5VDC plug-in power
Audio line output	Mini-jack (Monaural), Max output level: 1 Vrms
General	
Weight	3 lb 12 oz (1690 g)
Dimensions	ø 3 3/4 x 7 3/8 inches (93 x 186 mm) ø 5 3/8 x 13 1/4 inches (140 x 334.8mm) (including arm)
Power requirements	PoE, AC24V, DC12V
Power consumption	33 W Max.
Starting temperature	AC24V/DC12V : -4°F to +122°F (-20°C to +50°C) PoE (IEEE802.3af) : 32°F to 122°F (0°C to 50°C)
Working temperature	AC24V/DC12V : -22°F to +122°F (-30°C to +50°C) *5 PoE (IEEE802.3af) : 14°F to 122°F (-10°C to +50°C)
Storage temperature	-4°F to +140°F (-20°C to +60°C)
Ingress protection	IP66
Safety regulation	UL2044, FCC 15B Class A, IC Class A, IEC60950-1, EN55022(A)+EN55024+EN50130-4, VCCI Class A, C-Tick Class A
System Requirements	
Operating system	Microsoft Windows XP™, Windows Vista™ (32bit), Windows 7 (32bit)
Processor	Intel Core2 Duo 2 GHz or higher
Memory	1 GB or more
Web browser	Microsoft Internet Explorer® Ver. 6.0, Ver. 7.0, Ver. 8.0 Firefox® Ver. 3.5 (Plug-in free viewer only) Safari® Ver. 4.0 (Plug-in free viewer only) Google® Chrome Ver. 4.0 (Plug-in free viewer only)
Supplied Accessories	
	CD-ROM (User's Guide, SNC Toolbox), Installation manual, Wire rope, +M4x8 screw, Warranty Booklet, Template

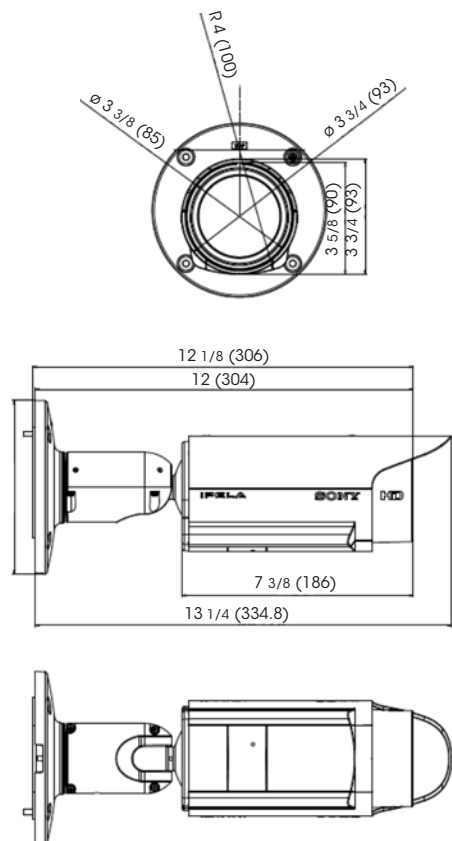
*1 VE off mode only. *2 View-DR off mode only. *3 Removable IR Cut Filter. *4 With optional SNCA-CFWS. *5 With a built-in heater.
*The SNC-CH280 includes software developed by the OpenSSL Project for use in the OpenSSL Toolkit (<http://www.openssl.org/>).

SYSTEM CONFIGURATIONS



DIMENSIONS

Unit: inches (mm)



© 2010 Sony Electronics Inc. All rights reserved.
Reproduction in whole or in part without written permission is prohibited.
Features and specifications are as subject to change without notice.
Weights and measurements are approximate.
IPELA, Exmor, DEPA, ONVIF, View-DR, XDNR and their respective logos are trademarks of Sony.
Windows, XP, and Vista are trademarks of Microsoft Corporation.
All other trademarks are the property of their respective owners.