

SNC-EP520

Network PTZ Camera — E Series

SONY
make.believe

High-Quality PTZ Cameras

- Three codecs (H.264, MPEG-4, JPEG) and dual-streaming capability
- Powerful 36x optical zoom capability
- DynaView™ - Wide-D technology
- Slim and stylish



KEY FEATURES

- 36x optical and total zoom ratio of 432x with 12x digital zoom.
- Three codecs (H.264, MPEG-4, JPEG) and dual-streaming capability.
- DynaView— Wide-D technology to handle various lighting conditions in a scene.

DynaView



Normal Shutter Speed



High Shutter Speed



With Wide-D Technology

(Simulated images)

- Optical Day/Night function to switch to Day or Night mode depending on the light level.
- DEPA™ Intelligent Video Analytics system can be set up with a DEPA-enabled recorder.
- Powered by HPoE for simple installation.
- SD memory card slot for an on-board recording capability.*1*2
- Recording Software (RealShot™ Manager Lite) is bundled to start recording and monitoring instantly.
- Smart phone viewer for accessing the camera from a smart phone.
- ONVIF™ (Open Network Video Interface Forum)Version 1.02 software.



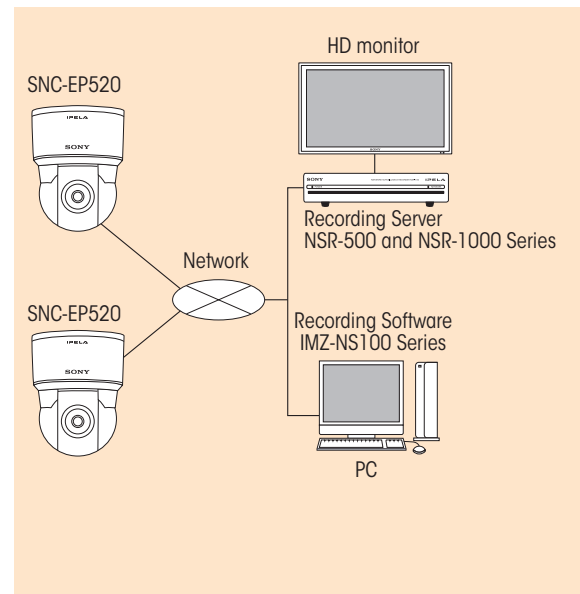
*1 The on-board recording function, the intelligent motion detection function, and the tamper alarm function cannot be used simultaneously.

*2 No guarantee or warranty is given against loss or damage to recorded data.

SPECIFICATIONS

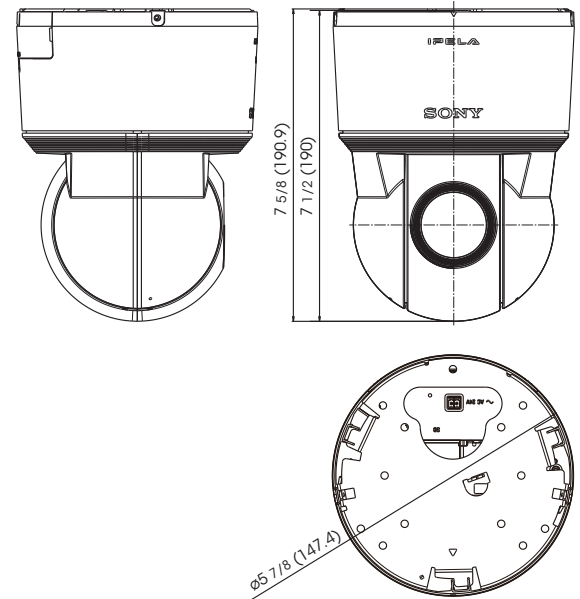
SNC-EP520	
Camera	
Image device	1/4-type EXview™ HAD CCD
Number of effective pixels	Approx. 0.38 Megapixel
Minimum illumination	Color: 1.4lx (F1.6, shutter 1/60sec, AGC ON, 50IRE(IP)) B/W: 0.15lx (F1.6, shutter 1/60sec, AGC ON, Night Mode, 50IRE(IP)) Color: 0.9lx (F1.6, shutter 1/60sec, AGC ON, 30IRE(IP)) B/W: 0.1lx (F1.6, shutter 1/60sec, AGC ON, Night Mode, 30IRE(IP))
Signal system	NTSC standard
Electronic shutter speed	1/1 to 1/10,000 s
Auto gain control	Auto/Manual (-3 to 28 dB)
Exposure control	Full auto, Shutter priority, Iris priority, Manual
White balance mode	Auto, ATW, Indoor, Outdoor, One-push, Manual, Sodium vapour lamp
Lens type	Auto-focus Zoom Lens
Zoom ratio	Optical zoom 36x, Digital zoom 12x, Total zoom 432x
Horizontal viewing angle	57.8 to 1.7 degrees
Focal length	f=3.4 to 122.4 mm
F-number	F1.6 to F4.5
Minimum object distance	10mm (wide) to 1500mm (tele)
Pan angle	340 degrees
Pan Speed	300 degrees/s (max)
Tilt angle	105 degrees
Tilt speed	300 degrees/s (max)
Preset position	256 positions
Tour	5
Camera Features	
Day/Night	Yes
Wide-D	Yes (92 dB)
Noise Reduction	Yes
Image	
Codec image size (H x V)	704x576, 720x480, 640x480, 384x288, 320x240
Video compression format	H.264, MPEG-4, JPEG
Codec streaming capability	Dual streaming
Maximum frame rate	30 fps (H.264/MPEG-4/JPEG)
Audio	
Audio compression	G.711/G.726
Scene Analytics	
Intelligent motion detection	Yes
Network	
Protocols	IPv4, IPv6, TCP, UDP, ARP, ICMP, IGMP, HTTP, HTTPS, FTP (client/server), SMTP, DHCP, DNS, NTP, RTP/RTCP, RTSP, SNMP(MIB-2)
ONVIF software	Yes (Ver. 1.02)
Number of clients	5
Authentication	IEEE802.1X
Interface	
Ethernet	10BASE-T / 100BASE-TX (RJ-45)
Card slots	SD memory card x 1 (Compatible with the SD/SDHC standards)
Sensor input	x2
Alarm output	x1
External microphone input	Mini-jack (monaural)
Audio line output	Mini-jack (monaural), Max output level: 1 Vrms
General	
Weight	3 lb 12 oz (1.7 kg) (including sealing bracket)
Dimensions (ø x H mm)	ø 5 7/8 x 7 5/8 inches (147.4 x 190.9 mm)
Power requirements	HPoE (IEEE802.3at compliant), AC24V
Power consumption	Approx. 25W
Operating temperature	23 to 122°F (-5 to +50 °C)
Starting temperature	32 to 122°F (0 to 50 °C)
Storage temperature	-4 to +140°F (-20 to +60 °C)
Safety regulation	UL2044, FCC 15B Class A, IC Class A, IEC60950-1, EN55022(A)+EN55024+EN50130-4, VCCI Class A, C-Tick Class A
System Requirements	
Operating system	Microsoft Windows XP™ (32bit) - Professional Edition Microsoft Windows Vista™ (32bit) - Ultimate, Business Edition Microsoft Windows 7 (32/64bit) - Ultimate, Professional Edition
Processor	Intel Core2 Duo 1.8 GHz or higher Intel Pentium4 2.4GHz or higher
Memory	1 GB or more
Web browser	Microsoft Internet Explorer® Ver. 6.0, Ver. 7.0, Ver. 8.0 Firefox® Ver. 3.5 (Plug-in free viewer only) Safari® Ver. 4.0 (Plug-in free viewer only) Google Chrome® Ver. 4.0 (Plug-in free viewer only)
Supplied Accessories	
	CD-ROM (User's guide, supplied programs), Installation manual, Ceiling bracket, Screws(2), Template, 24V AC Connector, I/O Connector

SYSTEM CONFIGURATION



DIMENSIONS

Unit: inches (mm)



*The SNC-EP520 and SNC-EP521 include software developed by the OpenSSL Project for use in the OpenSSL Toolkit (<http://www.openssl.org/>).

© 2011 Sony Electronics Inc. All rights reserved.
 Reproduction in whole or in part without written permission is prohibited.
 Features and specifications are subject to change without notice.
 Weights and measurements are approximate.
 Windows, XP, and Vista are trademarks of Microsoft Corporation.
 Core is a trademark of Intel Corporation.
 All other trademarks are the property of their respective owners.

Sony Electronics Inc.
 1 Sony Drive
 Park Ridge, NJ 07656
sony.com/security

S-IP2113 (MK10851V1)

Printed in USA (9/11)