

TECNOVIDEO

CCTV SYSTEMS AND ACCESSORIES

129AC SERIES

AIR COOLED CAMERA HOUSING

SAFE AREA

- AIR COOLING SYSTEM (VORTEX TUBE)
- WINDOW AIR JET FOR CLEANING/COOLING
- AISI316L STAINLESS STEEL CONSTRUCTION
- FOR USE IN HIGHLY CORROSIVE ENVIRONMENTS
- WEATHERPROOF STANDARD IP66/IP67
- SUITABLE FOR ANALOG AND IP CAMERAS
- VISIBLE DAY/NIGHT AND THERMAL VERSIONS AVAILABLE



TECHNICAL SPECIFICATIONS

GENERAL & MECHANICAL

Dimensions	See drawings next page
Operating Temperature	Up to 100°C (visible), up to 80°C (thermal)
Cooling system	Vortex tube and front exhausting valves (main cooling), front window air jet (window cooling)
Construction	AISI316L Stainless Steel
Finish	Electro-polished
Window	Borosilicate (visible), Germanium Ø 70mm (thermal) AR/DLC coated
Mounting	See drawings next page
Cable entries	2 M20x1,5 nickel plated brass cable glands (included) Standard cable diameter 5-10mm
Wiper	Front window air jet
Weight	Unit: 6kg / Package: 7kg

CERTIFICATIONS

Ingress Protection (EN 60529)	IP66/IP67
RoHS	2011/65/EU + 2015/863/EU (RoHS 3)
WEEE	2012/19/EU

MODELS

129AC	AIR COOLED camera housing, MEDIUM size. With Borosilicate (Borofloat®) front window, for applications up to 100°C (212°F)
129ACIR70	AIR COOLED camera housing, MEDIUM size. Germanium window Ø: 70mm, for applications up to 80°C (176°F)

For higher temperatures, use the 129LC Liquid-cooled series.

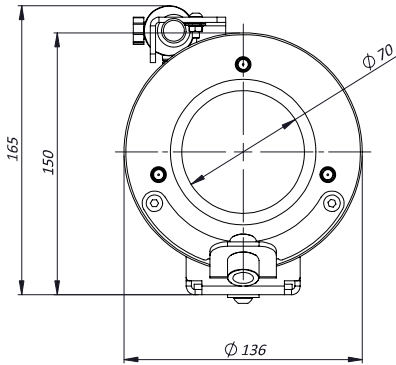
ACCESSORIES

SSBK-S	Wall mounting bracket
SSBKCLN-S	Ceiling mounting bracket
SSPM-S	Pole mount adapter
SSPTM-S	Pole TOP mount adapter
ABFL-01	Air filtering group of three filters: 20 µm, 5 µm, 0.1µm in cascade, with pressure regulator, pressure gauge and wall fixing bracket

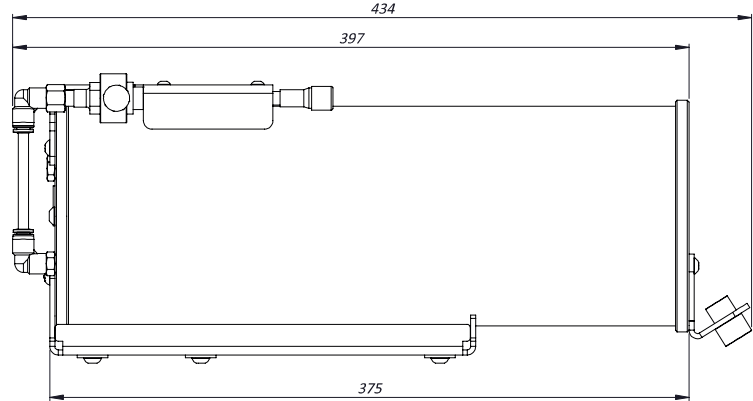
AIR COOLED CAMERA HOUSING

DIMENSIONS

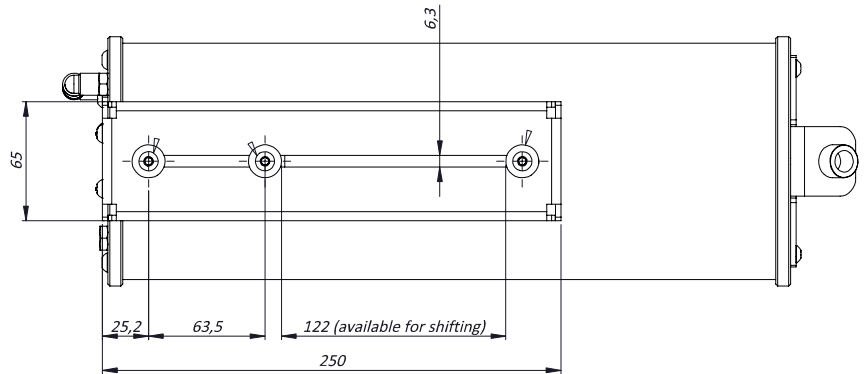
FRONT VIEW



SIDE VIEW



MOUNTING PATTERN



MAX EXTERNAL LENGTH

Model	L1 [mm]	L2 [mm]
129AC	434	375
129ACIR70	434	375

MAX INTERNAL USABLE AREA

Model	Max internal dimensions [mm]	Max usable internal diameter [mm]
129AC/129ACIR70	80x80x325	96