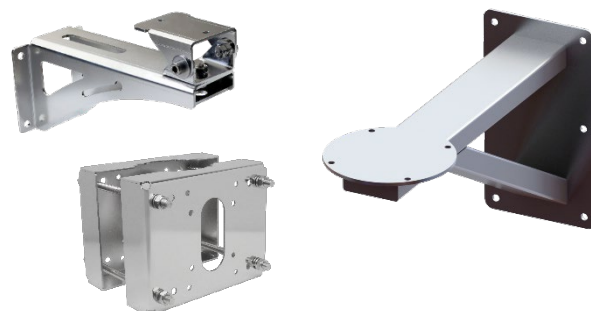


- COMPREHENSIVE RANGE OF MOUNTS TO FULLFILL ANY SORT OF INSTALLATION
- AISI316L STAINLESS STEEL CONSTRUCTION
- FOR USE IN HIGHLY CORROSIVE ENVIRONMENTS
- SOLID CONSTRUCTION
- EASY INSTALLATION AND ORIENTATION



TECHNICAL SPECIFICATIONS

GENERAL & MECHANICAL

Dimensions	See drawings next page
Construction	AISI316L Stainless Steel
Mounting	See drawings next page

Weight Model	Unit [kg]	Package [kg]
SSBK-S	2	3
SSBK-M	6	7
SSBK-L	10	11
SSBK-XL	7	8
SSPM-S	3	4
SSPM-M	5	6
SSPTM-S	1	1,5
SSPTM-M	2,5	3
SSBKCLN-S	3,5	4,5
SSDM-M	1	1,5

CERTIFICATIONS

RoHS	2011/65/EU + 2015/863/EU (RoHS 3)
WEEE	2012/19/EU

MODELS

SSBK-S	Wall mounting bracket for 129, 129AC and IRLED Series
SSBK-M	Wall mounting bracket for 129LC, 168, 168LC, 204, VSPT250, EX129, EXIRLED, CHEP, CHXS Series, and for SSDM-M adapter
SSBK-L	Wall mounting bracket for PTZ200, PTZ250, EXPTZ, and EXPT Series
SSBK-XL	Wall mounting bracket for 254 Series
SSBKCLN-S	Ceiling mounting bracket for 129, 129AC and IRLED Series
SSPM-S	Pole mount adapter for 101 Series, 118 Series, SSBK-S bracket
SSPM-M	Pole mount adapter for SSBK-M, SSBK-L and SSBK-XL brackets
SSPTM-S	Pole TOP mount adapter for 129, 129AC and IRLED Series
SSPTM-M	Pole TOP mount adapter for 129LC, 168, 168LC, 204, EX129, EXIRLED, and CHEP Series
SSDM-M	Adapter to mount two items on a single SSBK-M bracket ¹

¹ The following combinations are possible:

- two 129/EX129 Series camera housings
- one 129/EX129 Series camera housing and one IRLED/EXIRLED Series illuminator

EXPLOSION-PROOF RANGE

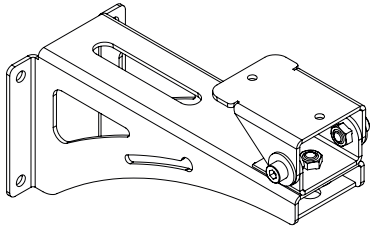
	EXPTZ	EXPTZ-LED	EXPTZ-DUAL	EXPT-CR	EX129/ EXF129	EXUL129/ EXULF129	CHEP	CHEP SS	EXIRLED
SSBK-M					X	X	X	X	X
SSBK-L	X	X	X	X					
SSPTM-M					X	X	X	X	X

WEATHERPROOF RANGE

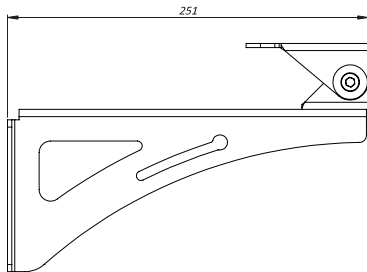
	PTZ200/ SAP200	PTZ250/ SAP250	118	129/ SAF129	168	254	CHXS	129AC	129LC	IRLED
SSBK-S			X	X				X		X
SSBK-M					X		X		X	
SSBK-L	X	X								
SSBK-XL						X				
SSPTM-S				X				X		X
SSPTM-M					X				X	
SSBKCLN-S				X				X		X

SSBK-S DIMENSIONS

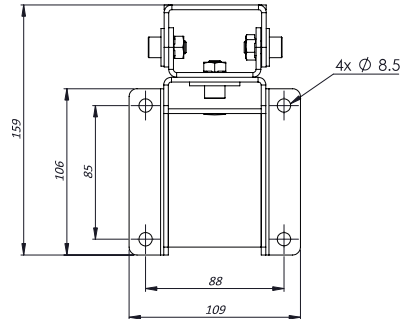
PRODUCT VIEW



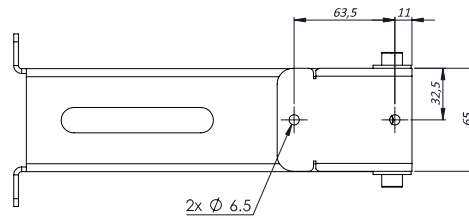
SIDE VIEW



FRONT VIEW

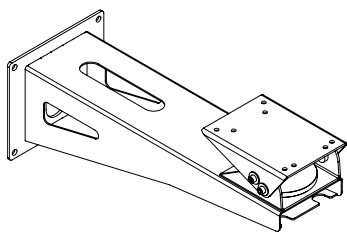


TOP VIEW

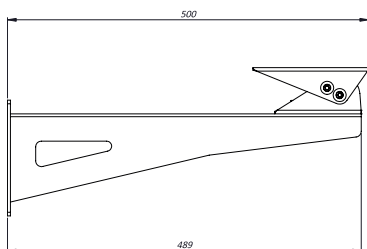


SSBK-M DIMENSIONS

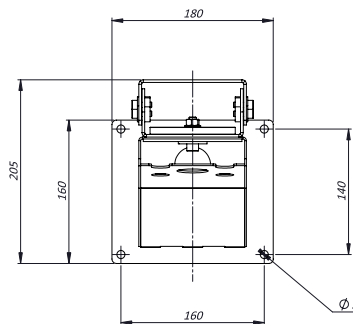
PRODUCT VIEW



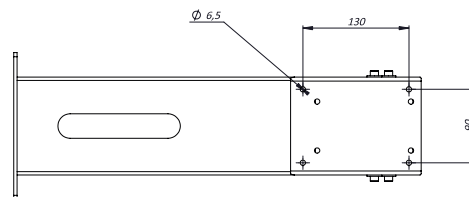
SIDE VIEW



FRONT VIEW

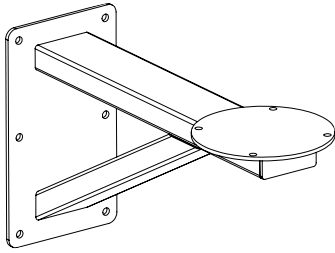


TOP VIEW

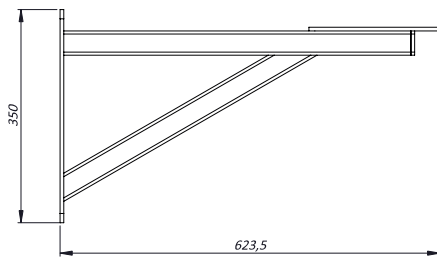


SSBK-L DIMENSIONS

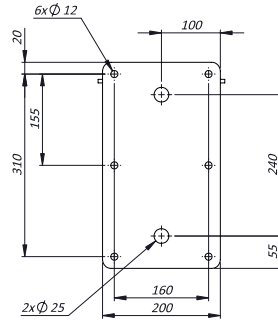
PRODUCT VIEW



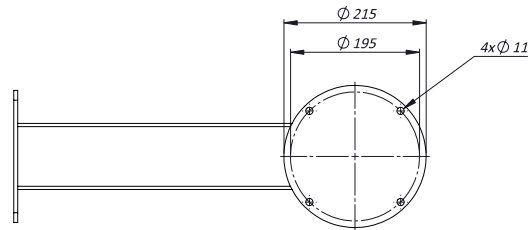
SIDE VIEW



MOUNTING PATTERN

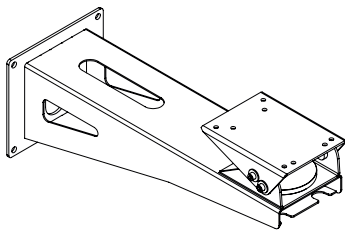


TOP VIEW

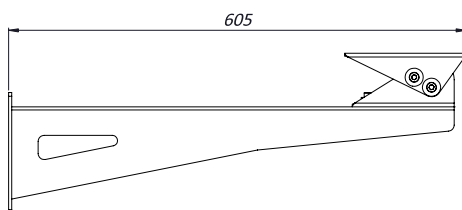


SSBK-XL DIMENSIONS

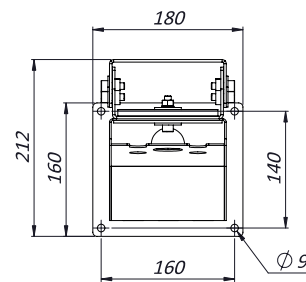
PRODUCT VIEW



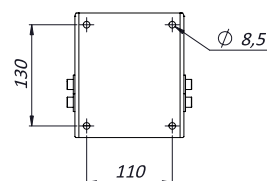
SIDE VIEW



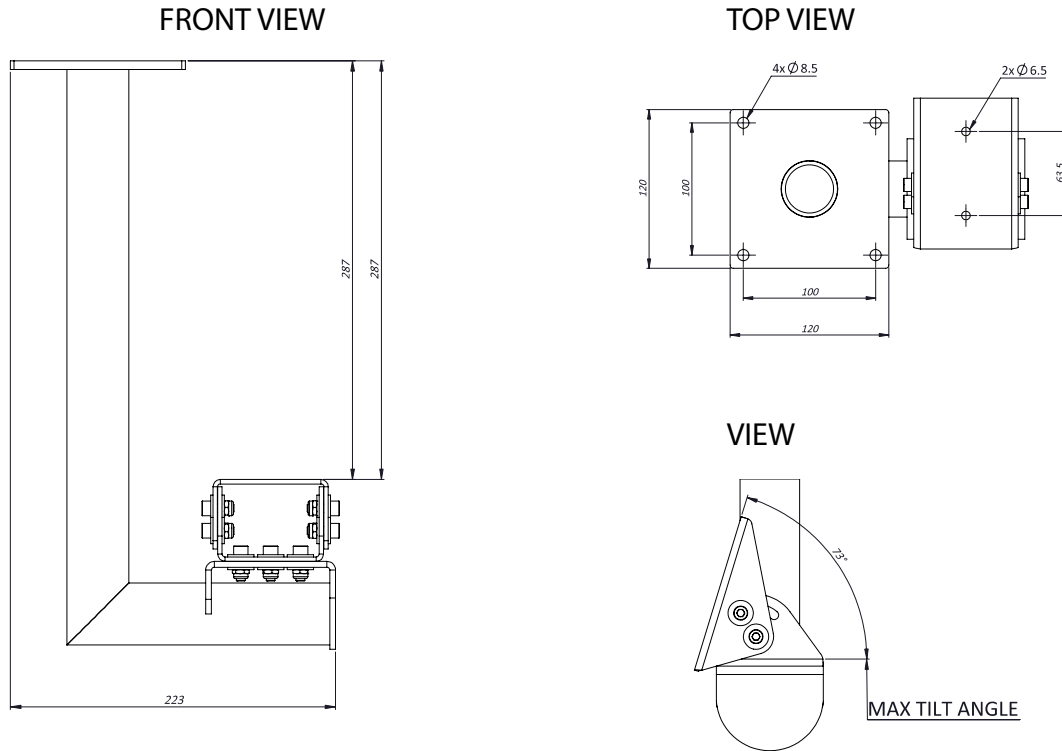
FRONT VIEW



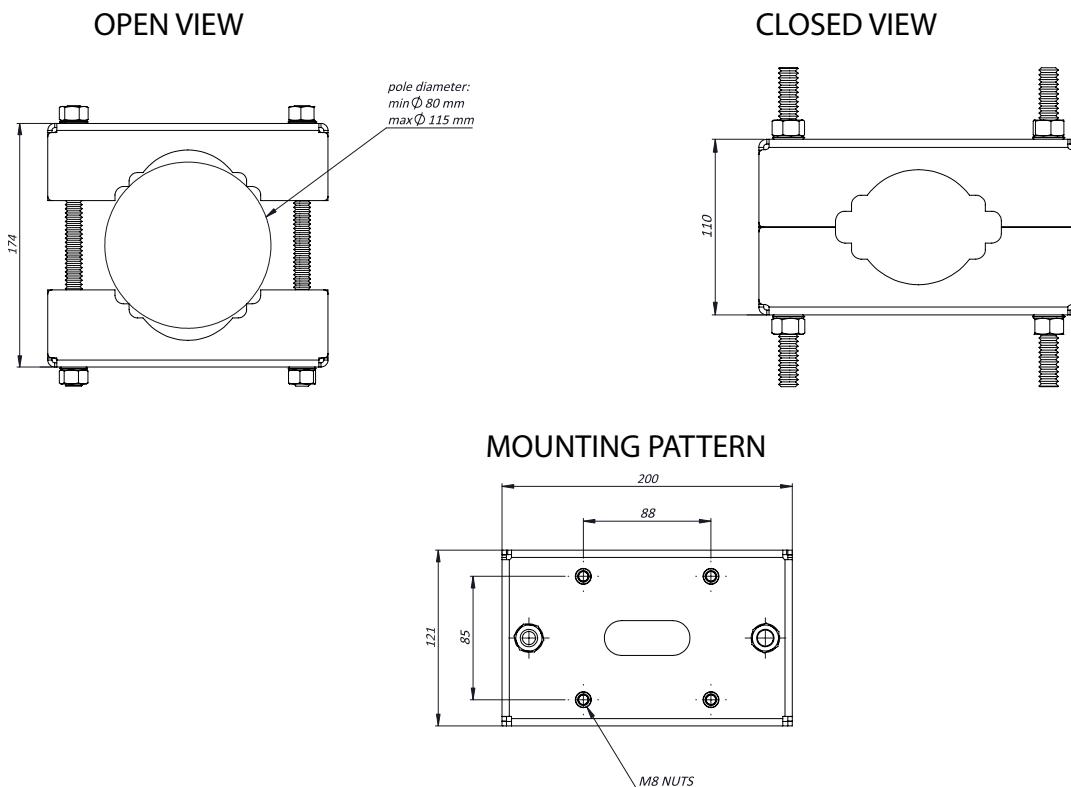
TOP VIEW



SSBK-CLN DIMENSIONS



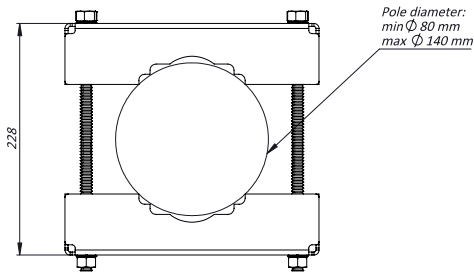
SSPM-S DIMENSIONS



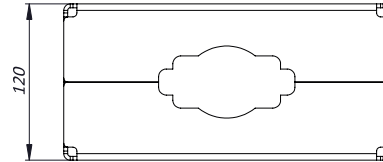
Mounting brackets and adapters

SSPM-M DIMENSIONS

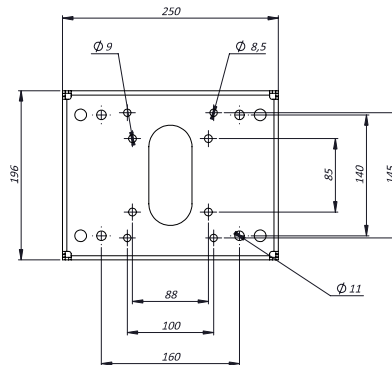
OPEN VIEW



CLOSED VIEW

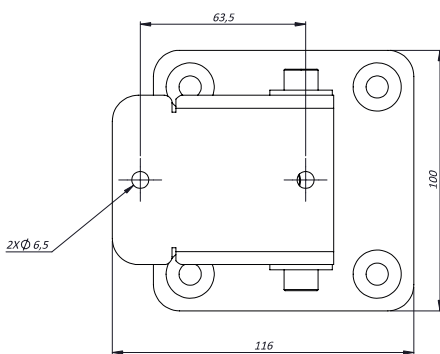


MOUNTING PATTERN

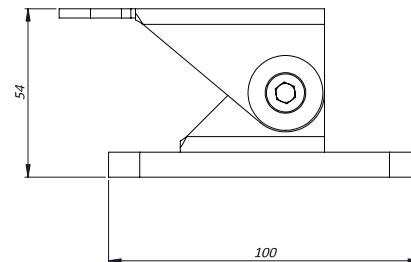


SSPTM-S DIMENSIONS

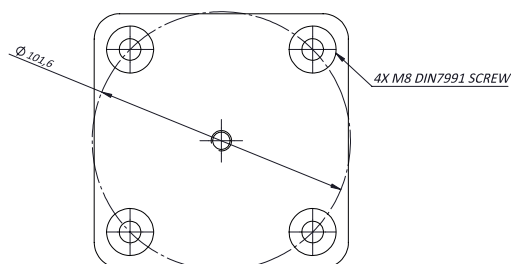
FRONT VIEW



SIDE VIEW

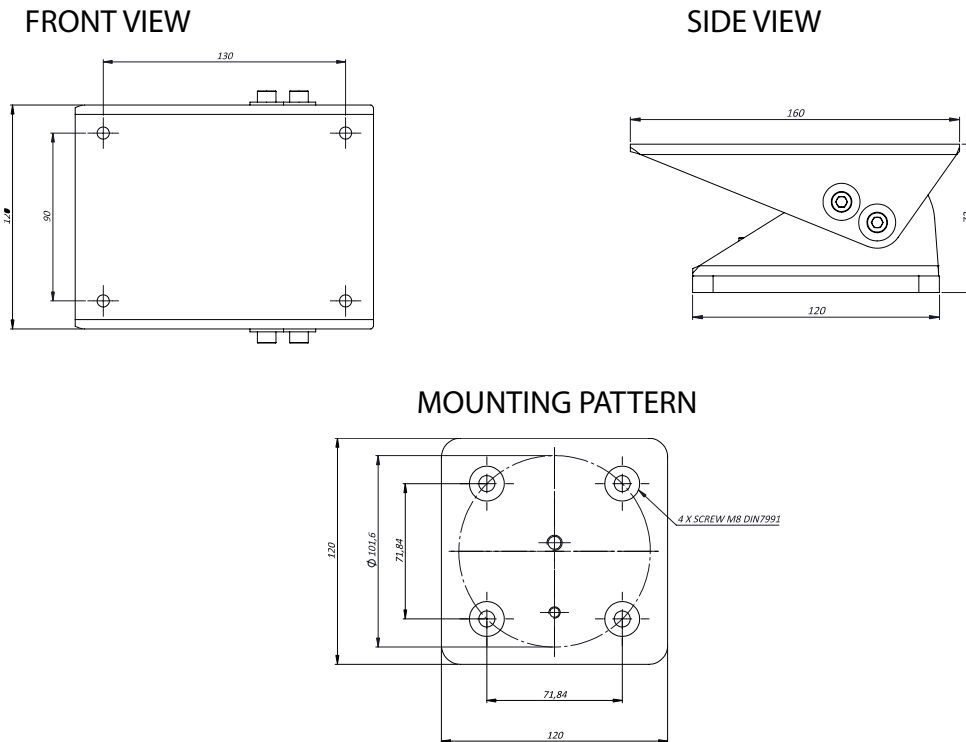


MOUNTING PATTERN

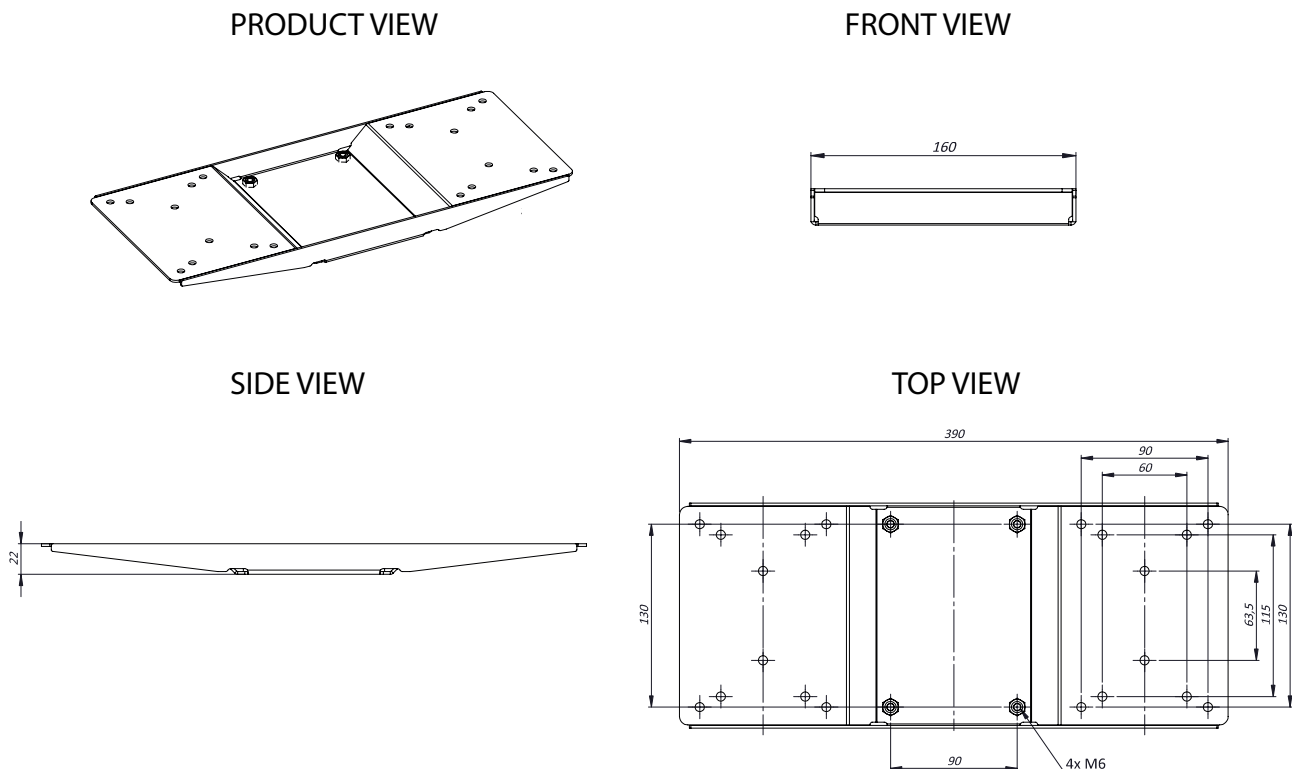


MONITORING BRACKETS AND ADAPTERS

SSPTM-M DIMENSIONS



SSDM-M DIMENSIONS



Dimensions in millimetres – Tolerances according QMS – Design and products specifications subject to change without notice – rev. 20211005