

# TECNOVIDEO

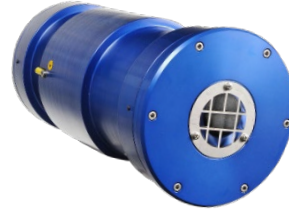
CCTV SYSTEMS AND ACCESSORIES

## CHEP-IR SERIES

EXPLOSION PROOF CAMERA HOUSING

HAZARDOUS AREA

- ATEX/IECEX CCTV CAMERA HOUSING
- ANTICORODAL ALUMINUM CONSTRUCTION
- GERMANIUM WINDOW FOR THERMAL CAMERAS
- DIRECT FIBER OPTIC CONNECTION AVAILABLE
- COST EFFECTIVE



### TECHNICAL SPECIFICATIONS

#### GENERAL & MECHANICAL

<b>Dimensions</b>	See drawings next page
<b>Operating Temperature</b>	-20°C +50°C (-4° +122°F)
<b>Construction</b>	Anticorodal Aluminium
<b>Finish</b>	Blue Anodized
<b>Mounting</b>	4x M5x1,5 on 60x115
<b>Cable entries</b>	2x M25x1,5 cable entries 2x 3/4" NPT cable entries version is available upon request
<b>Weight</b>	Unit: 12kg / Package: 13kg

#### ELECTRICAL

**Thermostatically controlled heater** T[°C] ON = 14 ± 4°C, T[°C] OFF = 25 ± 3°C

**Available voltages** 12-24VAC/DC, 115-230VAC (+/- 10%)  
**Max power consumption** 60W

#### CERTIFICATIONS

<b>Ingress Protection Rating</b>	EN 60529 (IP66/IP67) for all models Ⓜ II 2 G Ex db IIC T6 Gb Ⓜ II 2 D Ex tb IIIC T85°C Db Ⓜ II 2 G Ex db op pr IIC T6 Gb* Ⓜ II 2 D Ex tb op pr IIIC T85°C Db* <i>*for version with fiber optic</i>
<b>Certified temperature</b>	-20°C +50°C (-4° +122°F)
<b>ATEX Standards</b>	EN 60079-0; EN 60079-1; EN 60079-28; EN 60079-31
<b>IECEX Standards</b>	IEC 60079-0; IEC 60079-1; IEC 60079-28; IEC 60079-31
<b>EMC</b>	EN 50130-4; EN/IEC 61000-6-2; EN/IEC 61000-6-4
<b>LVD</b>	EN 60950-1; EN 60950-22
<b>RoHS</b>	2011/65/EU + 2015/863/EU (RoHS 3)
<b>WEEE</b>	2012/19/EU

#### MODELS

<b>CHEPIR/24</b>	Fixed camera housing with Germanium window + front grid and 12-24VAC/DC heater
<b>CHEPIR/230</b>	Fixed camera housing with Germanium window + front grid and 12-24VAC/DC heater

Usable front window: 45mm (Germanium with Hard Carbon Coating)  
Available upon request: Singlemode Fiber Optic media converter

#### PRE-ASSEMBLED CONDUIT TAILS

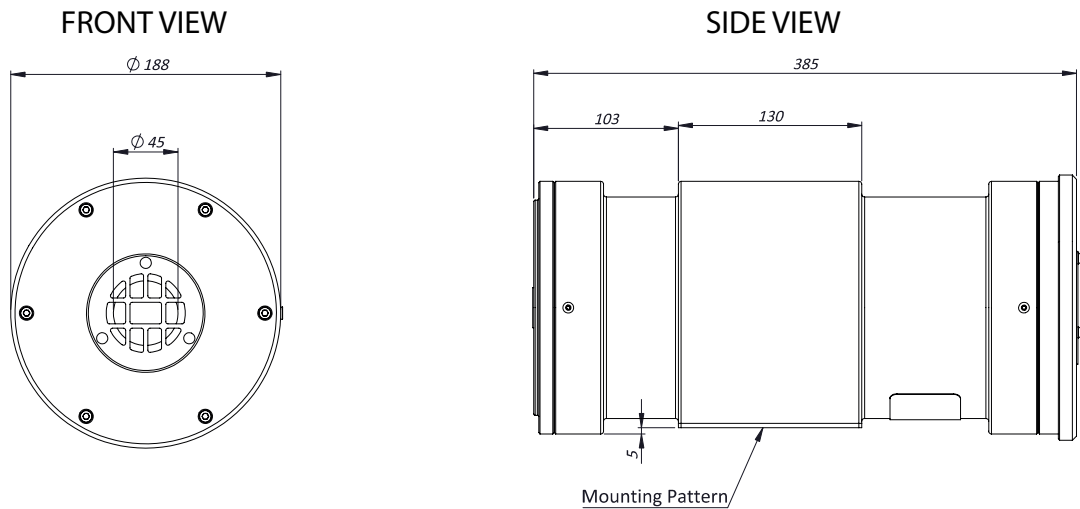
<b>EXACCTF3-A</b>	3 meters armoured composite cable tail (power, Ethernet, data) with 2x M25 barrier nickel plated brass glands.
<b>EXACCTF3-C</b>	3 meters armoured composite cable tail (power, data, fiber optic) with 2x M25 barrier nickel plated brass glands. Fiber termination: SC
<b>EXACCTF5-A</b>	5 meters armoured composite cable tail (power, Ethernet, data) with 2x M25 barrier nickel plated brass glands.
<b>EXACCTF5-C</b>	5 meters armoured composite cable tail (power, data, fiber optic) with 2x M25 barrier nickel plated brass glands. Fiber termination: SC
<b>EXACCTF10-A</b>	10 meters armoured composite cable tail (power, Ethernet, data) with 2x M25 barrier nickel plated brass glands.
<b>EXACCTF10-C</b>	10 meters armoured composite cable tail (power, data, fiber optic) with 2x M25 barrier nickel plated brass glands. Fiber termination: SC

#### ACCESSORIES

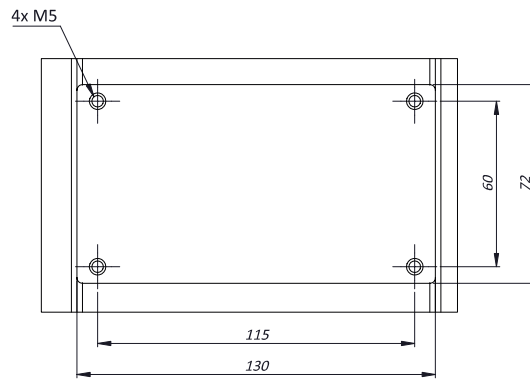
<b>SSXEP</b>	AlSi316L sunshield
<b>SSBK-M</b>	AlSi316L wall mounting bracket
<b>SSPM-M</b>	AlSi316L pole mount adapter for SSBK-M
<b>PSU01</b>	Power supply 230VAC/24VAC
<b>PSU02</b>	Power supply 115-230VAC/12VDC

## EXPLOSION PROOF CAMERA HOUSING

### DIMENSIONS



### MOUNTING PATTERN



### MAX EXTERNAL LENGTH

Model	L1 [mm]	L2 [mm]
CHEP-IR/24	450	385
CHEP-IR/230	450	385

### MAX INTERNAL USABLE AREA

Model	Max internal dimensions [mm]	Max usable internal diameter [mm]
CHEP-IR/24	W90xH70xD230 or W70XH80xD230	114
CHEP-IR/230	W90xH70xD230 or W70XH80xD230	114