



**tekno system**<sup>®</sup>  
by TECNOVIDEO



# CHEPTB SERIES

EXPLOSION PROOF CAMERA HOUSING

HAZARDOUS AREA

- EXPLOSIONPROOF CCTV CAMERA
- INTEGRATED BOSCH DINION IP STARLIGHT AND VARIFOCAL LENS
- ANTICORODAL ALUMINUM CONSTRUCTION
- COST EFFECTIVE



POWERED BY  
 **BOSCH**  
DINION IP



## TECHNICAL SPECIFICATIONS

### GENERAL & MECHANICAL

**Dimensions** See drawings next page  
**Operating Temperature** -20°C +50°C (-4° +122°F)  
**Construction** Anticorodal Aluminium  
**Finish** Blue Anodized  
**Cable entries** 2x M25x1,5 cable entries

**Weight** Unit: 11kg / Package: 12kg

### ELECTRICAL

**Thermostatically controlled Heater** **T[°C] ON** = 15 ± 5°C, **T[°C] OFF** = 22 ± 4°C

**Available voltages** 24VAC, 115VAC, 230VAC (+/-10%)  
**Max power consumption** 60W

### CERTIFICATION

**Ingress Protection Rating** EN 60529 (IP66/IP67)  
 Ⓜ II 2 G Ex db IIC T6 Gb  
 Ⓜ II 2 D Ex tb IIIC T85°C Db  
**Certified temperature** -20°C +50°C (-4° +122°F)  
**ATEX standards** EN 60079-0; EN 60079-1;  
 EN 60079-28; EN 60079-31  
**IECEX Standards** IEC 60079-0; IEC 60079-1;  
 IEC 60079-28; IEC 60079-31  
**EMC** EN 50130-4; EN/IEC 61000-6-2;  
 EN/IEC 61000-6-4  
**LVD** EN 60950-1; EN 60950-22  
**RoHS** 2011/65/EU  
**WEEE** 2012/19/EU

### CAMERA/LENS

ORDERING INFORMATION

LENS MODELS	DINION IP Starlight CAMERA SERIES		
	6000 HD (6)	7000 HD (7)	8000 HD (8)
LVF-5003C-P2713 (A)	6A	7A	/
LVF-5005C-S4109 (D)	6D	7D	8D

To order the camera and lens to be integrated in the housing, please specify the related number (C = camera series) and letter (L = lens model) in the ordering code (see MODELS).

**Example:** For the housing with integrated DINION IP Starlight 7000 HD (7) and LVF-5005C-S4109 (D) the ordering code is: CHEPTB7D/24.

### MODELS

**CHEPTBCL/24** Fixed camera station, 24VAC.  
**CHEPTBCL/230** Fixed camera station, 230VAC.

C = camera, L = lens. For the ordering codes, please refer to the CAMERA/LENS table.

Heater is included as a standard. Sunshield is supplied separately.

### PRE-ASSEMBLED CABLE TAILS

**EXACCTF5** 5 meters armoured composite cable tail (power, CAT5e, data, fiber optic) with 2x M25 barrier nickel plated brass glands Fiber termination: SC

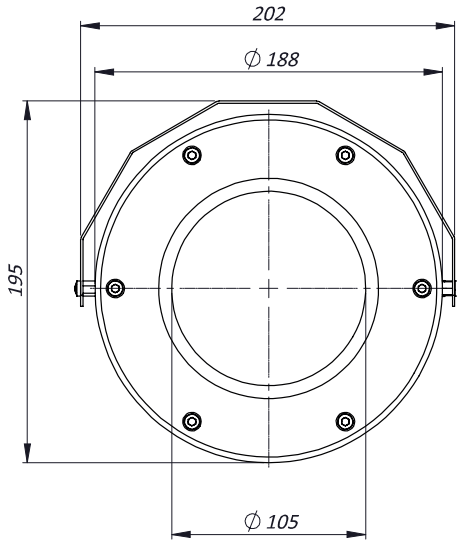
**EXACCTF10** 10 meters armoured composite cable tail (power, CAT5e, data, fiber optic) with 2x M25 barrier nickel plated brass glands Fiber termination: SC

### ACCESSORIES

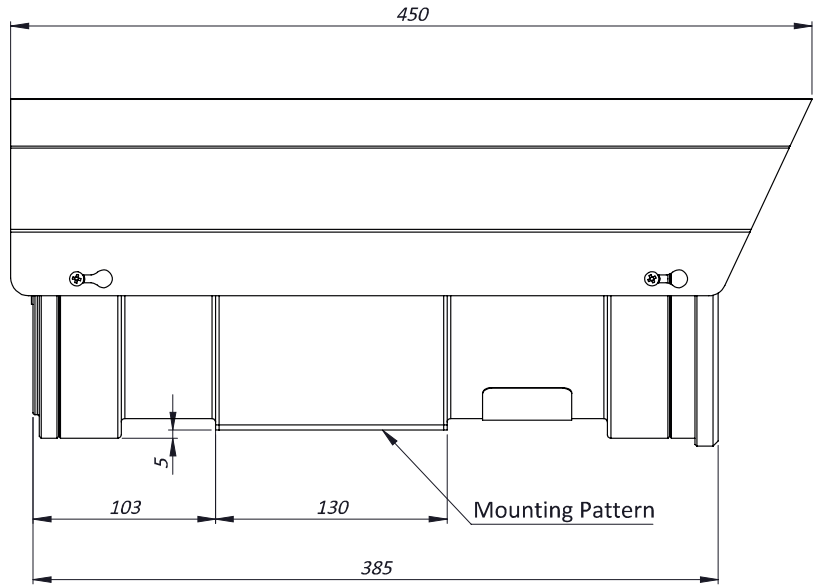
**SSXEP** Sunshield  
**SSBK-M** AISI316L Wall Mount  
**SSPM-M** AISI316L Pole Mount Adapter for SSBK-M

## DIMENSIONS

FRONT VIEW



SIDE VIEW



MOUNTING PATTERN

