

TECNOVIDEO

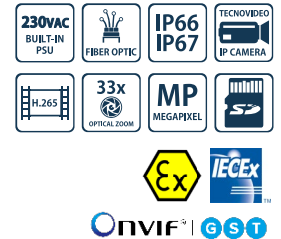
CCTV SYSTEMS AND ACCESSORIES

CHEPTV2 SERIES

EXPLOSION PROOF CAMERA STATION

HAZARDOUS AREA

- ATEX/IECEX CAMERA FOR HAZARDOUS LOCATIONS
- 3MP CAMERA, 30FPS, 33x AUTOFOCUS OPTICAL ZOOM
- ANTICORODAL ALUMINUM CONSTRUCTION
- SUPPORTS 802.1X and SNMP (V1-3)



TECHNICAL SPECIFICATIONS

GENERAL & MECHANICAL

Dimensions	See drawings next page
Operating Temperature	-20°C +50°C (-4°F +122°F)
Construction	Anticorodal Aluminium
Finish	Blue Anodized
Mounting	4x M5 on 60x115
Cable entries	2x M25x1,5 cable entries 2x 3/4" NPT cable entries version is available upon request
Weight	Unit: 13kg / Package: 14kg

ELECTRICAL

Thermostatically controlled heater	T[°C] ON = 14 ± 4°C, T[°C] OFF = 25 ± 3°C
Available voltages	12-24VAC/DC, 115-230VAC (+/- 10%)
Max power consumption	60W

VIDEO/CAMERA

Sensor	1/2.8" Progressive CMOS, 3MP
Compression	M-JPEG/H.264/H.265
Streaming	Up to 4 configurable streams
Resolution	Up to 2065x1553 @30fps
Frame Rate	30 fps
Iris	Auto-Iris, F1.6
Sensitivity	Color: 0.04 lux, B/W: 0.002 lux
Shutter Speed	1~1/10000 s
Optical Filter	Automatically removable IR-cut filter
White Balance	Contrast White Balance
Dynamic range	WDR/Multi Exposure HDR
Image settings	Color, Brightness, Sharpness, Contrast, White Balance, Exposure control, 2DNR/3DNR/NR by motion masking
Event Triggers	External Input, Analytics, Network Failure Detection, Periodical Event, Manual Trigger
Event Actions	External Output Activation
Analytics	Motion Detection/ Tampering/ Audio detection
Lens	33x Optical Zoom, 10x Digital Zoom, AF, P-Iris, Auto-Iris; 4.6-152mm; F1.6
Local Storage	microSD (card not provided)
Network Storage	support for recording to NAS

NETWORK

Interface	10/100 Mbps Ethernet
Security	User Authentication/ HTTPS/ IP Filter/ IEEE 802.1x
ONVIF	ONVIF profile G/S/T compliant
Protocols	IPv4/v6, TCP, UDP, RTP, RTSP, HTTP, HTTPS, ICMP, FTP, SMTP, DHCP, PPPoE, UPnP, IGMP, SNMP, QoS, ARP, NTP

CERTIFICATIONS

Ingress Protection Rating	EN 60529 (IP66/IP67) for all models Ⓜ II 2 G Ex db IIC T6 Gb Ⓜ II 2 D Ex tb IIIC T85°C Db Ⓜ II 2 G Ex db op pr IIC T6 Gb* Ⓜ II 2 D Ex tb op pr IIIC T85°C Db* <i>*for version with fiber optic</i>
Certified temperature	-20°C +50°C (-4° +122°F)
ATEX Standards	EN 60079-0; EN 60079-1; EN 60079-28; EN 60079-31
IECEX Standards	IEC 60079-0; IEC 60079-1; IEC 60079-28; IEC 60079-31
EMC	EN 50130-4; EN/IEC 61000-6-2; EN/IEC 61000-6-4
LVD	EN 60950-1; EN 60950-22
RoHS	2011/65/EU + 2015/863/EU (RoHS 3)
WEEE	2012/19/EU

MODELS

CHEPTV2/24	Fixed camera station with heater, 24VAC
CHEPTV2/115	Fixed camera station with heater, 115VAC
CHEPTV2/230	Fixed camera station with heater, 230VAC

PRE-ASSEMBLED CONDUIT TAILS

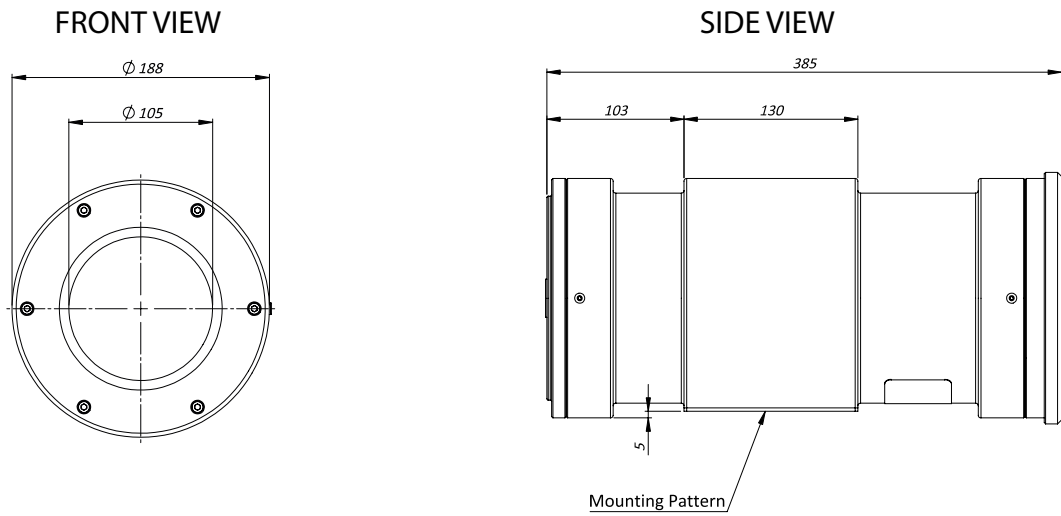
EXACCTF3-A	3 meters armoured composite cable tail (power, Ethernet, data) with 2x M25 barrier nickel plated brass glands.
EXACCTF5-A	5 meters armoured composite cable tail (power, Ethernet, data) with 2x M25 barrier nickel plated brass glands.
EXACCTF10-A	10 meters armoured composite cable tail (power, Ethernet, data) with 2x M25 barrier nickel plated brass glands.

ACCESSORIES

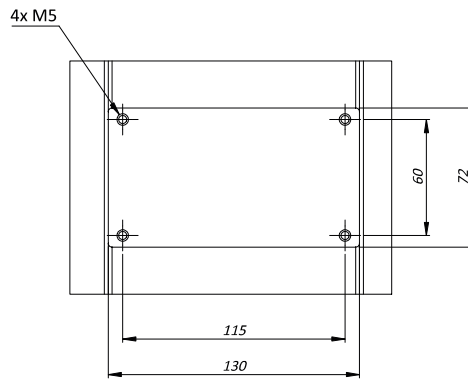
SSXEP	AlSi316L sunshield
SSBK-M	AlSi316L wall mounting bracket
SSPM-M	AlSi316L pole mount adapter for SSBK-M

EXPLOSION PROOF CAMERA STATION

DIMENSIONS



MOUNTING PATTERN



MAX EXTERNAL LENGTH

Model	L1 [mm]	L2 [mm]
CHEPTV2/24	450	385
CHEPTV2/115	450	385
CHEPTV2/230	450	385