

EXJBd04 SERIES

FLAMEPROOF JUNCTION BOX

HAZARDOUS AREA

- ATEX/IECEx FLAMEPROOF JUNCTION BOX
- Ex db IIB OR IIB+H2
- SUITABLE FOR ZONE 1-21, 2-22
- ALUMINIUM CONSTRUCTION
- WEATHERPROOF STANDARD IP66



TECHNICAL SPECIFICATIONS

GENERAL & MECHANICAL

Dimensions	See drawings next page
Operating Temperature	-60° +60°C (-76° +140° F)
Construction	Aluminium
Surface treatment	Polyurethane painting cycle - Blue colour RAL5014
Hardware and Screws	AISI316L Stainless steel external screws Galvanized steel mounting brackets
Mounting	4x M8 on 300x300
Weight	19,0kg

ELECTRICAL

Cable entries	2 x M25 x 1.5mm 4 x M20 x 1.5mm
Terminal Blocks	3 x 2.5mm ² (Power connection) 3 x 2.5mm ² (Washer Out connection) 4 x 2.5mm ² (Spare DI/DO connection)
fiber optic media converter	Converts 10/100Base-TX to 100Base-FX Cabling Singlemode (9/125 μm) /2-fiber/SC Maximum distance 20km Wavelength 1310nm
Power supply	Input 230VAC or 115VAC Output 24VAC, 100VAC

ETHERNET CONNECTIONS

Ethernet Terminal Blocks	8 wires x 2.5mm ² (10/100/1000Base-TX) <i>The above Ethernet Connections are available only on EXJBd04/IP version.</i>
Fiber Splice Tray	6 fibers x SC Duplex Fiber Adapter (100/1000Base-FX) Singlemode (9/125 μm), 2-fiber, SC Duplex Integrated max 12 ports Singlemode FO <i>The above Fiber Optic Connections are available only on EXJBd04/FO version.</i>

CERTIFICATIONS

Ingress Protection Rating	EN60529 (IP66) II 2 GD Ex db IIB T(**) Gb or Ex db IIB+H2 T(**) Gb Ex tb IIIC T(**) Db IP65 or 66 ** T6/T85°C, T5/T100°C, T4/T135°C, T3/T200°C II 2(1) GD Ex db [ia Ga] IIB T6 Gb or Ex db [ia Ga] IIB+H2 T6 Gb Ex tb [ia Da] IIIC T85°C Db IP65 or 66 II 2(2) GD Ex db [ib] IIB T6 Gb or Ex db [ib] IIB+H2 T6 Gb Ex tb [ib] IIIC T85°C Db IP65 or 66
ATEX Standards	EN 60079-0; EN 60079-1; EN 60079-7; EN 60079-11; EN 60079-18; EN 60079-31
IECEx Standard	IEC 60079-0; IEC 60079-1; IEC 60079-7; IEC 60079-11; IEC 60079-18; IEC 60079-31

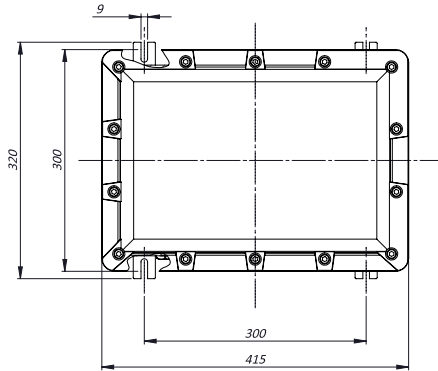
MODELS

EXJBd04IP/24	Aluminium 'Ex d' Junction Box, with power supply, electrical terminal blocks and 2 x M25 x 1.5mm and 4 x M20 x 1.5mm cable entries, 24VAC
EXJBd04IP/115	Aluminium 'Ex d' Junction Box, with power supply, electrical terminal blocks and 2 x M25 x 1.5mm and 4 x M20 x 1.5mm cable entries, 115VAC
EXJBd04IP/230	Aluminium 'Ex d' Junction Box, with power supply, electrical terminal blocks and 2 x M25 x 1.5mm and 4 x M20 x 1.5mm cable entries, 230VAC
EXJBd04FO/24	Aluminium 'Ex d' Junction Box, with FO single mode media converter, power supply, electrical terminal blocks and FO splice tray with SC-SC adapter, 2 x M25 x 1.5mm and 4 x M20 x 1.5mm cable entries, 24VAC
EXJBd04FO/115	Aluminium 'Ex d' Junction Box, with FO single mode media converter, power supply, electrical terminal blocks and FO splice tray with SC-SC adapter, 2 x M25 x 1.5mm and 4 x M20 x 1.5mm cable entries, 115VAC
EXJBd04FO/230	Aluminium 'Ex d' Junction Box, with FO single mode media converter, power supply, electrical terminal blocks and FO splice tray with SC-SC adapter, 2 x M25 x 1.5mm and 4 x M20 x 1.5mm cable entries, 230VAC

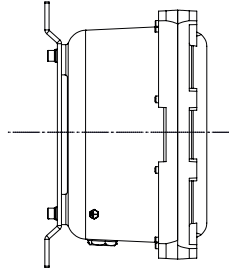
FLAMEPROOF JUNCTION BOX

DIMENSIONS

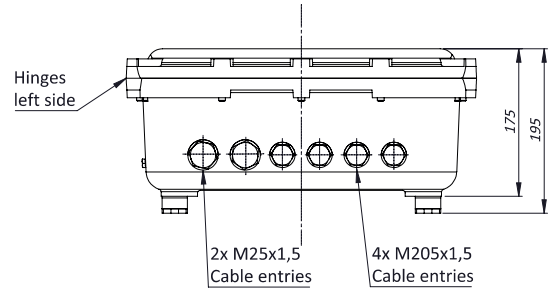
FRONT VIEW



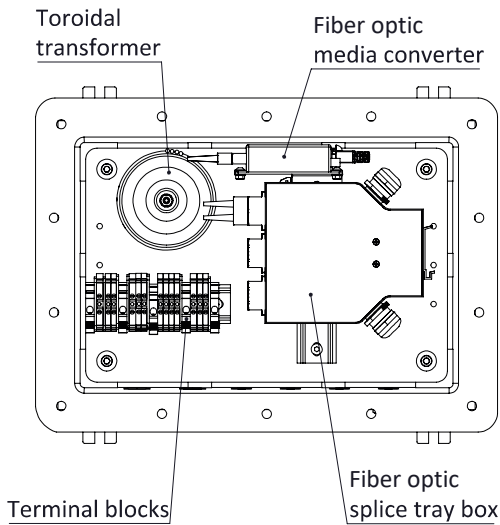
SIDE VIEW



BELOW VIEW



INTERNAL VIEW (EXJBd04FO VERSION)



INTERNAL VIEW (EXJBd04IP VERSION)

