

EXPTZDUAL SERIES

STAINLESS STEEL PTZ DUAL CAMERA HOUSING

HAZARDOUS AREA

- ATEX/IECEX/UKCA/INMETRO DUAL PTZ FOR HAZARDOUS LOCATIONS
- AISI316L STAINLESS STEEL CONSTRUCTION
- AVAILABLE FOR CUSTOMER SPECIFIED IP VISIBLE AND THERMAL CAMERAS
- -40°C +60°C (+75°C PEAK)
- OPTIONAL BUILT-IN FIBER MEDIA CONVERTER
- OPTIONAL BUILT-IN 115VAC or 230VAC POWER SUPPLY
- THERMAL WINDOW AVAILABLE ALSO WITHOUT GRID (Tecnovideo Patent)



TECHNICAL SPECIFICATIONS

GENERAL & MECHANICAL

Dimensions	See drawings next page
Operating Temperature	-40° +60°C, +75°C peak (-40°F +140°F, +167°F peak)
Construction	AISI316L Stainless Steel
Finish	Electro-polished
Mounting	4x Ø11 on 195 PCD
Cable entries	1x M25x1,5 cable entry
Wiper	Yes
Pan Angle	360° continuous rotation
Pan Speed	0 – 36°/second
Pan Torque	20Nm (limited with safety device)
Tilt Angle	180° (+/-90°)
Tilt Speed	0 – 18°/second
Tilt Torque	20Nm (limited with safety device)
Rotation angle	Electronically adjustable
Backlash	<0,1°
Max preset accuracy	0.04°
Control protocol	Pelco D (via RS485)
Weight	Unit: 47kg / Gross weight: 52,5kg
ELECTRICAL	
Thermostatically controlled heater	T[°C] ON = 12 ± 4°C, T[°C] OFF = 20 ± 3°C
Supply voltage	24VAC, 115VAC, 230VAC (+/-10%)
Power consumption	120W MAX

CERTIFICATIONS

Ingress Protection Rating	EN 60529 (IP66/IP67) Ⓜ II 2 G Ex db op pr IIC T6 Gb -40°C ≤ Tamb ≤ +60°C Ⓜ II 2 D Ex tb IIIC T85°C Db -40°C ≤ Tamb ≤ +60°C Ⓜ II 2 G Ex db op pr IIB T5 Gb -40°C ≤ Tamb ≤ +75°C Ⓜ II 2 D Ex tb IIIC T100°C Db -40°C ≤ Tamb ≤ +75°C
ATEX Standards	EN 60079-0; EN 60079-1; EN 60079-28; EN 60079-31
IECEX Standards	IEC 60079-0; IEC 60079-1; IEC 60079-28; IEC 60079-31
EMC	EN 50130-4; EN 55035 ; EN/IEC 61000-6-2 ; EN/IEC 61000-6-4
LVD	EN 60950-1; EN 60950-22
RoHS	2011/65/EU + 2015/863/EU (RoHS 3)
WEEE	2012/19/EU

MODELS

EXPTZDUAL-CR/24	Dual PTZ housing for Day/Night and Thermal cameras, 24VAC
EXPTZDUAL-CR/115	Dual PTZ housing for Day/Night and Thermal cameras, 115VAC
EXPTZDUAL-CR/230	Dual PTZ housing for Day/Night and Thermal cameras, 230VAC

All the above PTZ models include sunshield and heater, a built-in telemetry receiver, variable speed motors, fixed cable entry 1x M25x1,5 on a base mount junction box.

Available upon request: Built-in Fiber Media Converter

PRE-ASSEMBLED CABLE TAILS

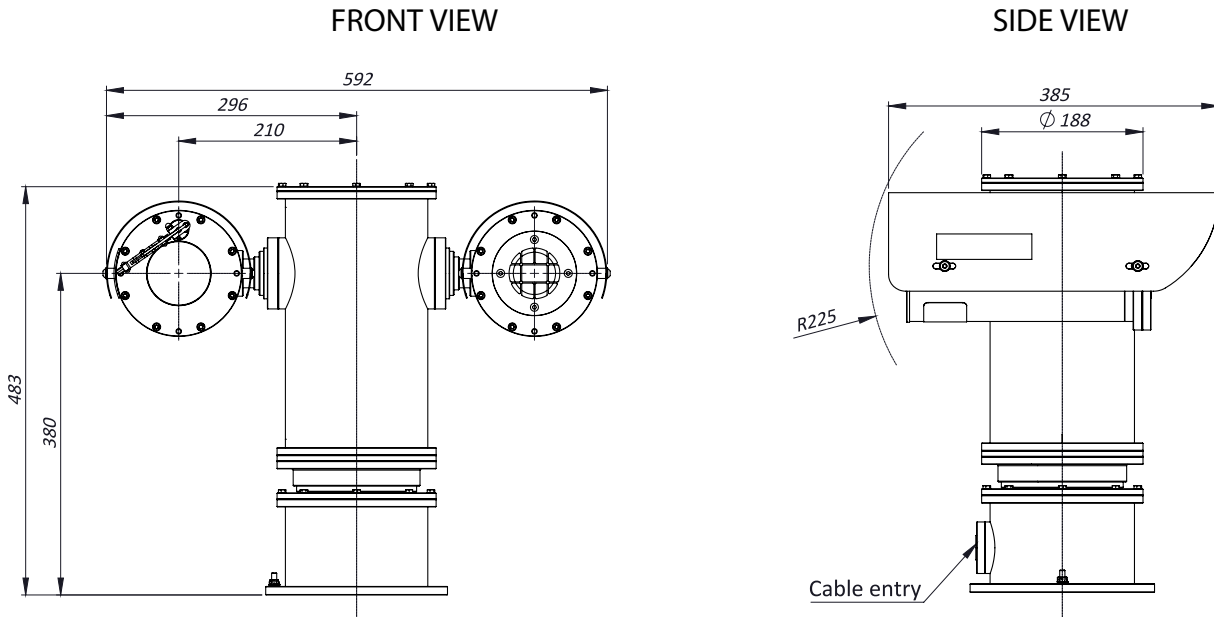
EXACCTF3-B	3 meters armoured composite cable tail (power, Ethernet, data) with 2x M25 barrier nickel plated brass glands. For PTZ camera.
EXACCTF3-D	3 meters armoured composite cable tail (power, data, fiber optic) with 2x M25 barrier nickel plated brass glands. Fiber termination: SC. For PTZ camera.
EXACCTF5-B	5 meters armoured composite cable tail (power, Ethernet, data) with 2x M25 barrier nickel plated brass glands. For PTZ camera.
EXACCTF5-D	5 meters armoured composite cable tail (power, data, fiber optic) with 2x M25 barrier nickel plated brass glands. Fiber termination: SC. For PTZ camera.
EXACCTF10-B	10 meters armoured composite cable tail (power, Ethernet, data) with 2x M25 barrier nickel plated brass glands. For PTZ camera.
EXACCTF10-D	10 meters armoured composite cable tail (power, data, fiber optic) with 2x M25 barrier nickel plated brass glands. Fiber termination: SC. For PTZ camera.

ACCESSORIES

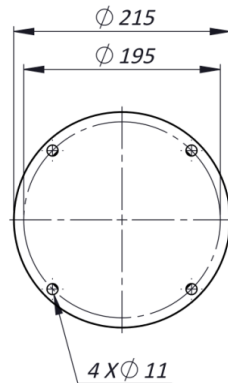
SSBK-L	Wall mounting bracket
---------------	-----------------------

STAINLESS STEEL PTZ DUAL CAMERA HOUSING

DIMENSIONS



MOUNTING PATTERN



The unit cannot be installed upside-down nor horizontally

MAX EXTERNAL LENGTH

Model	L1 [mm] Height	L2 [mm] Width
EXPTZDUAL-CR/24	483	592
EXPTZDUAL-CR/115	483	592
EXPTZDUAL-CR/230	483	592

MAX INTERNAL AVAILABLE DIMENSIONS

Model	Max internal dimensions [mm]	Max usable internal diameter [mm]
EXPTZD (Day/Night)	80x80x145	90
EXPTZD (Thermal)	80x80x160	95

Please contact us if bigger cameras/zoom lenses are needed.

Please contact us in case the camera dimensions are near to the max internal usable dimension in order to develop a custom fitting solution.