

# TECNOVIDEO

CCTV SYSTEMS AND ACCESSORIES

## EXPTZIR SERIES

STAINLESS STEEL THERMAL PTZ CAMERA HOUSING

HAZARDOUS AREA

- ATEX/IECEX/UKCA/INMETRO PTZ FOR HAZARDOUS LOCATIONS
- AISI316L STAINLESS STEEL CONSTRUCTION
- AVAILABLE FOR CUSTOMER SPECIFIED IP THERMAL CAMERAS
- GERMANIUM OR SAPPHIRE WINDOW VERSIONS
- GRIDLESS GERMANIUM WINDOW VERSION (Patented)
- -40°C +60°C (+75°C PEAK)
- OPTIONAL BUILT-IN FIBER MEDIA CONVERTER
- OPTIONAL BUILT-IN 115VAC or 230VAC POWER SUPPLY



### TECHNICAL SPECIFICATIONS

#### GENERAL & MECHANICAL

<b>Dimensions</b>	See drawings next page
<b>Operating Temperature</b>	-40° +60°C, +75°C peak (-40°F +140°F, +167°F peak)
<b>Construction</b>	AISI316L Stainless Steel
<b>Finish</b>	Electro-polished
<b>Mounting</b>	4x Ø11 on 195 PCD
<b>Cable entries</b>	1x M25x1,5 cable entry

<b>Pan Angle</b>	360° (continuous rotation)
<b>Pan Speed</b>	0 – 36°/second
<b>Pan Torque</b>	20Nm (limited with safety device)

<b>Tilt Angle</b>	180° (+/-90°)
<b>Tilt Speed</b>	0 – 18°/second
<b>Tilt Torque</b>	20Nm (limited with safety device)

<b>Rotation angle</b>	Electrically adjustable
<b>Backlash</b>	<0,1°
<b>Max preset accuracy</b>	0,04°

<b>Control protocol</b>	Pelco D (via RS485)
-------------------------	---------------------

<b>Weight</b>	Unit: 35,5kg / Gross weight: 40,5kg
---------------	-------------------------------------

#### ELECTRICAL

<b>Thermostatically controlled heater</b>	T[°C] ON = 12 ± 4°C, T[°C] OFF = 20 ± 3°C
---	---

<b>Supply voltage</b>	24VAC, 115VAC, 230VAC (+/-10%)
<b>Power consumption</b>	95W MAX

#### CERTIFICATIONS

<b>Ingress Protection Rating</b>	EN 60529 (IP66/IP67) ⓂII 2 G Ex db op pr IIC T6 Gb -40°C ≤ Tamb ≤ +60°C ⓂII 2 D Ex tb IIIC T85°C Db -40°C ≤ Tamb ≤ +60°C ⓂII 2 G Ex db op pr IIB T5 Gb -40°C ≤ Tamb ≤ +75°C ⓂII 2 D Ex tb IIIC T100°C Db -40°C ≤ Tamb ≤ +75°C
----------------------------------	---

<b>Vibrations</b>	EN/IEC 60068-2-6; EN/IEC 60068-2-27
<b>ATEX Standards</b>	EN 60079-0; EN 60079-1; EN 60079-28; EN 60079-31

<b>IECEX Standards</b>	IEC 60079-0; IEC 60079-1; IEC 60079-28; IEC 60079-31
<b>EMC</b>	EN 50130-4; EN 55035; EN/IEC 61000-6-2; EN/IEC 61000-6-4

<b>LVD</b>	EN 60950-1; EN 60950-22
<b>RoHS</b>	2011/65/EU + 2015/863/EU (RoHS 3)
<b>WEEE</b>	2012/19/EU

#### MODELS

<b>EXPTZIR-CR/24<sup>1</sup></b>	PTZ camera housing, Germanium window with protective front grid, 24VAC
<b>EXPTZIR-CR/115<sup>1</sup></b>	PTZ camera housing, Germanium window with protective front grid, 115VAC
<b>EXPTZIR-CR/230<sup>1</sup></b>	PTZ camera housing, Germanium window with protective front grid, 230VAC
<b>EXPTZIR-SW-CR/24</b>	PTZ camera housing, GRIDLESS Germanium window, 24VAC
<b>EXPTZIR-SW-CR/115</b>	PTZ camera housing, GRIDLESS Germanium window, 115VAC
<b>EXPTZIR-SW-CR/230</b>	PTZ camera housing, GRIDLESS Germanium window, 230VAC

All the above PTZ camera housings include a built-in telemetry receiver, variable speed motors, fixed cable entry 1x M25x1,5 on a base mount junction box.

<sup>1</sup> Usable front window diameter: 50 mm (Germanium window with Hard Carbon Coating)

Available upon request:  
- SAPPHIRE window with protective front grid (for MWIR thermal cameras);  
- Built-in Fiber media converter.

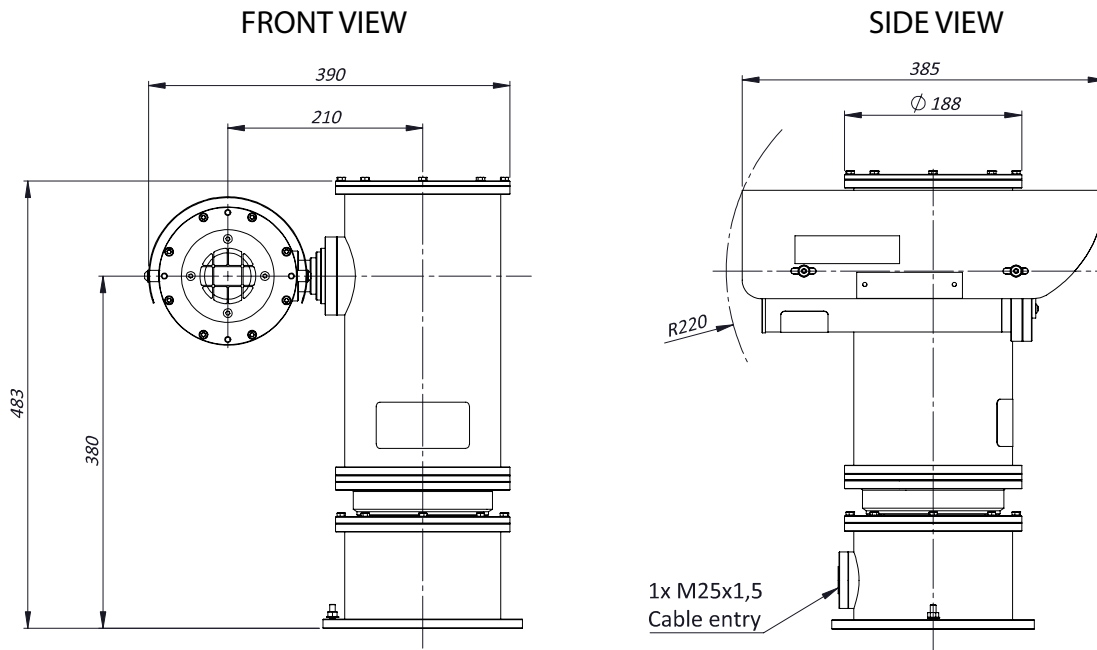
#### PRE-ASSEMBLED CABLE TAILS

<b>EXACCTF3-B</b>	3 meters armoured composite cable tail (power, Ethernet, data) with 2x M25 barrier nickel plated brass glands. For PTZ camera
<b>EXACCTF3-D</b>	3 meters armoured composite cable tail (power, data, fiber optic) with 2x M25 barrier nickel plated brass glands. Fiber termination: SC. For PTZ camera
<b>EXACCTF5-B</b>	5 meters armoured composite cable tail (power, Ethernet, data) with 2x M25 barrier nickel plated brass glands. For PTZ camera
<b>EXACCTF5-D</b>	5 meters armoured composite cable tail (power, data, fiber optic) with 2x M25 barrier nickel plated brass glands. Fiber termination: SC. For PTZ camera
<b>EXACCTF10-B</b>	10 meters armoured composite cable tail (power, Ethernet, data) with 2x M25 barrier nickel plated brass glands. For PTZ camera
<b>EXACCTF10-D</b>	10 meters armoured composite cable tail (power, data, fiber optic) with 2x M25 barrier nickel plated brass glands. Fiber termination: SC. For PTZ camera

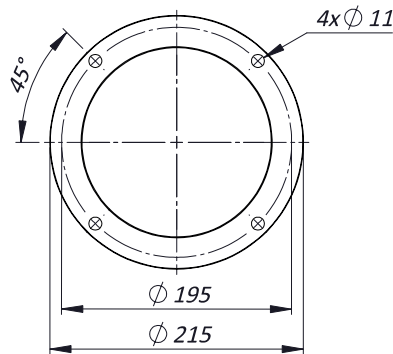
#### ACCESSORIES

<b>SSBK-L</b>	Wall mounting bracket
---------------	-----------------------

**DIMENSIONS**



**MOUNTING PATTERN**



**MAX EXTERNAL LENGTH**

Model	L1 [mm]	L2 [mm]
EXPTZIR-CR/24	483	385
EXPTZIR-CR/115	483	385
EXPTZIR-CR/230	483	385

**MAX INTERNAL AVAILABLE DIMENSIONS**

Model	Max internal dimensions [mm]	Max usable internal diameter [mm]
EXPTZIR-SW/EXPTZIR	80x80x160	95

*Please contact us if bigger cameras/zoom lenses are needed.*

*Please contact us in case the camera dimensions are near to the max internal usable dimension in order to develop a custom fitting solution.*

*The unit cannot be installed upside-down nor horizontally*

Dimensions in millimetres – Tolerances according QMS – Design and products specifications subject to change without notice – rev. 20211129