

# TECNOVIDEO

CCTV SYSTEMS AND ACCESSORIES

## EXUSF129TB SERIES

FLAMEPROOF FIXED CAMERA STATION

HAZARDOUS AREA

- HAZARDOUS LOCATIONS CERTIFIED CAMERA
- INTEGRATED **BOSCH DINION IP** STARLIGHT CAMERA WITH VARIFOCAL LENS
- AISI316L STAINLESS STEEL CONSTRUCTION
- CERTIFICATION TEMPERATURE -40°C +75°C
- OPTIONAL BUILT-IN FIBER MEDIA CONVERTER
- OPTIONAL BUILT-IN 120VAC POWER SUPPLY
- OPTIONAL WIPER



POWERED BY  
**BOSCH**  
DINION IP



### TECHNICAL SPECIFICATIONS

#### GENERAL & MECHANICAL

<b>Dimensions</b>	See drawings next page
<b>Operating Temperature</b>	-40°F +140°F (-40° +60°C), cold start -22°F (-30°C)
<b>Construction</b>	AISI316L Stainless Steel
<b>Finish</b>	Electro-polished
<b>Mounting</b>	4x M5 on 101,6 PCD 4x M6 on 90x130
<b>Cable entries</b>	2x M25 x1,5 or 3/4in (adapter)
<b>Wiper</b>	Optional
<b>Weight</b>	
<b>EXUSF129TB-C2M</b>	unit: 13kg (28.6lb) package: 14,5kg (32lb)
<b>EXUSF129WRTB-C2L</b>	unit: 15kg (33lb) package: 16,5kg (36,5lb)

#### ELECTRICAL

<b>Thermostatically controlled heater</b>	
<b>T[°C] ON</b>	= 53 ±39°F (12 ±4°C)
<b>T[°C] OFF</b>	= 68°F ± 37°F (20 ± 3°C)
<b>Available voltages</b>	24VAC, 120VAC (+/-10%) PoE available upon request.
<b>Max power consumption</b>	25W MAX

#### CAMERA/LENS

ORDERING INFORMATION

LENS MODELS	DINION IP Starlight CAMERA SERIES		
	6000 HD (6)	7000 HD (7)	8000 HD (8)
LVF-5003C-P2713 (A)	6A	7A	/
LVF-5005C-S4109 (D)	6D	7D	8D

To order the camera and lens to be integrated in the housing, please specify the related number (C-camera series) and letter (L-lens model) in the ordering code (see MODELS).

#### Example:

For the housing with integrated DINION IP Starlight 7000 HD (7) and LVF-5005C-S4109 (D) the ordering code is: EXUSF129TB7D-C2M/24

#### NETWORK

<b>Interface</b>	10/100 Base-T, auto-sensing, half/full duplex, Auto-MDIX
<b>Security</b>	Three-level password protection, HTTPS, TPM/PKI, 802.1X with EAP/TLS 1.2
<b>Onvif</b>	ONVIF profile S
<b>Protocols</b>	IPv4, IPv6, UDP, TCP, HTTP, HTTPS, RTP/RTCP, IGMP V2/V3, ICMP, ICMPv6, RTSP, FTP, Telnet, ARP, DHCP, APIPA (Auto-IP, link local address), NTP (SNTP), SNMP (V1, MIBII), 802.1x, DNS, DNSv6, DDNS (DynDNS.org, selfHOST.de, no-ip.com), SMTP, iSCSI, UPnP (SSDP), DiffServ (QoS), LLDP, SOAP, Dropbox, CHAP, digest authentication

#### CERTIFICATIONS

<b>Ingress Protection Rating</b>	EN 60529 (IP66/IP67); NEMA 4X Class I, Zone 1, AEx db op pr IIIC T6 Gb -40°C ≤ Tamb ≤ +60°C Zone 21, AEx tb IIIC T85°C Db -40°C ≤ Tamb ≤ +55°C Zone 21, AEx tb IIIC T90°C Db -40°C ≤ Tamb ≤ +60°C Class I, Zone 1, AEx db op pr IIB T5 Gb -40°C ≤ Tamb ≤ +75°C Zone 21, AEx tb IIIC T100°C Db -40°C ≤ Tamb ≤ +70°C Zone 21, AEx tb IIIC T105°C Db -40°C ≤ Tamb ≤ +75°C Class I, Div 2, Group A, B, C, D T6 -40°C ≤ Tamb ≤ +60°C * Class I, Div 2, Group C, D T5 -40°C ≤ Tamb ≤ +75°C *
----------------------------------	--

\* Suitable for Class I Div 2 using Zone 1 wiring methods as permitted per NEC Art. 501

<b>IECEX Standards</b>	IEC 60079-0; IEC 60079-1; IEC 60079-28; IEC 60079-31
<b>EMC</b>	EN 50130-4; EN 55035 ; EN/IEC 61000-6-2 ; EN/IEC 61000-6-4
<b>LVD</b>	EN 60950-1; EN 60950-22
<b>FCC</b>	FCC part 15B
<b>RoHS</b>	2011/65/EU + 2015/863/EU (RoHS 3)
<b>WEEE</b>	2012/19/EU
<b>North American Standards</b>	FM Class 3600; FM Class 3810; ANSI/UL 61010-1; ANSI/UL 60079-0; ANSI/UL 60079-1; ANSI/UL 60079-28; ANSI/ISA 60079-31; ANSI/UL 50E; ANSI/IEC 60529 CSA C22.2 No. 0.4; CSA C22.2 No. 0.5; CAN/CSA C22.2 No. 61010-1; CAN/CSA-C22.2 No. 60079-0; CAN/CSA-C22.2 No. 60079-1; CAN/CSA-C22.2 No. 60079-28; CAN/CSA-C22.2 No. 60079-31; CSA C22.2 No. 94.2; CAN/CSA C22.2 No. 60529

#### MODELS

<b>EXUSF129TBCL-C2M/24</b>	Flameproof camera station, 24VAC
<b>EXUSF129TBCL-C2M/120</b>	Flameproof camera station, 120VAC
<b>EXUSF129WRTBCL-C2L/241</b>	Flameproof camera station with wiper, 24VAC
<b>EXUSF129WRTBCL-C2L/2301</b>	Flameproof camera station with wiper, 120VAC

C = camera, L = lens. For the ordering codes, please refer to the CAMERA/LENS table.

Available upon request:

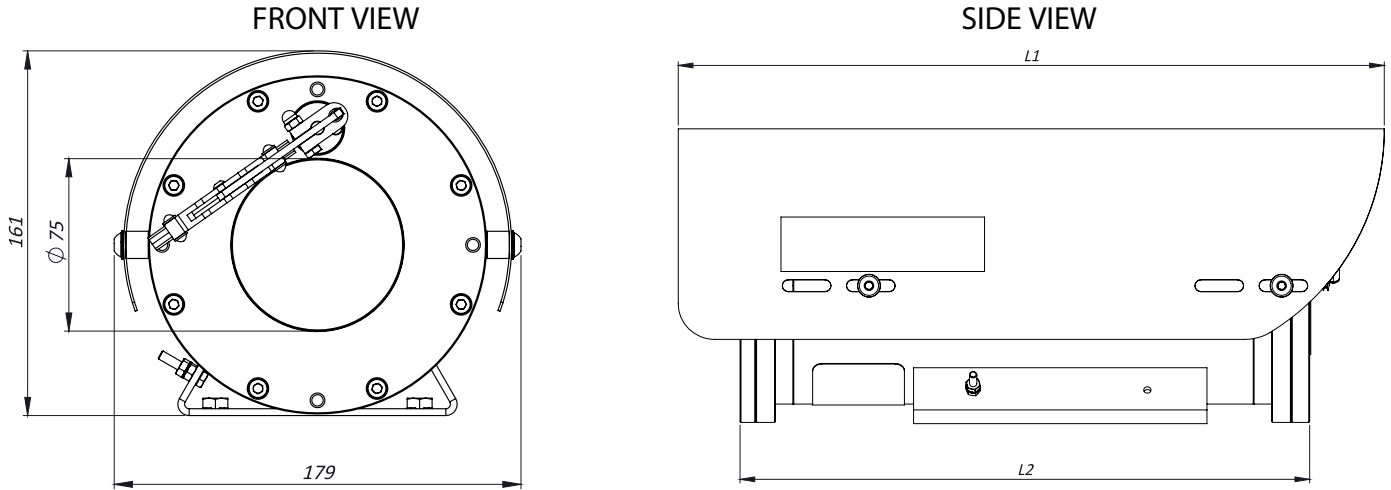
- built-in Single Mode fiber optic Media Converter
- POE

#### ACCESSORIES

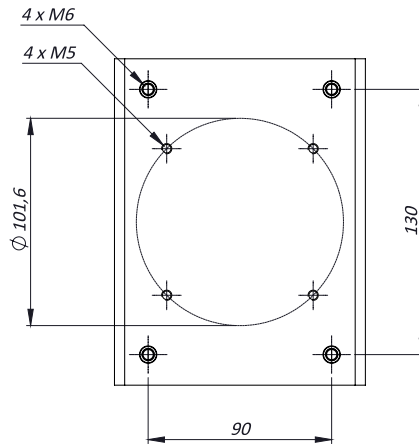
<b>SSBK-M</b>	Wall mounting bracket
<b>SSPM-M</b>	Pole mount adapter for SSBK-M
<b>SSPTM-M</b>	Top pole mount adapter

## DIMENSIONS

The dimensions in the technical drawings are in millimetres.



## MOUNTING PATTERN



## MAX EXTERNAL LENGTH

Model	L1 [mm]	L2 [mm]
EXUSF129TBCL-C2M	510 (20in)	437 (17in)
EXUSF129WRTBCL-C2L	630 (25in)	560 (22in)

For further technical data of Bosch cameras and lenses, please visit the official Bosch Security website. Bosch, its logos and emblems are registered trademarks of Robert Bosch GmbH.

Dimensions in millimetres – Tolerances according QMS – Design and products specifications subject to change without notice – rev. 20220216