

## EXUSF129TH02 SERIES

FLAMEPROOF FIXED CAMERA STATION

HAZARDOUS AREA

- HAZARDOUS LOCATIONS CERTIFIED CAMERA
- POWERED BY **WISENET XNZ-L6320**, DAY/NIGHT FULL HD, 32X OPTICAL ZOOM
- AISI316L STAINLESS STEEL CONSTRUCTION
- CERTIFICATION TEMPERATURE -40°C +75°C
- OPTIONAL BUILT-IN FIBER MEDIA CONVERTER
- OPTIONAL BUILT-IN 120VAC POWER SUPPLY
- WIPER



### TECHNICAL SPECIFICATIONS

#### GENERAL & MECHANICAL

<b>Dimensions</b>	See drawings next page
<b>Operating Temperature</b>	-4° +140° F (-20° +60°C)
<b>Construction</b>	AISI316L Stainless Steel
<b>Finish</b>	Electro-polished
<b>Mounting</b>	4x M5 on 101,6 PCD 4x M6 on 90x130
<b>Cable entries</b>	2x M25 x1,5 or 3/4in (adapter)
<b>Wiper</b>	Yes
<b>Weight</b>	Unit: 15kg (33lb)/ Package: 16,5kg (36.4lb) (version with wiper)

#### ELECTRICAL

<b>Thermostatically controlled heater</b>	
<b>T[°C] ON = 53 ±39°F (12 ± 4°C) T[°C] OFF = 68°F ± 37°F (20 ± 3°C)</b>	
<b>Available voltages</b>	24VAC, 120VAC (+/-10%) PoE available upon request.
<b>Max power consumption</b>	25W MAX

#### VIDEO/CAMERA

<b>Sensor</b>	1/2.8" 2MP CMOS
<b>Compression</b>	H.265/H.264: Main/Baseline/High, MJPEG
<b>Streaming</b>	Unicast(20 users) / Multicast Multiple streaming(Up to 10 profiles)
<b>Resolution</b>	1920x1080
<b>Frame Rate</b>	H.265/H.264 : Max. 60fps/50fps(60Hz/50Hz)
<b>Iris</b>	DC auto iris
<b>Sensitivity</b>	Color: 0.05 lux(F1.6, 1/30sec) B/W: 0.005 lux(F1.6, 1/30sec)
<b>Shutter Speed</b>	Minimum / Maximum / Anti flicker (2~1/12,000sec)
<b>White Balance</b>	ATW / AWC / Manual / Indoor / Outdoor
<b>Wide Dynamic range</b>	WDR
<b>Noise Reduction</b>	SSNR V
<b>Event Trigger</b>	Analytics, Network disconnect, Alarm input
<b>Analytics</b>	Defocus detection, Directional detection, Fog detection, Face detection, Motion detection, Digital auto tracking, Appear/Disappear, Enter/Exit, Loitering, Tampering, Virtual line
<b>Selectable Functions</b>	Analytics, Tamper Detection, Objects in Area, Object Loitering, Objects Crossing Beam, Object Appears or Enters Area, Direction Violated
<b>Lens</b>	4.44~142.6mm(32x) motorized, F1.6(Wide) ~ F4.4(Tele)
<b>Local Storage</b>	Micro SD/SDHC/SDXC 1slot 256GB
<b>Network Storage</b>	NAS

#### NETWORK

<b>Interface</b>	RJ-45(10/100BASE-T)
<b>Security</b>	HTTPS(SSL) Login Authentication, Digest Login Authentication, IP Address Filtering, User access Log, 802.1X Authentication (EAP-TLS, EAP-LEAP)
<b>Onvif Protocols</b>	ONVIF profile G/S/T compliant IPv4, IPv6, TCP/IP, UDP/IP, RTP(UDP), RTP(TCP), RTCP, RTSP, NTP, HTTP, HTTPS, SSL/TLS, DHCP, FTP, SMTP, ICMP, IGMP, SNMPv1/v2c/v3(MIB-2), ARP, DNS, DDNS, QoS, PIM-SM, UPnP, Bonjour, LLDP, SRTSP

#### CERTIFICATIONS

<b>Ingress Protection Rating</b>	EN 60529 (IP66/IP67); NEMA 4X Class I, Zone 1, AEx db op pr IIC T6 Gb -40°C ≤ Tamb ≤ +60°C Zone 21, AEx tb IIIC T85°C Db -40°C ≤ Tamb ≤ +55°C Zone 21, AEx tb IIIC T90°C Db -40°C ≤ Tamb ≤ +60°C Class I, Zone 1, AEx db op pr IIB T5 Gb -40°C ≤ Tamb ≤ +75°C Zone 21, AEx tb IIIC T100°C Db -40°C ≤ Tamb ≤ +70°C Zone 21, AEx tb IIIC T105°C Db -40°C ≤ Tamb ≤ +75°C Class I, Div 2, Group A, B, C, D T6 -40°C ≤ Tamb ≤ +60°C * Class I, Div 2, Group C, D T5 -40°C ≤ Tamb ≤ +75°C *
----------------------------------	---

\* Suitable for Class I Div 2 using Zone 1 wiring methods as permitted per NEC Art. 501

<b>IECEX Standards</b>	IEC 60079-0; IEC 60079-1; IEC 60079-28; IEC 60079-31
<b>EMC</b>	EN 50130-4; EN 55035 ; EN/IEC 61000-6-2 ; EN/IEC 61000-6-4
<b>LVD</b>	EN 60950-1; EN 60950-22
<b>FCC</b>	FCC part 15B
<b>RoHS</b>	2011/65/EU + 2015/863/EU (RoHS 3)
<b>WEEE</b>	2012/19/EU
<b>North American Standards</b>	FM Class 3600; FM Class 3810; ANSI/UL 61010-1; ANSI/UL 60079-0; ANSI/UL 60079-1; ANSI/UL 60079-28; ANSI/ISA 60079-31; ANSI/UL 50E; ANSI/IEC 60529 CSA C22.2 No. 0.4; CSA C22.2 No. 0.5; CAN/CSA C22.2 No. 61010-1; CAN/CSA-C22.2 No. 60079-0; CAN/CSA-C22.2 No. 60079-1; CAN/CSA-C22.2 No. 60079-28; CAN/CSA-C22.2 No. 60079-31; CSA C22.2 No. 94.2; CAN/CSA C22.2 No. 60529

#### MODELS

<b>EXUSF129WRTH02-C2M/24</b>	Flameproof camera station with wiper, 24VAC
<b>EXUSF129WRTH02-C2M/115</b>	Flameproof camera station with wiper, 120VAC

Available upon request:  
- built-in Single Mode fiber optic Media Converter  
- POE

#### ACCESSORIES

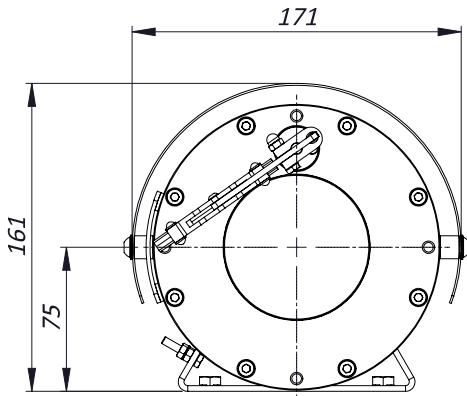
<b>SSBK-M</b>	Wall mounting bracket
<b>SSPM-M</b>	Pole mount adapter for SSBK-M
<b>SSPTM-M</b>	Top pole mount adapter

**FLAMEPROOF FIXED CAMERA STATION**

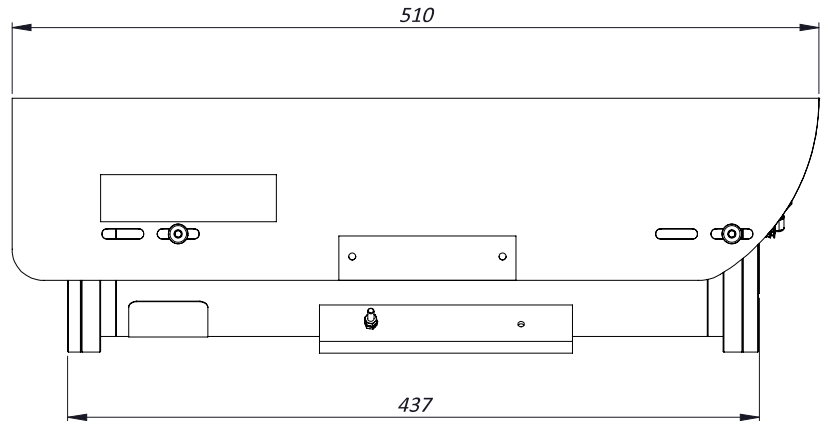
## DIMENSIONS

The dimensions in the technical drawings are in millimetres.

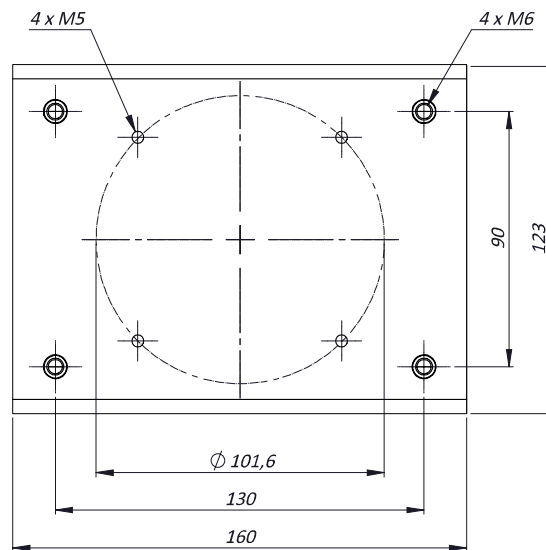
**FRONT VIEW**



**SIDE VIEW**



**MOUNTING PATTERN**



**MAX EXTERNAL LENGTH**

Model	L1 [mm]	L2 [mm]
<b>EXUSF129TH02-C2M</b>	510mm (20in)	437 (17in)
<b>EXUSF129WRTH02-C2M</b>	510mm (20in)	437 (17in)

*This is only an example of integration of Wisenet camera in Tecnovideo products.  
Hanwha Trademark and company logos, marks, product names and emblems are registered trademarks and belong to Hanwha Corporation.*