

TECNOVIDEO

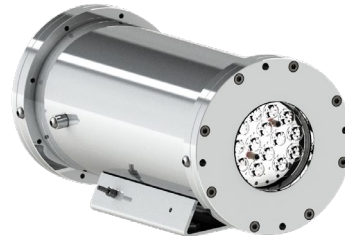
CCTV SYSTEMS AND ACCESSORIES

EXUSIRLED SERIES

FLAMEPROOF IR LED ILLUMINATOR

HAZARDOUS AREA

- HAZARDOUS LOCATION CERTIFIED IR LED ILLUMINATOR
- AISI316L STAINLESS STEEL CONSTRUCTION
- INFRARED LED TECHNOLOGY, 850nm
- BEAM PATTERNS 15° AND 34°
- CERTIFICATION TEMPERATURE -40° + 60°C
- WEATHERPROOF STANDARD IP66/IP67, NEMA 4X
- OPTIONAL SUNSHIELD AVAILABLE



TECHNICAL SPECIFICATIONS

GENERAL & MECHANICAL

Dimensions	See drawings next page
Operating Temperature	-40°F +140°F (-40° +60°C)
Construction	AISI316L Stainless Steel
Finish	Electro-polished
Mounting	See drawings next page
Cable entries	2x M25x1,5 or 3/4in (adapter)
Weight	Unit: 10kg (22lb); Package: 11kg (24lb)

ELECTRICAL

Available voltages	24VAC, 120VAC (+/-10%)
STROBO command	To synchronize video signal with FPS duty cycle
Activation	Open collector/Dry contact/External photocell
Output	Output, to provide status feedback
STROBO command	To synchronize video signal with FPS duty cycle
Temperature protection	Automatic power reduction (>60°C, >140°F) Automatic switch OFF (>80°C, 176°F)
Power consumption	25W

LED ILLUMINATOR

LED	14x SMD LED
Wavelength	850nm
Beam patterns	15° or 34°

CERTIFICATIONS

Ingress Protection Rating	EN 60529 (IP66/IP67); NEMA 4X Class I, Zone 1, AEx db op is op pr IIC T5 Gb -40°C ≤ Tamb ≤ +40°C Zone 21, AEx op is tb IIIC T100°C Db -40°C ≤ Tamb ≤ +40°C Class I, Zone 1, AEx db op is op pr IIB T4 Gb -40°C ≤ Tamb ≤ +60°C Zone 21, AEx op is tb IIIC T135°C Db -40°C ≤ Tamb ≤ +60°C Class I, Div 2, Group A, B, C, D T6 -40°C ≤ Tamb ≤ +60°C * Class I, Div 2, Group C, D T5 -40°C ≤ Tamb ≤ +75°C *
----------------------------------	---

* Suitable for Class I Div 2 using Zone 1 wiring methods as permitted per NEC Art. 501

IECEX Standards	IEC 60079-0; IEC 60079-1; IEC 60079-28; IEC 60079-31
EMC	EN 50130-4; EN 55035 ; EN/IEC 61000-6-2 ; EN/IEC 61000-6-4
LVD	EN 60950-1; EN 60950-22
FCC	FCC part 15B
RoHS	2011/65/EU + 2015/863/EU (RoHS 3)
WEEE	2012/19/EU
North American Standards	FM Class 3600; FM Class 3810; ANSI/UL 61010-1; ANSI/UL 60079-0; ANSI/UL 60079-1; ANSI/UL 60079-28; ANSI/ISA 60079-31; ANSI/UL 50E; ANSI/IEC 60529 CSA C22.2 No. 0.4; CSA C22.2 No. 0.5; CAN/CSA C22.2 No. 61010-1; CAN/CSA-C22.2 No. 60079-0; CAN/CSA-C22.2 No. 60079-1; CAN/CSA-C22.2 No. 60079-28; CAN/CSA-C22.2 No. 60079-31; CSA C22.2 No. 94.2; CAN/CSA C22.2 No. 60529

MODELS

EXUSIRLED15/24	R LED illuminator. 15° beam pattern, 24VAC
EXUSIRLED34/24	IR LED illuminator. 34° beam pattern, 24VAC
EXUSIRLED15/120	IR LED illuminator. 15° beam pattern, 120VAC
EXUSIRLED34/120	IR LED illuminator. 34° beam pattern, 120VAC

Optional sunshield available upon request.

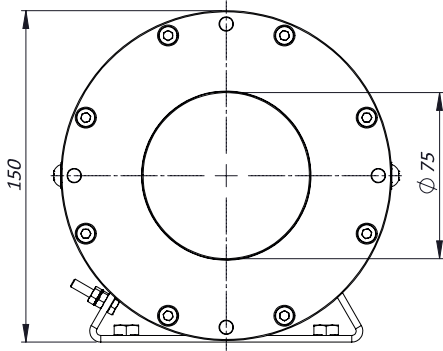
MOUNTING ACCESSORIES

SSBK-M	Wall mounting bracket
SSPM-M	Pole mount adapter for SSBK-M
SSPTM-M	Top pole mount adapter
SSDM-M	Adapter to mount one illuminator and one EX129 Series housing and on a single SSBK-M bracket.

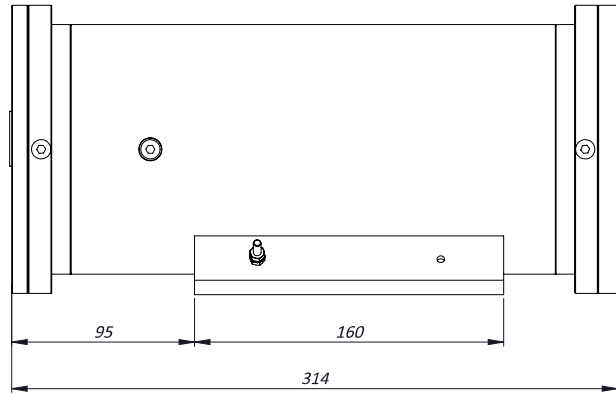
FLAMEPROOF IR LED ILLUMINATOR

DIMENSIONS

FRONT VIEW



SIDE VIEW



MOUNTING PATTERN

