

TECNOVIDEO

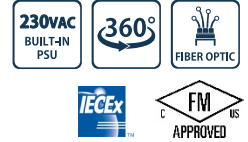
CCTV SYSTEMS AND ACCESSORIES

EXUSPT SERIES

FLAMEPROOF PAN & TILT UNIT

HAZARDOUS AREA

- HAZARDOUS LOCATIONS CERTIFIED PAN TILT UNIT
- AISI316L STAINLESS STEEL CONSTRUCTION
- CERTIFICATION TEMPERATURE -40°C +75°C
- 360° CONTINUOUS ROTATION, VARIABLE SPEED
- MAXIMUM LOAD 25 KG
- SUITABLE FOR THIRD PARTY EXPLOSIONPROOF CAMERA HOUSINGS
- OPTIONAL BUILT-IN FIBER MEDIA CONVERTER
- OPTIONAL BUILT-IN 120VAC POWER SUPPLIES



TECHNICAL SPECIFICATIONS

GENERAL & MECHANICAL

Dimensions	See drawings next page
Operating Temperature	-40°F +140°F, +167°F peak (-40° +60°C, +75°C peak)
Construction	AISI316L Stainless Steel
Finish	Electro-polished
Mounting	4XØ11 on 195 PCD
Cable Outputs	2 M20x1,5 cable outputs (to the external housing)
Cable entries	1x M25x1,5 or 3/4in (adapter) (base)
Pan Angle	360° (continuous rotation)
Pan Speed	0 – 40°/second
Pan Torque	20Nm (limited with safety device)
Tilt Angle	180° (+/-90°)
Tilt Speed	0 – 20°/second
Tilt Torque	20Nm (limited with safety device)
Rotation angle	Electronically adjustable
Backlash	<0,1°
Max preset accuracy	0.04°
Maximum load	25 kg (55lb)
Control protocol	Pelco D (via RS485)
Weight	Unit: 29kg (64lb) Package: 30kg (66lb)

ELECTRICAL

Thermostatically controlled heater	
T[°C] ON	= 53 ±39°F (12 ± 4°C)
T[°C] OFF	= 68°F ± 37°F (20 ± 3°C)
Supply voltage	24VAC, 120VAC (+/-10%)
Power consumption	9W (stationary), 70W MAX

CERTIFICATIONS

Ingress Protection Rating	EN 60529 (IP66/IP67), NEMA 4X Class I, Zone 1, AEx db op pr IIC T6 Gb -40°C ≤ Tamb ≤ +60°C Zone 21, AEx tb IIIC T85°C Db -40°C ≤ Tamb ≤ +55°C Zone 21, AEx tb IIIC T90°C Db -40°C ≤ Tamb ≤ +60°C Class I, Zone 1, AEx db op pr IIB T5 Gb -40°C ≤ Tamb ≤ +75°C Zone 21, AEx tb IIIC T100°C Db -40°C ≤ Tamb ≤ +70°C Zone 21, AEx tb IIIC T105°C Db -40°C ≤ Tamb ≤ +75°C Class I, Div 2, Group A, B, C, D T6 -40°C ≤ Tamb ≤ +60°C * Class I, Div 2, Group C, D T5 -40°C ≤ Tamb ≤ +75°C *
----------------------------------	---

* Suitable for Class I Div 2 using Zone 1 wiring methods as permitted per NEC Art. 501

Vibrations	EN/IEC 60068-2-6; EN/IEC 60068-2-27
IECEX Standards	IEC 60079-0; IEC 60079-1; IEC 60079-28; IEC 60079-31
EMC	EN 50130-4; EN 55035; EN/IEC 61000-6-2; EN/IEC 61000-6-4
LVD	EN 60950-1; EN 60950-22
FCC	FCC part 15B
RoHS	2011/65/EU + 2015/863/EU (RoHS 3)
WEEE	2012/19/EU
North American Standards	FM Class 3600; FM Class 3810; ANSI/UL 61010-1; ANSI/UL 60079-0; ANSI/UL 60079-1; ANSI/UL 60079-28; ANSI/ISA 60079-31; ANSI/UL 50E; ANSI/IEC 60529 CSA C22.2 No. 0.4; CSA C22.2 No. 0.5; CAN/CSA C22.2 No. 61010-1; CAN/CSA-C22.2 No. 60079-0; CAN/CSA-C22.2 No. 60079-1; CAN/CSA-C22.2 No. 60079-28; CAN/CSA-C22.2 No. 60079-31; CSA C22.2 No. 94.2; CAN/CSA C22.2 No. 60529

MODELS

EXUSPT-CR/24	Stand-alone Pan & Tilt unit, 24VAC
EXUSPT-CR/120	Stand-alone Pan & Tilt unit, 120VAC

Available upon request: Built-in Fiber Media Converter

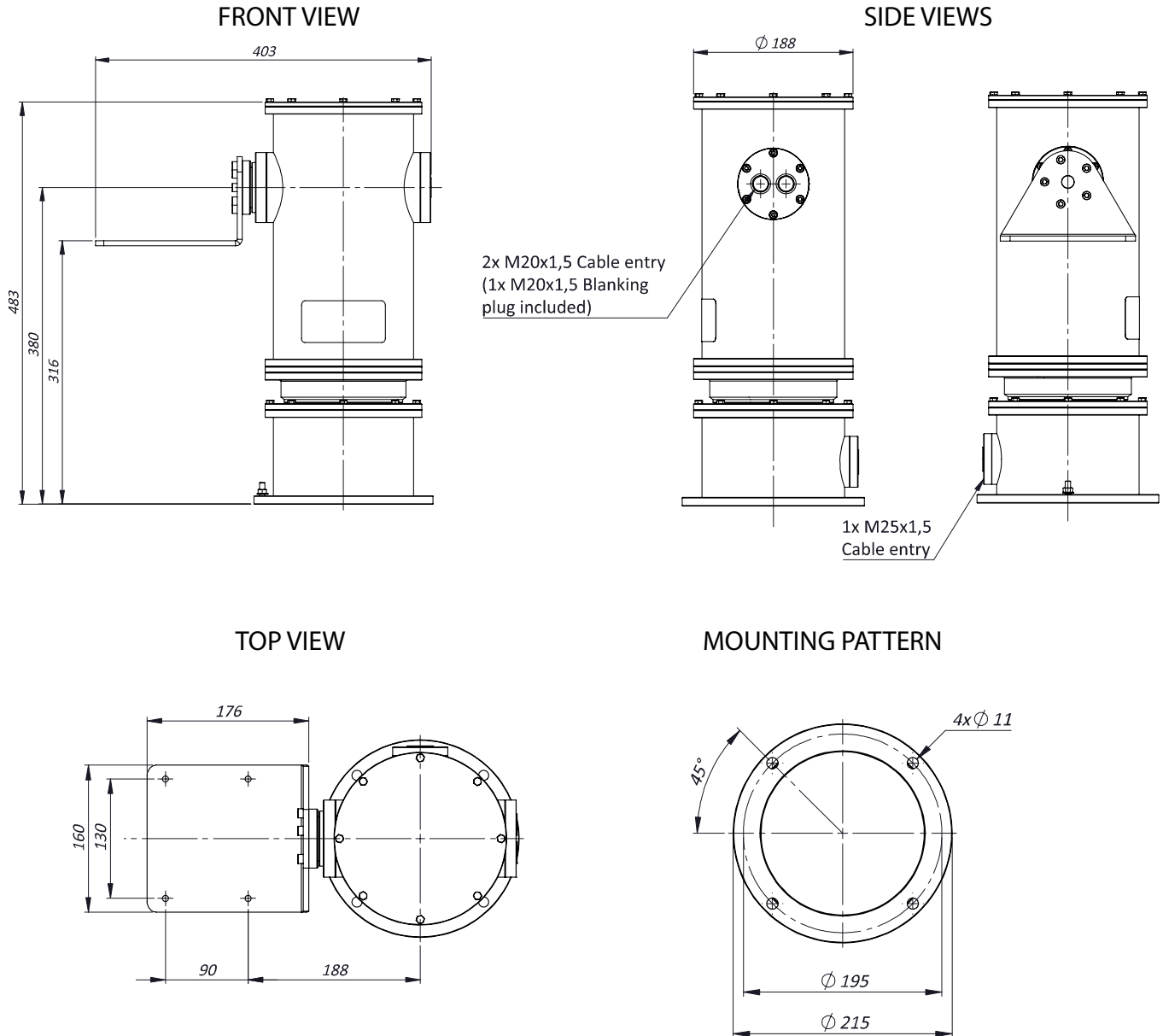
ACCESSORIES

SSBK-L	Wall mounting bracket
---------------	-----------------------

FLAMEPROOF PAN & TILT UNIT

DIMENSIONS

The dimensions in the technical drawings are in millimetres.



MAX EXTERNAL LENGTH

Model	L1 [mm] Height	L2 [mm] Width
EXPT-CR/24	483 (19in)	403 (16in)
EXPT-CR/230	483 (19in)	403 (16in)

The unit cannot be installed upside-down nor horizontally