

TECNOVIDEO

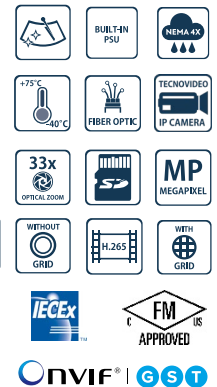
CCTV SYSTEMS AND ACCESSORIES

EXUSPTZDUALTV2 SERIES

FLAMEPROOF STAINLESS STEEL DUAL PTZ CAMERA STATION

HAZARDOUS AREA

- HAZARDOUS LOCATIONS CERTIFIED DUAL PTZ CAMERA
- VISIBLE 3MP, 33x AUTOFOCUS OPTICAL ZOOM
- CHOICES OF QVGA/VGA THERMAL CAMERAS AND LENSES
- AISI316L STAINLESS STEEL CONSTRUCTION
- CERTIFICATION TEMPERATURE -40°C +75°C
- OPTIONAL BUILT-IN FIBER MEDIA CONVERTER
- OPTIONAL BUILT-IN 120VAC POWER SUPPLY
- INTEGRATED WIPER (VISIBLE)
- EDGE RECORDING (VISIBLE)
- NDAA COMPLIANT
- PATENTED GRIDLESS THERMAL WINDOW AVAILABLE



TECHNICAL SPECIFICATIONS

GENERAL & MECHANICAL

Dimensions	See drawings next page
Operating Temperature	-40°F +140°F, +167°F peak (-40° +60°C, +75°C peak)
Construction	AISI316L Stainless Steel
Finish	Electro-polished
Mounting	4x Ø11 on 195 PCD
Cable entries	1x M25x1,5 or 3/4in (adapter)
Wiper	Yes (visible)
Pan Angle	360° (continuous rotation)
Pan Speed	0 – 40°/second
Pan Torque	20Nm (limited with safety device)
Tilt Angle	180° (+/-90°)
Tilt Speed	0 – 20°/second
Tilt Torque	20Nm (limited with safety device)
Rotation angle	Electronically adjustable limit switches
Backlash	<0,1°
Max preset accuracy	0.04°
Control protocol	Pelco D (via RS485)
Weight	Unit: 48,5kg (106lb) / Package: 54kg (119lb)

ELECTRICAL

Thermostatically controlled heater	
T[°C] ON	= 53 ±39°F (12 ±4°C)
T[°C] OFF	= 68°F ± 37°F (20 ± 3°C)
Supply voltage	24VAC, 120VAC (+/-10%)
Power consumption	9W min (stationary and heater/wiper off), 120W MAX

VIDEO/CAMERA

Sensor	1/2.8" Progressive CMOS, 3MP
Resolution	Up to 2065x1553 @30fps
Compression	H.265/H.264/MJPEG
Streaming	Up to 4 configurable streams
Frame Rate	30 fps
Iris	Auto-Iris, F1.6
Sensitivity	Color: 0.04 lux, B/W: 0.002 lux
Shutter Speed	1~1/10000 s
Optical Filter	Automatically removable IR-cut filter
White Balance	Contrast White Balance
Dynamic range	WDR/HDR
Lens	33x Optical Zoom, 10x Digital Zoom, AF, 4.6-152mm, F1.6, P-Iris, Auto-Iris
Image settings	Color, Brightness, Sharpness, Contrast, White Balance, Exposure control, 2DNR/3DNR/NR by motion masking
Event Triggers	External Input, Analytics, Network Failure Detection, Periodical Event, Manual Trigger
Event Actions	External Output Activation
Analytics	Motion Detection/ Tampering/ Audio detection
Local Storage	microSD (card not provided)
Network Storage	support for recording to NAS

VIDEO/CAMERA (THERMAL)

Various combinations of QVGA/VGA thermal cameras and lenses are available, 9Hz or 25Hz.

NETWORK

Interface	10/100 Mbps Ethernet
Security	User Authentication/ HTTPS/ IP Filter/ IEEE 802.1x
ONVIF	ONVIF profile G/S/T compliant
Protocols	IPv4/v6, TCP, UDP, RTP, RTSP, HTTP, HTTPS, ICMP, FTP, SMTP, DHCP, PPPoE, UPnP, IGMP, SNMP, QoS, ARP, NTP

CERTIFICATIONS

Ingress Protection Rating	EN 60529 (IP66/IP67); NEMA 4X "Class I, Zone 1, AEx db op pr IIC T6 Gb -40°C ≤ Tamb ≤ +60°C Zone 21, AEx tb IIIC T85°C Db -40°C ≤ Tamb ≤ +55°C Zone 21, AEx tb IIIC T90°C Db -40°C ≤ Tamb ≤ +60°C Class I, Zone 1, AEx db op pr IIB T5 Gb -40°C ≤ Tamb ≤ +75°C Zone 21, AEx tb IIIC T100°C Db -40°C ≤ Tamb ≤ +70°C Zone 21, AEx tb IIIC T105°C Db -40°C ≤ Tamb ≤ +75°C Class I, Div 2, Group A, B, C, D T6 -40°C ≤ Tamb ≤ +60°C * Class I, Div 2, Group C, D T5 -40°C ≤ Tamb ≤ +75°C *
----------------------------------	--

* Suitable for Class I Div 2 using Zone 1 wiring methods as permitted per NEC Art. 501"

Vibration	EN/IEC 60068-2-6; EN/IEC 60068-2-27
IECEX Standards	IEC 60079-0; IEC 60079-1; IEC 60079-28; IEC 60079-31
EMC	EN 50130-4; EN 55035 ; EN/IEC 61000-6-2 ; EN/IEC 61000-6-4
LVD	EN 60950-1; EN 60950-22
FCC	FCC part 15B
RoHS	2011/65/EU + 2015/863/EU (RoHS 3)
WEEE	2012/19/EU
North American Standards	"FM Class 3600; FM Class 3810; ANSI/UL 61010-1; ANSI/UL 60079-0; ANSI/UL 60079-1; ANSI/UL 60079-28; ANSI/ISA 60079-31; ANSI/UL 50E; ANSI/IEC 60529 CSA C22.2 No. 0.4; CSA C22.2 No. 0.5; CAN/CSA C22.2 No. 61010-1; CAN/CSA-C22.2 No. 60079-0; CAN/CSA-C22.2 No. 60079-1; CAN/CSA-C22.2 No. 60079-28; CAN/CSA-C22.2 No. 60079-31; CSA C22.2 No. 94.2; CAN/CSA C22.2 No. 60529"

MODELS

EXUSPTZDUALTV2-CR/24	DUAL Flameproof PTZ IP camera station, housing for thermal camera, 24VAC
EXUSPTZDUALTV2-CR/120	DUAL Flameproof PTZ IP camera station, housing for thermal camera, 120VAC
EXUSPTZDUALTV2FO-CR/24	DUAL Flameproof PTZ IP camera station, housing for thermal camera. SM FO Media converter, 24VAC
EXUSPTZDUALTV2FO-CR/120	DUAL Flameproof PTZ IP camera station, housing for thermal camera. SM FO Media converter, 120VAC

Available upon request:
- built-in Single Mode fiber optic Media Converter
- Germanium gridless thermal housing (Patented)

ACCESSORIES

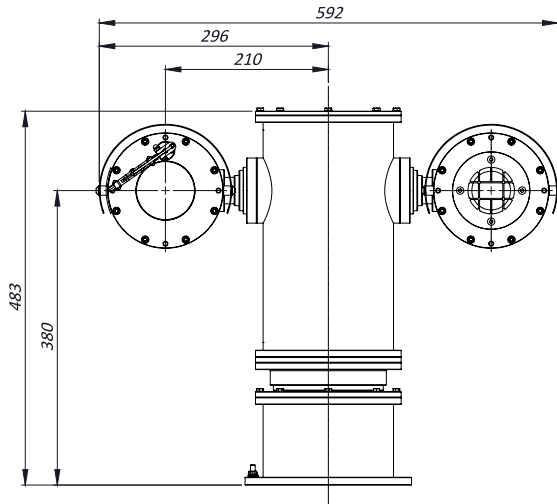
SSBK-L	Wall mounting bracket
---------------	-----------------------

FLAMEPROOF STAINLESS STEEL DUAL PTZ CAMERA STATION

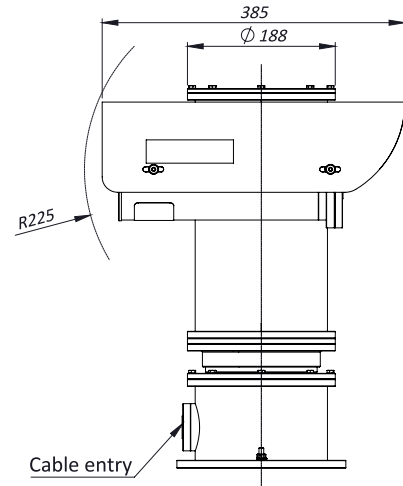
DIMENSIONS

The dimensions in the technical drawings are in millimetres.

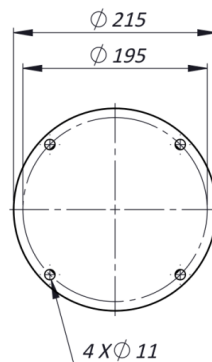
FRONT VIEW



SIDE VIEW



MOUNTING PATTERN



MAX EXTERNAL LENGTH

Model	L1 [mm] Height	L2 [mm] Width
EXUSPTZDUALTV2-CR	483 (19in)	592 (23in)

MAX INTERNAL AVAILABLE DIMENSIONS

Model	Max internal dimensions [mm]	Max usable internal diameter [mm]
EXUSPTZDUALTV2-CR (thermal housing)	80x80x160 (3.15x3.15x6.30in)	95 (3.75in)

The unit cannot be installed upside-down nor horizontally