

TECNOVIDEO

CCTV SYSTEMS AND ACCESSORIES

EXUSPTZTA01 SERIES

FLAMEPROOF STAINLESS STEEL PTZ CAMERA STATION

HAZARDOUS AREA

- HAZARDOUS LOCATIONS CERTIFIED PTZ CAMERA
- POWERED BY **AVIGILON 2.0C-H5A-B1**, DAY/NIGHT FULL HD, 18X OPTICAL ZOOM
- AISI316L STAINLESS STEEL CONSTRUCTION
- CERTIFICATION TEMPERATURE -40°C +75°C
- OPTIONAL BUILT-IN FIBER MEDIA CONVERTER
- OPTIONAL BUILT-IN 120VAC POWER SUPPLY
- WIPER



avigilon™



TECHNICAL SPECIFICATIONS

GENERAL & MECHANICAL

Dimensions	See drawings next page
Operating Temperature	-4° +140° F (-20° +60°C)
Construction	AISI316L Stainless Steel
Finish	Electro-polished
Mounting	4x Ø11 on 195 PCD
Cable entries	1x M25x1,5 or 3/4in (adapter)
Wiper	Yes
Pan Angle	360° (continuous rotation)
Pan Speed	0 – 40°/second
Pan Torque	20Nm (limited with safety device)
Tilt Angle	180° (+/-90°)
Tilt Speed	0 – 20°/second
Tilt Torque	20Nm (limited with safety device)
Rotation angle	Electronically adjustable
Backlash	<0,1°
Max preset accuracy	0.04°
Control protocol	Pelco D (RS485)
Weight	Unit: 35kg (77lb) / Package: 40kg (88lb)

ELECTRICAL

Thermostatically controlled heater	
T[°C] ON	= 53 ±39°F (12 ± 4°C)
T[°C] OFF	= 68°F ± 37°F (20 ± 3°C)
Supply voltage	24VAC, 120VAC (+/-10%)
Power consumption	10W min (stationary and heater/wiper off), 95W MAX

VIDEO/CAMERA

Sensor	1/2.8" progressive scan CMOS
Compression	H.264 HDSM SmartCodec, H.265 HDSM SmartCodec, Motion JPEG
Streaming	Multi-stream H.264, Multi-stream H.265, Motion JPEG
Resolution	1920x1080
Frame Rate	(50 Hz/60 Hz): 25 fps/30 fps
Iris	Automatic, Open, Closed
Sensitivity	0.039 lux in color mode, 0.02 lux in monochrome mode
Shutter Speed	Automatic, Manual (1/7 to 1/8196 sec)
White Balance	Automatic, Manual
Dynamic range	WDR
Noise Reduction	3D Noise Reduction
Event Triggers	Analytics, Tamper Detection, Objects in Area, Object Loitering, Objects Crossing Beam, Object Appears or Enters Area, Direction Violated
Analytics	NEXT-GENERATION VIDEO ANALYTICS: Expanded object classifications and more accurate detection in crowded scenes so you can detect and act faster.
Lens	4.7~84.6mm(18x) motorized
Local storage	microSD/microSDHC/microSDXC slot

NETWORK

Interface	100BASE-TX, RJ45 Connector, CAT5e Cabling
Security	Password protection, HTTPS encryption, digest authentication, WS authentication, user access log, 802.1x port based authentication
ONVIF Protocols	ONVIF compliance version 1.02, 2.00, Profile S, Profile T, Profile G IPv6, IPv4, HTTP, HTTPS, SOAP, DNS, NTP, RTSP, RTCP, RTP, TCP, UDP, IGMP, ICMP, DHCP, Zeroconf, ARP, RTP/UDP, RTP/UDP multicast, RTP/RTSP/TCP, RTP/RTSP/HTTP/TCP, RTP/RTSP/HTTPS/TCP, HTTP, SNMP v2c, SNMP v3

CERTIFICATIONS

Ingress Protection Rating	EN 60529 (IP66/IP67); NEMA 4X "Class I, Zone 1, AEx db op pr IIC T6 Gb -40°C ≤ Tamb ≤ +60°C Zone 21, AEx tb IIIC T85°C Db -40°C ≤ Tamb ≤ +55°C Zone 21, AEx tb IIIC T90°C Db -40°C ≤ Tamb ≤ +60°C Class I, Zone 1, AEx db op pr IIB T5 Gb -40°C ≤ Tamb ≤ +75°C Zone 21, AEx tb IIIC T100°C Db -40°C ≤ Tamb ≤ +70°C Zone 21, AEx tb IIIC T105°C Db -40°C ≤ Tamb ≤ +75°C Class I, Div 2, Group A, B, C, D T6 -40°C ≤ Tamb ≤ +60°C * Class I, Div 2, Group C, D T5 -40°C ≤ Tamb ≤ +75°C *
----------------------------------	--

* Suitable for Class I Div 2 using Zone 1 wiring methods as permitted per NEC Art. 501"

Vibrations	EN/IEC 60068-2-6; EN/IEC 60068-2-27
IECEX Standards	IEC 60079-0; IEC 60079-1; IEC 60079-28; IEC 60079-31
EMC	EN 50130-4; EN 55035 ; EN/IEC 61000-6-2 ; EN/IEC 61000-6-4
LVD	EN 60950-1; EN 60950-22
FCC	FCC part 15B
RoHS	2011/65/EU + 2015/863/EU (RoHS 3)
WEEE	2012/19/EU
North American Standards	"FM Class 3600; FM Class 3810; ANSI/UL 61010-1; ANSI/UL 60079-0; ANSI/UL 60079-1; ANSI/UL 60079-28; ANSI/ISA 60079-31; ANSI/UL 50E; ANSI/IEC 60529 CSA C22.2 No. 0.4; CSA C22.2 No. 0.5; CAN/CSA C22.2 No. 61010-1; CAN/CSA-C22.2 No. 60079-0; CAN/CSA-C22.2 No. 60079-1; CAN/CSA-C22.2 No. 60079-28; CAN/CSA-C22.2 No. 60079-31; CSA C22.2 No. 94.2; CAN/CSA C22.2 No. 60529"

MODELS

EXUSPTZTA01-CR/24	Flameproof PTZ IP camera station, 24VAC
EXUSPTZTA01-CR/120	Flameproof PTZ IP camera station, 120VAC
EXUSPTZTA01FO-CR/24	Flameproof PTZ IP camera station. SM FO Media converter, 24VAC
EXUSPTZTA01FO-CR/120	Flameproof PTZ IP camera station. SM FO Media converter, 120VAC

ACCESSORIES

SSBK-L	Wall mounting bracket
---------------	-----------------------

www.tecnovideoctv.com

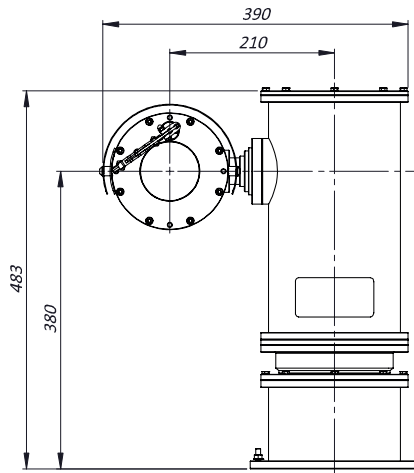
Tecnovideo S.r.l. - Via A. De Gasperi, 3 36030 Villaverla (VI) ITALY - Tel. +39.0445.350444 - info@tecnovideoctv.com

FLAMEPROOF STAINLESS STEEL PTZ CAMERA STATION

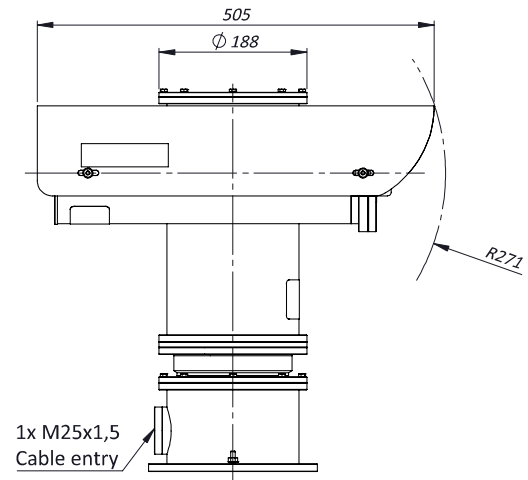
DIMENSIONS

The dimensions in the technical drawings are in millimetres.

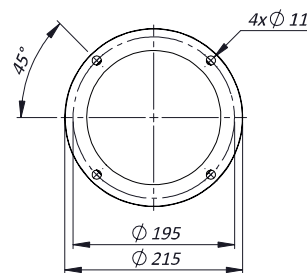
FRONT VIEW



SIDE VIEW



MOUNTING PATTERN



MAX EXTERNAL LENGTH

Model	L1 [mm] Height	L2 [mm] Width
EXUSPTZTA01-CR/24	483 (19in)	390 (15in)

The unit cannot be installed upside-down nor horizontally

*This is only an example of integration of Avigilon camera in Tecnovideo products.
Avigilon Trademark and company logos, marks, product names and emblems are registered trademarks and belong to Avigilon Corporation.*