

TECNOVIDEO

CCTV SYSTEMS AND ACCESSORIES

EXUSPTZTB-LED SERIES

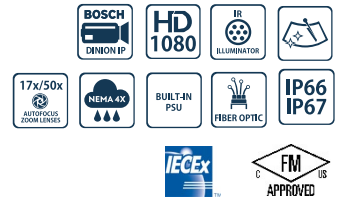
FLAMEPROOF STAINLESS STEEL PTZ CAMERA STATION
WITH IR ILLUMINATOR

HAZARDOUS AREA

- CLASS1/ZONE1 AND CLASS1/DIV2 PTZ FOR HAZARDOUS LOCATIONS
- INTEGRATED **BOSCH DINION IP STARLIGHT CAMERA**
- PREASSEMBLED 17x OR 50x HIGH QUALITY AUTOFOCUS ZOOM LENSES
- AISI316L STAINLESS STEEL CONSTRUCTION
- INTEGRATED IR ILLUMINATOR
- CERTIFICATION TEMPERATURE -40°C +75°C
- 15W MIN POWER CONSUMPTION
- OPTIONAL BUILT-IN FIBER MEDIA CONVERTER
- OPTIONAL BUILT-IN 120VAC or 230VAC POWER SUPPLIES
- INTEGRATED WIPER
- BVMS COMPATIBLE



POWERED BY
BOSCH
DINION IP



TECHNICAL SPECIFICATIONS

GENERAL & MECHANICAL

Dimensions	See drawings next page
Operating Temperature	-40°F +140°F (-40° +60°C), cold start -4°F (-20°C)
Construction	AISI316L Stainless Steel
Finish	Electro-polished
Mounting	4x Ø11 on 195 PCD
Cable entries	1x M25x1,5 or 3/4in (adapter)
Wiper	Yes
Pan Angle	360° (continuous rotation)
Pan Speed	0 – 40°/second
Pan Torque	20Nm (limited with safety device)
Tilt Angle	180° (+/-90°)
Tilt Speed	0 – 20°/second
Tilt Torque	20Nm (limited with safety device)
Rotation angle	Electronically adjustable limit switches
Backlash	<0,1°
Max preset accuracy	0,04°
Weight	Unit: 47,5kg (105lb) / Gross weight: 53kg (117lb)
Control Protocol	Pelco D (via RS485)

ELECTRICAL

Thermostatically controlled heater	
T[°C] ON	= 53 ±39°F (12 ± 4°C)
T[°C] OFF	= 68°F ± 37°F (20 ± 3°C) (Camera Housing)
Supply voltage	24VAC, 120VAC (+/-10%)
Power consumption	15W min (stationary, IR illuminator/wiper/heater off) 120W MAX

CAMERA

LENS MODEL	DINION IP Starlight CAMERA SERIES	
	6000 HD (6)	7000 HD (7)
A50	6A50	7A50
K17	6K17	7K17

To order the camera and lens to be integrated in the housing, please specify the related number (camera series) and letter (lens model) in the ordering code (see MODELS). For the complete camera specifications, please check the official Bosch camera datasheet.

LENS

	A50	K17
Sensor	1/1.8"	1/2.8"
Zoom Ratio	50x	17x
Focal Length	10 - 500mm	7.5 - 127mm
IR corrected	Yes	No
Focus	Automatic	Automatic
Horizontal Angle of View	38.9° - 0.84°	43.1° - 2.75°
Iris Range	F4.5 - 360	F1.6 - F2.7
Temperature Compensated	Yes	No

LED ILLUMINATOR

LED	14x SMD LED
Wavelength	850nm
Beam patterns	15° or 34° circular beam

CERTIFICATIONS

Ingress Protection Rating	EN 60529 (IP66/IP67); NEMA 4X Class I, Zone 1, AEx db op is op pr IIC T5 Gb -40°C ≤ Tamb ≤ +40°C Zone 21, AEx op is tb IIIC T100°C Db -40°C ≤ Tamb ≤ +40°C Class I, Zone 1, AEx db op is op pr IIB T4 Gb -40°C ≤ Tamb ≤ +60°C Zone 21, AEx op is tb IIIC T135°C Db -40°C ≤ Tamb ≤ +60°C Class I, Div 2, Group A, B, C, D T6 -40°C ≤ Tamb ≤ +60°C * Class I, Div 2, Group C, D T5 -40°C ≤ Tamb ≤ +75°C *
----------------------------------	---

* Suitable for Class I Div 2 using Zone 1 wiring methods as permitted per NEC Art. 501

IECEX Standards	IEC 60079-0; IEC 60079-1; IEC 60079-28; IEC 60079-31
EMC	EN 50130-4; EN 55035 ; EN/IEC 61000-6-2 ; EN/IEC 61000-6-4
LVD	EN 60950-1; EN 60950-22; EN/IEC 62368-1
FCC	FCC part 15B
RoHS	2011/65/EU + 2015/863/EU (RoHS 3)
WEEE	2012/19/EU
North American Standards	FM Class 3600; FM Class 3810; ANSI/UL 61010-1; ANSI/UL 60079-0; ANSI/UL 60079-1; ANSI/UL 60079-28; ANSI/ISA 60079-31; ANSI/UL 50E; ANSI/IEC 60529 CSA C22.2 No. 0.4; CSA C22.2 No. 0.5; CAN/CSA C22.2 No. 61010-1; CAN/CSA-C22.2 No. 60079-0; CAN/CSA-C22.2 No. 60079-1; CAN/CSA-C22.2 No. 60079-28; CAN/CSA-C22.2 No. 60079-31; CSA C22.2 No. 94.2; CAN/CSA C22.2 No. 60529

FLAMEPROOF STAINLESS STEEL PTZ CAMERA STATION WITH IR ILLUMINATOR

MODELS

EXUSPTZTBxyyy-CRLED15/24	PTZ camera station with Dinion IP camera, IR LED illuminator with 15° beam pattern, 24VAC
EXUSPTZTBxyyy-CRLED15/120	PTZ camera station with Dinion IP camera, IR LED illuminator with 15° beam pattern, 120VAC
EXUSPTZTBxyyy-CRLED34/24	PTZ camera station with Dinion IP camera, IR LED illuminator with 34° beam pattern, 24VAC
EXUSPTZTBxyyy-CRLED34/120	PTZ camera station with Dinion IP camera, IR LED illuminator with 34° beam pattern, 120VAC
EXUSPTZTBxyyyFO-CRLED15/24	PTZ camera station with Dinion IP camera, IR LED illuminator with 15° beam pattern, SM FO media converter, 24VAC
EXUSPTZTBxyyyFO-CRLED15/120	PTZ camera station with Dinion IP camera, IR LED illuminator with 15° beam pattern, SM FO media converter, 120VAC
EXUSPTZTBxyyyFO-CRLED34/24	PTZ camera station with Dinion IP camera, IR LED illuminator with 34° beam pattern, SM FO media converter, 24VAC
EXUSPTZTBxyyyFO-CRLED34/120	PTZ camera station with Dinion IP camera, IR LED illuminator with 34° beam pattern, SM FO media converter, 120VAC

X: 6 = Dinion 6000, 7 = Dinion 7000

YYY: K17 = 17x zoom Lens, A50 = 50x zoom lens. For the ordering codes, please refer also to the CAMERA table

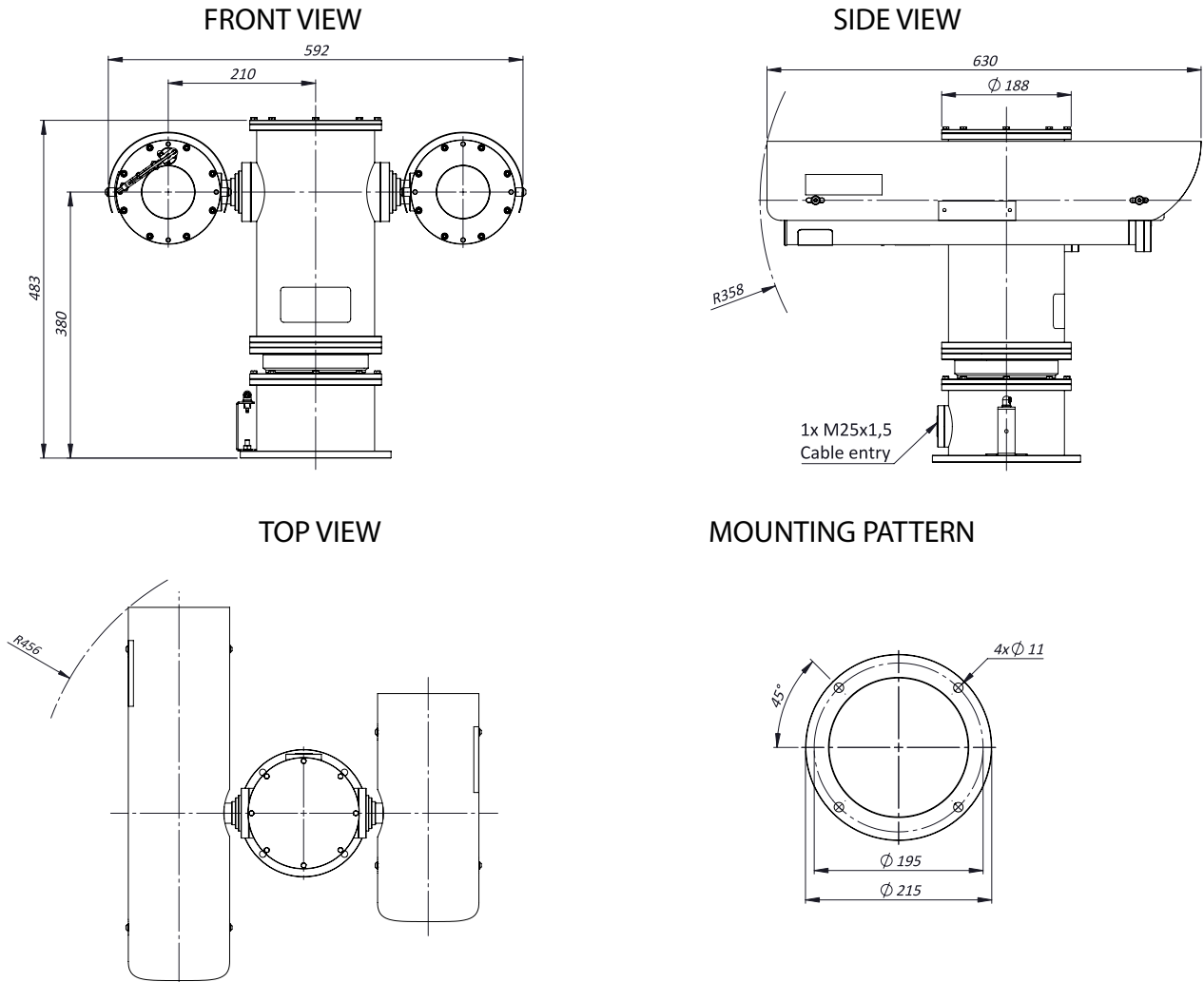
All the above PTZ camera stations include sunshield, heater and wiper.

MOUNTING ACCESSORIES

SSBK-L	Wall mounting bracket
---------------	-----------------------

DIMENSIONS

The dimensions in the technical drawings are in millimetres.



The unit cannot be installed upside-down nor horizontally

*This is only an example of integration of Bosch Dinion cameras in Tecnovideo products.
Bosch Trademark and company logos, marks, product names and emblems are registered trademarks and belong to Robert Bosch GmbH.*

Dimensions in millimetres – Tolerances according QMS – Design and products specifications subject to change without notice – rev. 20230203