

TECNOVIDEO

CCTV SYSTEMS AND ACCESSORIES

EXUSPTZTV2-LED SERIES

FLAMEPROOF STAINLESS STEEL PTZ CAMERA STATION WITH IR ILLUMINATOR

- HAZARDOUS LOCATIONS CERTIFIED PTZ CAMERA
- 3MP, 33x AUTOFOCUS OPTICAL ZOOM
- INTEGRATED IR LED ILLUMINATOR
- AISI316L STAINLESS STEEL CONSTRUCTION
- CERTIFICATION TEMPERATURE -40°C +60°C
- OPTIONAL BUILT-IN FIBER MEDIA CONVERTER
- OPTIONAL BUILT-IN 120VAC POWER SUPPLY
- INTEGRATED WIPER
- EDGE RECORDING
- 802.1X AND SNMP (V1-3) CYBER SECURITY PROTOCOLS
- NDAA COMPLIANT



ONVIF | GST

TECHNICAL SPECIFICATIONS

GENERAL & MECHANICAL

Dimensions	See drawings next page
Operating Temperature	-40°F +140°F (-40° +60°C)
Construction	AISI316L Stainless Steel
Finish	Electro-polished
Mounting	4x Ø11 on 195 PCD
Cable entries	1x M25x1,5 or 3/4in (adapter)
Wiper	Yes
Pan Angle	360° continuous rotation
Pan Speed	0 – 40°/second
Pan Torque	20Nm (limited with safety device)
Tilt Angle	180° (+/-90°)
Tilt Speed	0 – 20°/second
Tilt Torque	20Nm (limited with safety device)
Rotation angle	Electronically adjustable limit switches
Backlash	<0,1°
Max preset accuracy	0.04°
Control protocol	Pelco D (via RS485)
Weight	Unit: 47,5kg (105lb) / Gross weight: 53kg (117lb)

ELECTRICAL

Thermostatically controlled heater	
T[°C] ON	= 53 ±39°F (12 ± 4°C)
T[°C] OFF	= 68°F ± 37°F (20 ± 3°C)
Supply voltage	24VAC, 120VAC (+/-10%)
Power consumption	10W min (stationary, IR illuminator/wiper/heater off) 120W MAX

LED ILLUMINATOR

LED	14x SMD LED
Wavelength	850nm
Available beam patterns	15° or 34° beams

VIDEO/CAMERA

Sensor	1/2.8" Progressive CMOS, 3MP
Resolution	Up to 2065x1553 @30fps
Compression	H.265/H.264/MJPEG
Streaming	Up to 4 configurable streams
Frame Rate	30 fps
Sensitivity	Color: 0.04 lux, B/W: 0.002 lux
Shutter Speed	1~1/10000 s
Optical Filter	Automatically removable IR-cut filter
White Balance	Contrast White Balance
Dynamic range	WDR/HDR
Lens	33x Optical Zoom, 10x Digital Zoom, AF, 4.6-152mm, F1.6, P-Iris, Auto-Iris
Image settings	Color, Brightness, Sharpness, Contrast, White Balance, Exposure control, 2DNR/3DNR/NR by motion masking
Event Triggers	External Input, Analytics, Network Failure Detection, Periodical Event, Manual Trigger
Event Actions	External Output Activation
Analytics	Motion Detection/ Tampering/ Audio detection
Local storage	microSD (card not provided)
Network Storage	support for recording to NAS

NETWORK

Interface	10/100 Mbps Ethernet
Security	User Authentication/ HTTPS/ IP Filter/ IEEE 802.1x/SNMPv3
ONVIF	ONVIF profile G/S/T compliant
Protocols	IPv4/v6, TCP, UDP, RTP, RTSP, HTTP, HTTPS, ICMP, FTP, SMTP, DHCP, PPPoE, UPnP, IGMP, SNMP, QoS, ARP, NTP

CERTIFICATIONS

Ingress Protection Rating	EN 60529 (IP66/IP67); NEMA 4X Class I, Zone 1, AEx db op is op pr IIC T5 Gb -40°C ≤ Tamb ≤ +40°C Zone 21, AEx op is tb IIIC T100°C Db -40°C ≤ Tamb ≤ +40°C Class I, Zone 1, AEx db op is op pr IIB T4 Gb -40°C ≤ Tamb ≤ +60°C Zone 21, AEx op is tb IIIC T135°C Db -40°C ≤ Tamb ≤ +60°C Class I, Div 2, Group A, B, C, D T6 -40°C ≤ Tamb ≤ +60°C * Class I, Div 2, Group C, D T5 -40°C ≤ Tamb ≤ +75°C *
----------------------------------	---

* Suitable for Class I Div 2 using Zone 1 wiring methods as permitted per NEC Art. 501

IECEX Standards	IEC 60079-0; IEC 60079-1; IEC 60079-28; IEC 60079-31
EMC	EN 50130-4; EN 55035 ; EN/IEC 61000-6-2 ; EN/IEC 61000-6-4
LVD	EN 60950-1; EN 60950-22
FCC	FCC part 15B
RoHS	2011/65/EU + 2015/863/EU (RoHS 3)
WEEE	2012/19/EU
North American Standards	FM Class 3600; FM Class 3810; ANSI/UL 61010-1; ANSI/UL 60079-0; ANSI/UL 60079-1; ANSI/UL 60079-28; ANSI/ISA 60079-31; ANSI/UL 50E; ANSI/IEC 60529 CSA C22.2 No. 0.4; CSA C22.2 No. 0.5; CAN/CSA C22.2 No. 61010-1; CAN/CSA-C22.2 No. 60079-0; CAN/CSA-C22.2 No. 60079-1; CAN/CSA-C22.2 No. 60079-28; CAN/CSA-C22.2 No. 60079-31; CSA C22.2 No. 94.2; CAN/CSA C22.2 No. 60529

MODELS

EXUSPTZTV2-CRLED15/24	Flameproof PTZ IP camera station, IR LED illuminator with 15° beam pattern, 24VAC
EXUSPTZTV2-CRLED15/120	Flameproof PTZ IP camera station, IR LED illuminator with 15° beam pattern, 120VAC
EXUSPTZTV2-CRLED34/24	Flameproof PTZ IP camera station, IR LED illuminator with 34° beam pattern, 24VAC
EXUSPTZTV2-CRLED34/120	Flameproof PTZ IP camera station, IR LED illuminator with 34° beam pattern, 120VAC
EXUSPTZTV2FO-CRLED15/24	Flameproof PTZ IP camera station, IR LED illuminator with 15° beam pattern, SM FO media converter, 24VAC
EXUSPTZTV2FO-CRLED15/120	Flameproof PTZ IP camera station, IR LED illuminator with 15° beam pattern, SM FO media converter, 120VAC
EXUSPTZTV2FO-CRLED34/24	Flameproof PTZ IP camera station, IR LED illuminator with 34° beam pattern, SM FO media converter, 24VAC
EXUSPTZTV2FO-CRLED34/120	Flameproof PTZ IP camera station, IR LED illuminator with 34° beam pattern, SM FO media converter, 120VAC

ACCESSORIES

SSBK-L	Wall mounting bracket
---------------	-----------------------

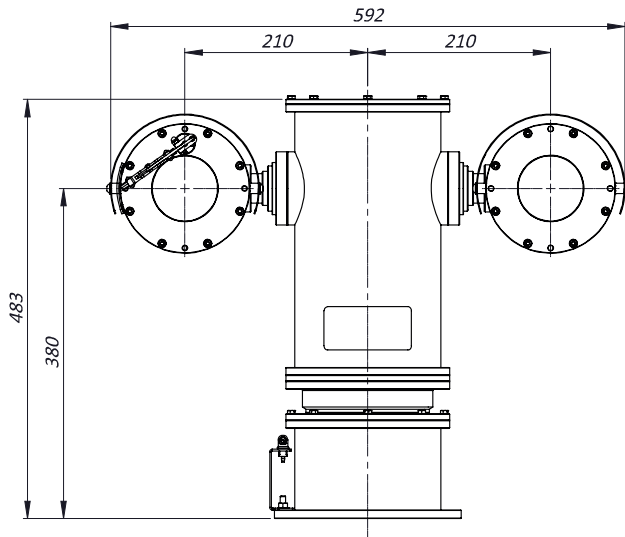
www.tecnovideoctv.com

Tecnovideo S.r.l. - Via A. De Gasperi, 3 36030 Villaverla (VI) ITALY - Tel. +39.0445.350444 - info@tecnovideoctv.com

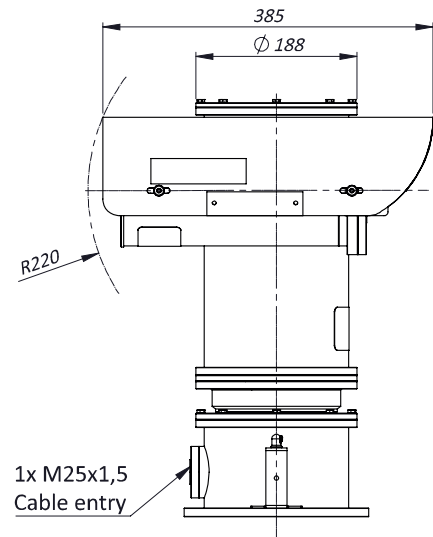
DIMENSIONS

The dimensions in the technical drawings are in millimetres.

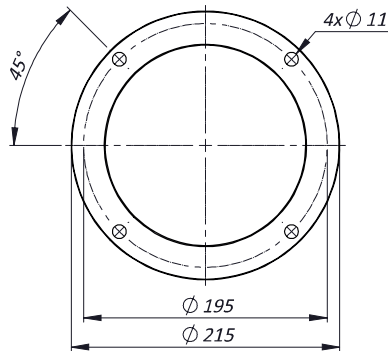
EXPTZTV2-LED FRONT VIEW



EXPTZTV2-LED SIDE VIEW



MOUNTING PATTERN



The unit cannot be installed upside-down nor horizontally