

# TECNOVIDEO

CCTV SYSTEMS AND ACCESSORIES

## LINEA 6 SERIES

OUTDOOR ALUMINIUM CAMERA HOUSING

SAFE AREA

- ROBUST ALUMINIUM CONSTRUCTION
- SLIDE AND HANG OPENING SYSTEM
- POWDER COATED RAL9002 COLOR
- WEATHERPROOF IP66
- WIDE RANGE OF ACCESSORIES
- SUITABLE FOR ANALOG AND IP CAMERAS



### TECHNICAL SPECIFICATIONS

#### GENERAL & MECHANICAL

<b>Dimensions</b>	See drawings next page
<b>Operating Temperature</b>	-40°C +60°C, +75°C peak (-40°F +140°F, +167°F peak)
<b>Construction</b>	Extruded aluminium body and sunshield Die cast aluminium parts
<b>Finish</b>	RAL9002 Polyester powder coating
<b>Mounting</b>	See drawings next page
<b>Cable entries</b>	3 M16x1,5 cable glands
<b>Weight</b>	3 Kg

#### ELECTRICAL

<b>Thermostatically controlled heater</b>	T[°C] ON = 15 ± 5°C, T[°C] OFF = 22 ± 4°C
<b>Available voltages</b>	12-24VAC/DC, 115-230VAC/DC
<b>Max power consumption</b>	7W average, 20W peak (12-24VAC/DC); 10W average, 40W peak (115-230VAC)

#### CERTIFICATIONS

<b>Ingress Protection (EN 60529)</b>	IP66
<b>EMC</b>	EN/IEC 61000-6-2; EN/IEC 61000-6-4; EN 50130-4; EN 55035
<b>LVD</b>	EN 60950-1; EN 60950-22
<b>RoHS</b>	2011/65/EU + 2015/863/EU (RoHS 3)
<b>WEEE</b>	2012/19/EU

#### MODELS

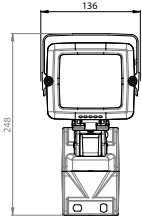
<b>KIT6ASH/24</b>	Fixed housing, MEDIUM size, with sunshield, 12-24VAC/DC heater, BW6H6 wall mount bracket
<b>KIT6ASH/230</b>	Fixed housing, MEDIUM size, with sunshield, 115-230VAC heater, BW6H6 wall mount bracket
<b>KIT6ASH-L/24</b>	Fixed housing, LONG size, with sunshield, 12-24VAC/DC heater, BW6H6 wall mount bracket
<b>KIT6ASH-L/230</b>	Fixed housing, LONG size, with sunshield, 115-230VAC heater, BW6H6 wall mount bracket
<b>KIT6PSH/24</b>	Fixed housing, MEDIUM size, with sunshield, 12-24VAC/DC heater, BWPHP wall mount bracket
<b>KIT6PSH/230</b>	Fixed housing, MEDIUM size, with sunshield, 115-230VAC heater, BWPHP wall mount bracket
<b>KIT6PSH-L/24</b>	Fixed housing, LONG size, with sunshield, 12-24VAC/DC heater, BWPHP wall mount bracket
<b>KIT6PSH-L/230</b>	Fixed housing, LONG size, with sunshield, 115-230VAC heater, BWPHP wall mount bracket
<b>KIT6ACSH/24</b>	Fixed housing, MEDIUM size, with sunshield, 12-24VAC/DC heater, CBRH6 ceiling mount bracket
<b>KIT6ACSH/230</b>	Fixed housing, MEDIUM size, with sunshield, 115-230VAC heater, CBRH6 ceiling mount bracket
<b>KIT6ACSH-L/24</b>	Fixed housing, LONG size, with sunshield, 12-24VAC/DC heater, CBRH6 ceiling mount bracket
<b>KIT6ACSH-L/230</b>	Fixed housing, LONG size, with sunshield, 115-230VAC heater, CBRH6 ceiling mount bracket

#### ACCESSORIES

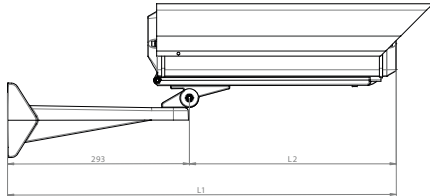
<b>PSU02</b>	Power supply 115-230VAC/12VDC installed inside the housing
<b>PA1</b>	Pole mount adapter for one bracket

## DIMENSIONS

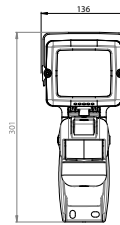
KIT6A FRONT VIEW



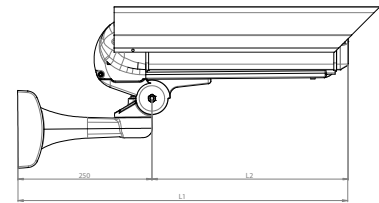
KIT6A SIDE VIEW



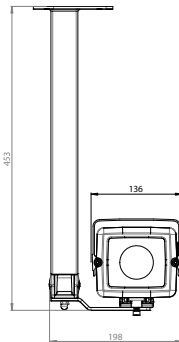
KIT6P FRONT VIEW



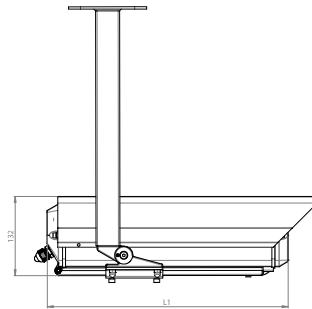
KIT6P SIDE VIEW



KIT6AC FRONT VIEW



KIT6AC SIDE VIEW



### MAX EXTERNAL LENGTH

Model	L1 [mm]	L2 [mm]
KIT6ASH/24	575	282
KIT6ASH/230	575	282
KIT6ASH-L/24	625	332
KIT6ASH-L/230	625	332
KIT6PSH/24	566	316
KIT6PSH/230	566	316
KIT6PSH-L/24	616	366
KIT6PSH-L/230	616	366
KIT6ACSH/24	353	\
KIT6ACSH/230	353	\
KIT6ACSH-L/24	403	\
KIT6ACSH-L/230	403	\

### MAX INTERNAL DIMENSION

Model	[mm]
KIT6A	105 x 86 x 264 (314)
KIT6P	105 x 86 x 264 (314)
KIT6AC	105 x 86 x 264 (314)

### MOUNTING PATTERN

Model	Mounting Pattern
KIT6A	4x Ø 8 on a 121x36
KIT6P	4x Ø 8 on a 121x36
KIT6AC	3x Ø 8 on a 97,6 (triangle)