

TECNOVIDEO

CCTV SYSTEMS AND ACCESSORIES

PTZ200 SERIES

STAINLESS STEEL PTZ CAMERA STATION

SAFE AREA

- PTZ CAMERA FOR HARSH ENVIRONMENTS
- AISI316L STAINLESS STEEL CONSTRUCTION
- SUITABLE FOR IP CAMERAS
- WEATHERPROOF STANDARD IP66/IP67
- OPERATING TEMPERATURE -40°C +60°C
- VISIBLE DAY/NIGHT AND THERMAL VERSIONS AVAILABLE
- OPTIONAL BUILT-IN FIBER MEDIA CONVERTER



TECHNICAL SPECIFICATIONS

GENERAL & MECHANICAL

Dimensions	See drawings next page
Operating Temperature	-40° +60°C (-40° +140° F)
Construction	AISI316L Stainless Steel
Finish	Electro-polished
Window	Tempered glass (visible)/Germanium (thermal), usable Ø70 mm, AR/DLC coating
Mounting	4x Ø11 on 195 PCD
Cable entries	2 M25x1,5 cable entry
Wiper	Yes
Pan Angle	360° continuous rotation
Pan Speed	0 – 36°/second
Pan Torque	20Nm (limited with safety device)
Tilt Angle	180° (+/-90°)
Tilt Speed	0 – 18°/second
Tilt Torque	20Nm (limited with safety device)
Rotation angle	Electronically adjustable
Backlash	<0,1°
Max preset accuracy	0,04°
Control protocol	Pelco D (RS485)
Model	Unit [kg] Package [kg]
PTZ200	27* 29
PTZ200IR	26* 28

* total weight of the unit may increase depending on configuration.

ELECTRICAL

Thermostatically controlled heater	T[°C] ON = 12 ± 4°C, T[°C] OFF = 20 ± 3°C
Supply voltage	24VAC, 230 VAC (+/-10%)
Power consumption	95W

CERTIFICATIONS

Ingress Protection (EN 60529)	IP66/IP67
EMC	EN 50130-4; EN/IEC 61000-6-2; EN/IEC 61000-6-4
LVD	EN 60950-1; EN 60950-22
RoHS	2011/65/EU + 2015/863/EU (RoHS 3)
WEEE	2012/19/EU

MODELS

PTZ200/24	AISI316L PTZ camera housing, 24VAC
PTZ200/230	AISI316L PTZ camera housing, 230VAC
PTZ200IR/24	AISI316L Thermal PTZ camera housing with Germanium window, 24VAC
PTZ200IR/230	AISI316L Thermal PTZ camera housing with Germanium window, 230VAC

PRE-ASSEMBLED CONDUIT TAILS

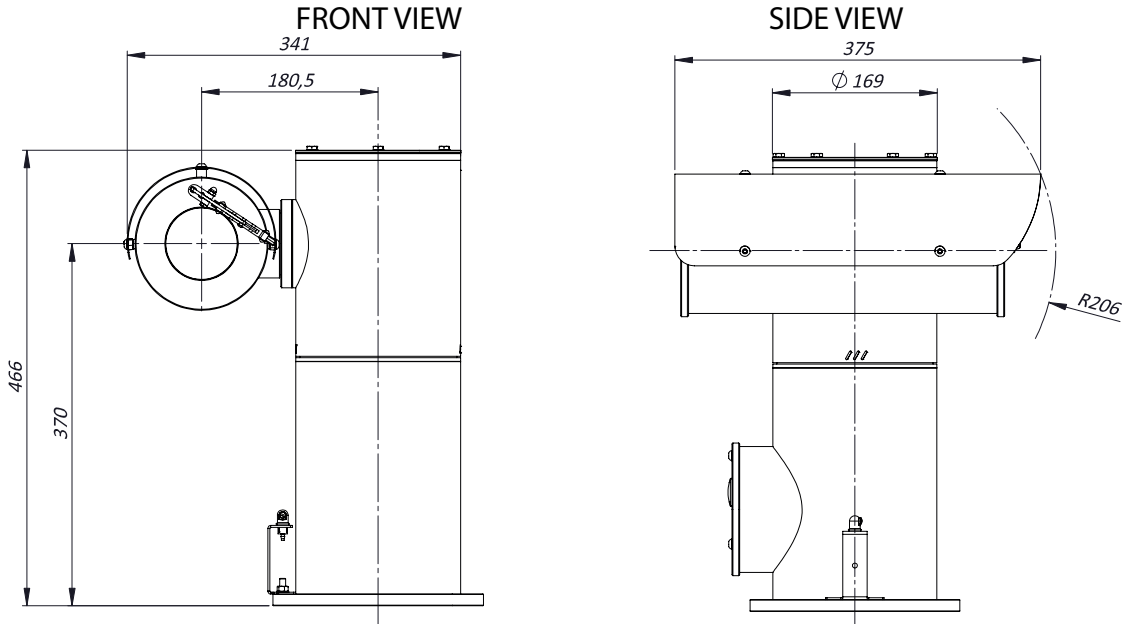
SAUCCT3-B	3 meters composite cable tail (power, CAT6A, data) with two M25 nickel-plated brass glands. For PTZ camera
SAUCCTF3-D	3 meters composite cable tail (power, data, fiber optic) with two M25 nickel-plated brass glands. Fiber termination: SC. For PTZ camera
SAUCCT5-B	5 meters composite cable tail (power, CAT6A, data) with two M25 nickel-plated brass glands. For PTZ camera
SAUCCTF5-D	5 meters composite cable tail (power, data, fiber optic) with two M25 nickel-plated brass glands. Fiber termination: SC. For PTZ camera
SAUCCT10-B	10 meters composite cable tail (power, CAT6A, data) with two M25 nickel-plated brass glands. For PTZ camera
SAUCCTF10-D	10 meters composite cable tail (power, data, fiber optic) with two M25 nickel-plated brass glands. Fiber termination: SC. For PTZ camera

ACCESSORIES

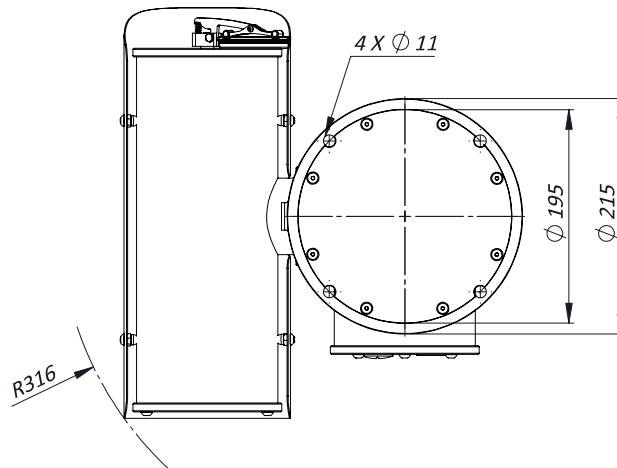
SSBK-L	Wall mounting bracket
ET1111-B-MT	Singlemode/2-fiber/SC Media converter. For rack side

STAINLESS STEEL PTZ CAMERA STATION

DIMENSIONS



MOUNTING PATTERN



MAX INTERNAL AVAILABLE DIMENSIONS

Model	Max internal dimensions [mm]	Max usable internal diameter [mm]
PTZ200	80x80x195	84
PTZ200IR	80x80x195	96

Please contact us for more information on suitable camera models