

PTZ250 SERIES

STAINLESS STEEL PTZ CAMERA HOUSING

SAFE AREA

- AISI316L STAINLESS STEEL PTZ CAMERA HOUSING
- SUITABLE FOR IP CAMERAS
- WEATHERPROOF STANDARD IP66/IP67
- OPERATING TEMPERATURE -40°C +60°C (+75°C PEAK)
- VISIBLE DAY/NIGHT AND THERMAL VERSIONS AVAILABLE
- OPTIONAL BUILT-IN FIBER MEDIA CONVERTER



TECHNICAL SPECIFICATIONS

GENERAL & MECHANICAL

Dimensions	See drawings next page
Operating Temperature	-40°C +60°C, +75°C peak (-40°F +140°F, +167°F peak)
Construction	AISI316L Stainless Steel
Finish	Electro-polished
Mounting	4x Ø11 on 195 PCD
Cable entries	2x M25x1,5 cable entries
Wiper	Yes (only for PTZ250-CR models)
Pan Angle	360° (continuous rotation)
Pan Speed	0 – 40°/second
Pan Torque	20Nm (limited with safety device)
Tilt Angle	180° (+/-90°)
Tilt Speed	0 – 20°/second
Tilt Torque	20Nm (limited with safety device)
Rotation angle	Electronically adjustable
Backlash	<0,1°
Max preset accuracy	0,04°
Control protocol	Pelco D (via RS485)
Weight	Unit: 31Kg / Gross weight: 35Kg (PTZ250 day/night)

ELECTRICAL

Thermostatically controlled heater	T[°C] ON = 12 ± 4°C, T[°C] OFF = 20 ± 3°C
---	---

Supply voltage	24VAC, 230VAC (+/-10%)
Power consumption	95W

FIBER OPTIC MEDIA CONVERTER

Interface	SC connectors (10/100 Base-TX)
Cabling	Singlemode (9/125 µm) /2-fiber/SC
Maximum distance	20km
Wavelength	1310 nm

CERTIFICATIONS

Ingress Protection	EN 60529 (IP66/IP67)
EMC	EN/IEC 61000-6-2; EN/IEC 61000-6-4; EN 50130-4; EN 55035
LVD	EN 60950-1 ; EN 60950-22
RoHS	2011/65/EU + 2015/863/EU (RoHS 3)
WEEE	2012/19/EU

MODELS

PTZ250-CR/24	PTZ camera housing for Day/Night cameras, 24VAC
PTZ250-CR/230	PTZ camera housing for Day/Night cameras, 230VAC
PTZ250IR-CR/24	PTZ camera housing with Germanium window for thermal cameras, 24VAC
PTZ250IR-CR/230	PTZ camera housing with Germanium window for thermal cameras, 230VAC

All the above models include sunshield and heater, a built-in telemetry receiver, variable speed motors.
Available upon request:
- Built-in Singlemode Fiber Optic media converter

PRE-ASSEMBLED CONDUIT TAILS

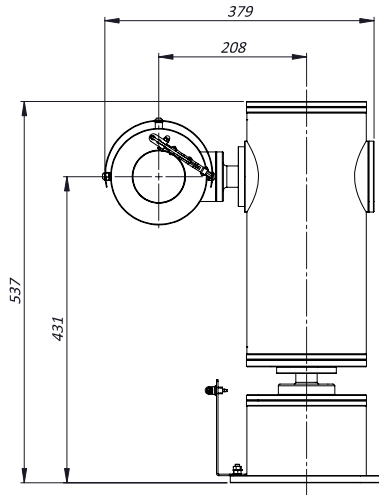
SAUCCT3-B	3 meters composite cable tail (power, CAT6A, data) with two M25 nickel-plated brass glands.
SAUCCTF3-D	3 meters composite cable tail (power, data, fiber optic) with two M25 nickel-plated brass glands. Fiber termination: SC.
SAUCCT5-B	5 meters composite cable tail (power, CAT6A, data) with two M25 nickel-plated brass glands.
SAUCCTF5-D	5 meters composite cable tail (power, data, fiber optic) with two M25 nickel-plated brass glands. Fiber termination: SC.
SAUCCT10-B	10 meters composite cable tail (power, CAT6A, data) with two M25 nickel-plated brass glands. For PTZ camera
SAUCCTF10-D	10 meters composite cable tail (power, data, fiber optic) with two M25 nickel-plated brass glands. Fiber termination: SC.

ACCESSORIES

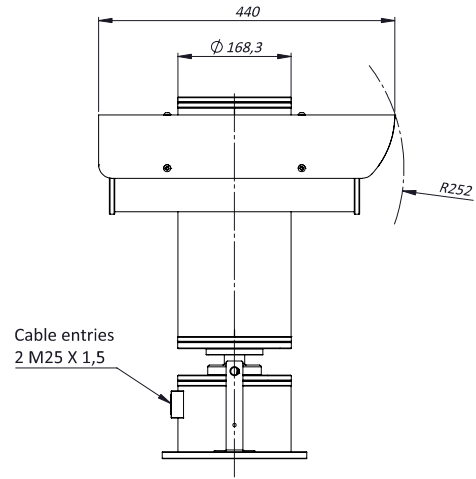
SSBK-L	Wall mounting bracket
---------------	-----------------------

DIMENSIONS

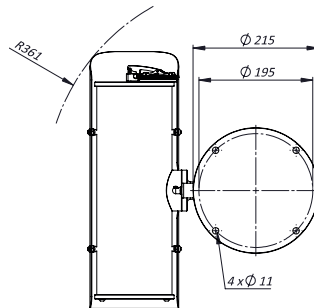
PTZ250-CR VIEW



PTZ250-CR SIDE VIEW



MOUNTING PATTERN



MAX EXTERNAL LENGTH

Model	L1 [mm]	Height	L2 [mm]	Width
PTZ250-CR/24	537		440	
PTZ250-CR/230	537		440	
PTZ250IR-CR/24	537		440	
PTZ250IR-CR/230	537		440	

MAX INTERNAL AVAILABLE DIMENSIONS

Model	Max internal dimensions [mm]	Max usable internal diameter [mm]
PTZ250	80x80x180	84
PTZ250IR	80x80x205	96

Please contact us if bigger cameras/zoom lenses are needed.

The unit cannot be installed upside-down nor horizontally