

# TECNOVIDEO

CCTV SYSTEMS AND ACCESSORIES

## SAF129TB SERIES

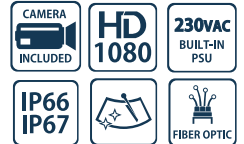
STAINLESS STEEL FIXED CAMERA STATION

SAFE AREA

- AISI316L STAINLESS STEEL CONSTRUCTION
- BOSCH DINION IP STARLIGHT CAMERA WITH BUILT-IN VIDEO ANALYTICS
- BVMS COMPATIBLE
- WEATHERPROOF STANDARD IP66/IP67
- OPTIONAL BUILT-IN FIBER MEDIA CONVERTER



POWERED BY  
 **BOSCH**  
DINION IP



 | 

### TECHNICAL SPECIFICATIONS

#### GENERAL & MECHANICAL

<b>Dimensions</b>	See drawings next page
<b>Operating Temperature</b>	-40°C +60°C (-40°F +140°F), cold start -30°C (-22°F)
<b>Construction</b>	AISI316L Stainless Steel
<b>Finish</b>	Electro-polished
<b>Mounting</b>	See drawings next page
<b>Cable entries</b>	2 M20x1,5 nickel plated brass cable glands (included) Standard cable diameter 5-10mm

<b>Weight</b>		
<b>Model</b>	<b>Unit [kg]</b>	<b>Package [kg]</b>
SAF129TB-L	7,5	8,5
SAF129WRTB-L	9	10,5


#### ELECTRICAL

<b>Thermostatically controlled heater</b>	<b>T[°C] ON</b> = 12 ± 4°C, <b>T[°C] OFF</b> = 20 ± 3°C
---	---

<b>Available voltages</b>	24VAC, 230VAC (+/-10%) PoE available upon request.
<b>Max power consumption</b>	20W

#### CAMERA/LENS

ORDERING INFORMATION

 <b>BOSCH</b>	DINION IP Starlight CAMERA SERIES		
	LENS MODELS	6000 HD (6)	7000 HD (7)
LVF-5003C-P2713 (A)	6A	7A	/
LVF-5005C-S4109 (D)	6D	7D	8D

To order the camera and lens to be integrated in the housing, please specify the related number (C-camera series) and letter (L-lens model) in the ordering code (see MODELS).

#### Example:

For the housing with integrated DINION IP Starlight 7000 HD (7) and LVF-5003C-P2713 (A) the ordering code is: SAF129TB7A-L/24.

#### CERTIFICATIONS

<b>Ingress Protection (EN 60529)</b>	EN 60529 (IP66/IP67)
<b>EMC</b>	EN50130-4; EN55035 ; EN/IEC61000-6-2; EN/IEC61000-6-4
<b>LVD</b>	EN 60950-1 ; EN 60950-22
<b>RoHS</b>	2011/65/EU + 2015/863/EU (RoHS 3)
<b>WEEE</b>	2012/19/EU

#### MODELS

<b>SAF129TBCL-L/24</b>	Fixed camera station, LONG size, 24VAC
<b>SAF129TBCL-L/230</b>	Fixed camera station, LONG size, 230VAC
<b>SAF129WRTBCL-L/24</b>	Fixed camera station, LONG size, with wiper, 24VAC
<b>SAF129WRTBCL-L/230</b>	Fixed camera station, LONG size, with wiper, 230VAC

C = camera, L = lens. For the ordering codes, please refer to the CAMERA/LENS table.  
All the above models include sunshield and heater.

#### PRE-ASSEMBLED CONDUIT TAILS

<b>SAUCCT3-A</b>	3 meters composite cable tail (power, Ethernet, data) with two M20 nickel-plated brass glands.
<b>SAUCCT5-A</b>	5 meters composite cable tail (power, Ethernet, data) with two M20 nickel-plated brass glands.
<b>SAUCCT10-A</b>	10 meters composite cable tail (power, Ethernet, data) with two M20 nickel-plated brass glands.

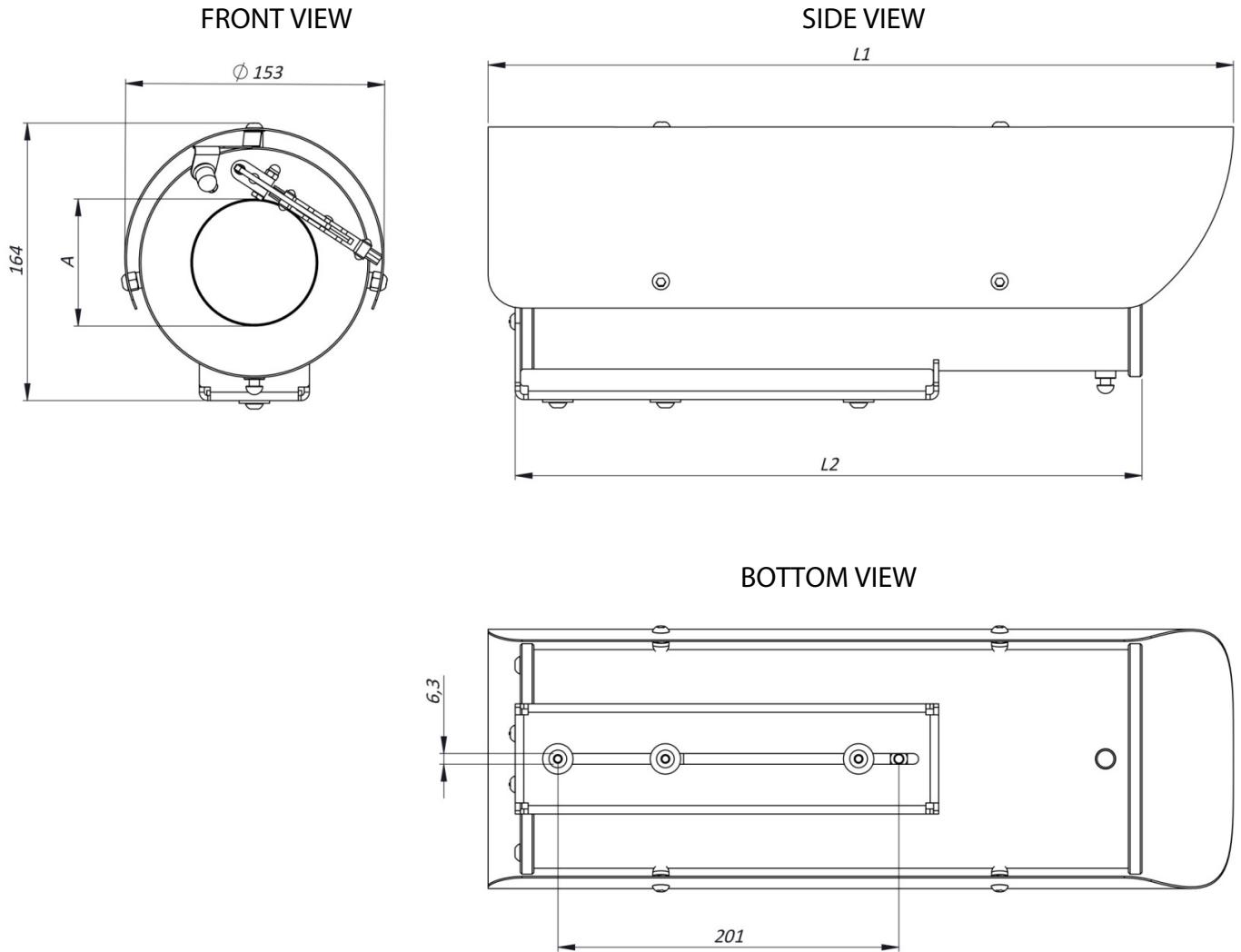
#### ACCESSORIES

<b>SSBK-S</b>	AISI316L Wall Mount
<b>SSBKCLN-S</b>	AISI316L Ceiling Mount
<b>SSPM-S</b>	AISI316L Pole Mount Adapter for SSBK-S
<b>SSPTM-S</b>	AISI316L Top Pole Mount

[www.tecnovideoocctv.com](http://www.tecnovideoocctv.com)

Tecnovideo S.r.l. - Via A. De Gasperi, 3 36030 Villaverla (VI) ITALY - Tel. +39.0445.350444 - [info@tecnovideoocctv.com](mailto:info@tecnovideoocctv.com)

## DIMENSIONS



FOR "A" VALUES CHECK "MODELS" SECTION

### MAX EXTERNAL LENGTH

Model	L1 [mm]	L2 [mm]
SAF129TB-L/SAF129WRTB-L	540	475