

TECNOVIDEO

CCTV SYSTEMS AND ACCESSORIES

SAP200TV2 SERIES

STAINLESS STEEL PTZ CAMERA STATION

SAFE AREA

- PTZ CAMERA FOR HARSH ENVIRONMENTS
- AISI316L STAINLESS STEEL CONSTRUCTION
- 3MP CAMERA, 30FPS, 33x AUTOFOCUS OPTICAL ZOOM
- WEATHERPROOF STANDARD IP66/IP67
- -40°C +60°C
- SUPPORTS 802.1X and SNMP (V1-3)
- SD EDGE STORAGE



ONVIF® | G S T

TECHNICAL SPECIFICATIONS

GENERAL & MECHANICAL

Dimensions	See drawings next page
Operating Temperature	-40°C +60°C, +75°C peak (-40°F +140°F, +167°F peak)
Construction	AISI316L Stainless Steel
Finish	Electro-polished
Mounting	4x Ø11 on 195 PCD
Cable entries	2x M25x1,5 cable entry
Wiper	Yes
Pan Angle	360° continuous rotation
Pan Speed	0 – 36°/second
Pan Torque	20Nm (limited with safety device)
Tilt Angle	180° (+/-90°)
Tilt Speed	0 – 18°/second
Tilt Torque	20Nm (limited with safety device)
Rotation angle	Electronically adjustable
Backlash	<0,1°
Max preset accuracy	0,04°
Max preset accuracy	Pelco D (RS485)
Weight	Unit: 28kg/Package: 30kg

ELECTRICAL

Thermostatically controlled heater	T[°C] ON = 12 ± 4°C, T[°C] OFF = 20 ± 3°C
Supply voltage	24VAC, 230VAC (+/-10%)
Power consumption	95W

VIDEO/CAMERA

Sensor	1/2.8" Progressive CMOS, 3MP
Compression	M-JPEG/H.264/H.265
Streaming	Up to 4 configurable streams
Resolution	Up to 2065x1553 @30fps
Frame Rate	30 fps
Sensitivity	Color: 0.04 lux, B/W: 0.002 lux
Shutter Speed	1-1/10000 s
Dynamic range	WDR/HDR
Analytics	Motion Detection/ Tampering/ Audio detection
Lens	33x Optical Zoom, AF, P-Iris, Auto-Iris; 4.6-152mm; F1.6
Image settings	Color, Brightness, Sharpness, Contrast, White Balance, Exposure control, 2DNR/3DNR/NR by motion masking
Event Triggers	External Input, Analytics, Network Failure Detection, Periodical Event, Manual Trigger
Event Actions	External Output Activation
Local Storage	microSD (card not provided)
Network Storage	support for recording to NAS

NETWORK

Interface	10/100 Mbps Ethernet
Security	User Authentication/ HTTPS/ IP Filter/ IEEE 802.1x
ONVIF	ONVIF profile G/S/T compliant
Protocols	IPv4/v6, TCP, UDP, RTP, RTSP, HTTP, HTTPS, ICMP, FTP, SMTP, DHCP, PPPoE, UPnP, IGMP, SNMP, QoS, ARP, NTP

CERTIFICATIONS

Ingress Protection (EN 60529)	IP66/IP67
EMC	EN 50130-4; EN/IEC 61000-6-2; EN/IEC 61000-6-4
LVD	EN 60950-1; EN 60950-22
RoHS	2011/65/EU + 2015/863/EU (RoHS 3)
WEEE	2012/19/EU

MODELS

SAP200TV2/24	PTZ camera station, 24VAC
SAP200TV2/230	PTZ camera station, 230VAC

PRE-ASSEMBLED CONDUIT TAILS

SAUCC3-B	3 meters composite cable tail (power, CAT6A, data) with two M25 nickel-plated brass glands. For PTZ camera
SAUCC5-B	5 meters composite cable tail (power, CAT6A, data) with two M25 nickel-plated brass glands. For PTZ camera
SAUCC10-B	10 meters composite cable tail (power, CAT6A, data) with two M25 nickel-plated brass glands. For PTZ camera

ACCESSORIES

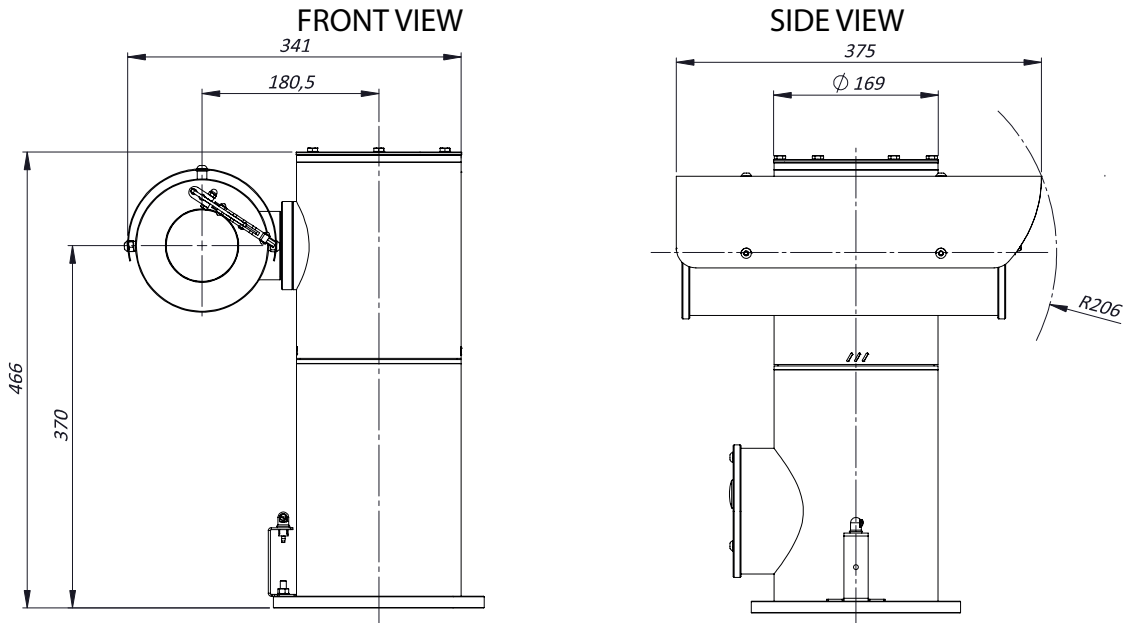
SSBK-L	Wall mounting bracket
---------------	-----------------------

www.tecnovideoocctv.com

Tecnovideo S.r.l. - Via A. De Gasperi, 3 36030 Villaverla (VI) ITALY - Tel. +39.0445.350444 - info@tecnovideoocctv.com

STAINLESS STEEL PTZ CAMERA STATION

DIMENSIONS



MOUNTING PATTERN

