

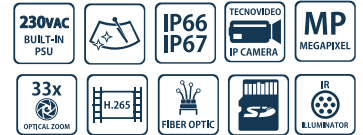
TECNOVIDEO

CCTV SYSTEMS AND ACCESSORIES

SAP250TV2-LED SERIES

STAINLESS STEEL PTZ CAMERA STATION WITH IR LED ILLUMINATOR

- AISI316L STAINLESS STEEL PTZ CAMERA WITH IR LED ILLUMINATOR
- 3MP CAMERA, 30FPS, 33x AUTOFOCUS OPTICAL ZOOM
- WEATHERPROOF STANDARD IP66/IP67
- OPERATING TEMPERATURE -40°C +60°C
- OPTIONAL BUILT-IN FIBER MEDIA CONVERTER
- SUPPORTS 802.1X and SNMP (V1-3)
- SD EDGE STORAGE



TECHNICAL SPECIFICATIONS

GENERAL & MECHANICAL

Dimensions	See drawings next page
Operating Temperature	-40°C +60°C, +75°C peak (-40°F +140°F, +167°F peak)
Construction	AISI316L Stainless Steel
Finish	Electro-polished
Mounting	4x Ø11 on 195 PCD
Cable entries	2x M25x1,5 cable entries
Wiper	Yes
Pan Angle	360° (continuous rotation)
Pan Speed	0 - 40°/second
Pan Torque	20Nm (limited with safety device)
Tilt Angle	180° (+/-90°)
Tilt Speed	0 - 20°/second
Tilt Torque	20Nm (limited with safety device)
Rotation angle	Electronically adjustable
Backlash	<0,1°
Max preset accuracy	0,04°

Weight Unit: 41kg / Gross weight: 44kg

ELECTRICAL

Thermostatically controlled heater T[°C] ON = 12 ± 4°C, T[°C] OFF = 20 ± 3°C

Supply voltage 24VAC, 230VAC (+/-10%)
Power consumption 10W min (stationary, IR illuminator/wiper/heater off)
120W MAX

VIDEO/CAMERA

Sensor	1/2.8" Progressive CMOS, 3MP
Resolution	Up to 2065x1553 @30fps
Compression	H.265/H.264/MJPEG
Streaming	Up to 4 configurable streams
Frame Rate	60fps (WDR off), 30 fps (WDR on)
Sensitivity	Color: 0.04 lux, B/W: 0.002 lux
Shutter Speed	1~1/10000 s
Optical Filter	Automatically removable IR-cut filter
White Balance	Contrast White Balance
Dynamic range	WDR/HDR
Lens	33x Optical Zoom Autofocus, 10x Digital Zoom, - AF, P-Iris, Auto-Iris; 4.6-152mm; F1.6
Image settings	Color, Brightness, Sharpness, Contrast, White Balance, Exposure control, 2DNR/3DNR/NR by motion masking
Event Triggers	External Input, Analytics, Network Failure Detection, Periodical Event, Manual Trigger
Event Actions	External Output Activation
Analytics	Motion Detection/Tampering. OPTIONAL: intrusion detection, wrong direction, object removal, sabotage, loitering, stopped vehicle, object counting
Local storage	microSD (card not provided)

Network Storage	support for recording to NAS
SNR	>50dB
Noise Reduction	3D Motion Compensated Noise Reduction
Iris	P-Iris, Auto-Iris
Image Stabilization	EIS
NETWORK	
Interface	10/100 Mbps Ethernet
Security	User Authentication/ HTTPS/ IP Filter/ IEEE 802.1x
ONVIF	ONVIF profile G/S/T/M compliant
Protocols	IPv4/v6, TCP, UDP, RTP, RTSP, HTTP, HTTPS, ICMP, FTP, SMTP, DHCP, PPPoE, UPnP, IGMP, SNMP, QoS, ARP, NTP

FIBER OPTIC MEDIA CONVERTER

Interface	SC connectors (10/100 Base-FX)
Cabling	Singlemode (9/125 µm) /2-fiber/SC
Maximum distance	20km
Wavelength	1310 nm

LED ILLUMINATOR

LED	14x SMD LED
Wavelength	850nm
Beam patterns	15° or 34° circular beam

CERTIFICATIONS

Ingress Protection	EN 60529 (IP66/IP67)
EMC	EN 50130-4; EN 55035 ; EN/IEC 61000-6-2 ; EN/IEC 61000-6-4
LVD	EN 60950-1; EN 60950-22; EN/IEC 62368-1
RoHS	2011/65/EU + 2015/863/EU (RoHS 3)
WEEE	2012/19/EU

MODELS

SAP250TV2-CRLED15/24	PTZ camera station, IR LED illuminator with 15° beam pattern, 24VAC
SAP250TV2-CRLED15/230	PTZ camera station, IR LED illuminator with 15° beam pattern, 230VAC
SAP250TV2FO-CRLED15/24	PTZ camera station, IR LED illuminator with 15° beam pattern, SM FO media converter, 24VAC
SAP250TV2FO-CRLED15/230	PTZ camera station, IR LED illuminator with 15° beam pattern, SM FO media converter, 230VAC
SAP250TV2-CRLED34/24	PTZ camera station, IR LED illuminator with 34° beam pattern, 24VAC
SAP250TV2-CRLED34/230	PTZ camera station, IR LED illuminator with 34° beam pattern, 230VAC
SAP250TV2FO-CRLED34/24	PTZ camera station, IR LED illuminator with 34° beam pattern, SM FO media converter, 24VAC
SAP250TV2FO-CRLED34/230	PTZ camera station, IR LED illuminator with 34° beam pattern, SM FO media converter, 230VAC

All the above PTZ models include sunshield, heater.

www.tecnovideoocctv.com

Tecnovideo S.r.l. - Via A. De Gasperi, 3 36030 Villaverla (VI) ITALY - Tel. +39.0445.350444 - info@tecnovideoocctv.com

STAINLESS STEEL PTZ CAMERA STATION WITH IR LED ILLUMINATOR

PRE-ASSEMBLED CONDUIT TAILS

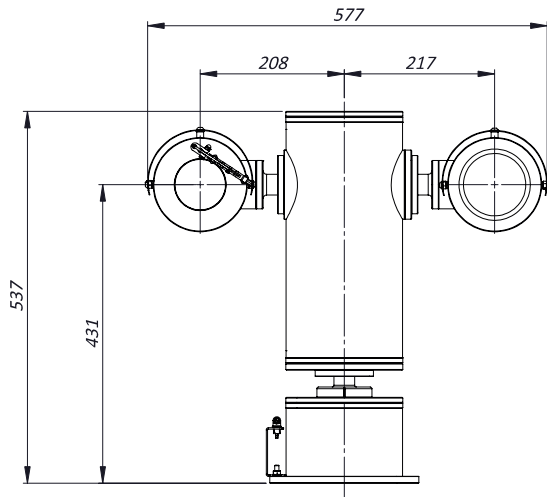
SAUCCT3-B	3 meters composite cable tail (power, CAT6A, data) with two M25 nickel-plated brass glands.
SAUCCTF3-D	3 meters composite cable tail (power, data, fiber optic) with two M25 nickel-plated brass glands. Fiber termination: SC.
SAUCCT5-B	5 meters composite cable tail (power, CAT6A, data) with two M25 nickel-plated brass glands.
SAUCCTF5-D	5 meters composite cable tail (power, data, fiber optic) with two M25 nickel-plated brass glands. Fiber termination: SC.
SAUCCT10-B	10 meters composite cable tail (power, CAT6A, data) with two M25 nickel-plated brass glands.
SAUCCTF10-D	10 meters composite cable tail (power, data, fiber optic) with two M25 nickel-plated brass glands. Fiber termination: SC.

ACCESSORIES

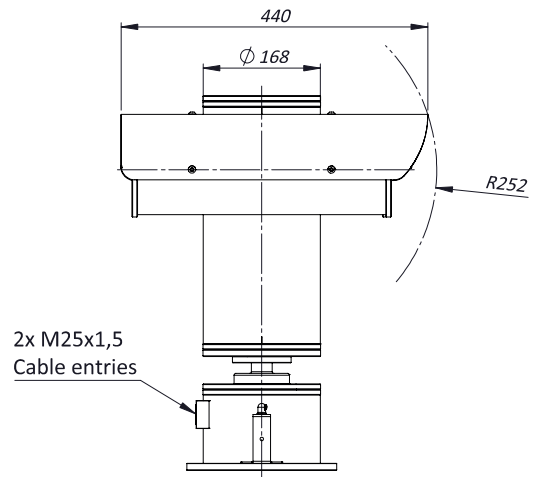
SSBK-L	Wall mounting bracket
---------------	-----------------------

DIMENSIONS

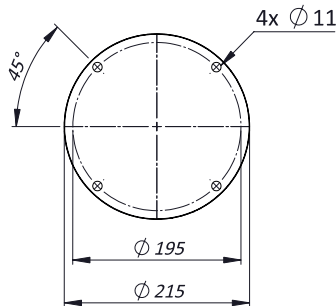
FRONT VIEW



SIDE VIEW



MOUNTING PATTERN



The unit cannot be installed upside-down nor horizontally