

TECNOVIDEO

CCTV SYSTEMS AND ACCESSORIES

SAP250TB-LED SERIES

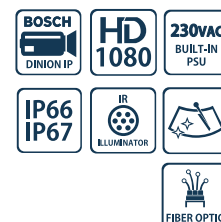
STAINLESS STEEL PTZ CAMERA STATION WITH IR ILLUMINATOR

SAFE AREA

- AISI316L STAINLESS STEEL CONSTRUCTION
- INTEGRATED **BOSCH DINION IP STARLIGHT CAMERA**
- PREASSEMBLED 17x HIGH QUALITY AUTOFOCUS ZOOM LENS
- INTEGRATED IR ILLUMINATOR
- 10W MIN POWER CONSUMPTION
- OPTIONAL BUILT-IN FIBER MEDIA CONVERTER
- OPTIONAL BUILT-IN 115VAC or 230VAC POWER SUPPLIES
- INTEGRATED WIPER
- BVMS COMPATIBLE



POWERED BY
BOSCH
DINION IP



ONVIF®

TECHNICAL SPECIFICATIONS

GENERAL & MECHANICAL

Dimensions	See drawings next page
Operating Temperature	-40° +60°C (-40° +140° F), -20°C cold start (-4°F)
Construction	AISI316L Stainless Steel
Finish	Electro-polished
Mounting	4x Ø11 on 195 PCD
Cable entries	2x M25x1,5 cable entries
Wiper	Yes
Pan Angle	360° (continuous rotation)
Pan Speed	0 – 40°/second
Pan Torque	20Nm (limited with safety device)
Tilt Angle	180° (+/-90°)
Tilt Speed	0 – 20°/second
Tilt Torque	20Nm (limited with safety device)
Rotation angle	Electronically adjustable
Backlash	<0,1°
Max preset accuracy	0,04°
Control protocol	Pelco D (RS485)
Weight	Unit: 38kg / Package: 41kg

ELECTRICAL

Thermostatically controlled heater	
T[°C] ON	= 12 ± 4°C
T[°C] OFF	= 20 ± 3°C (Camera Housing)
Supply voltage	24VAC, 115VAC, 230VAC (+/-10%)
Max power consumption	10.5W min (stationary, IR illuminator/wiper/heater off), 170W MAX

CAMERA

LENS MODEL	DINION IP Starlight CAMERA SERIES	
	6000 HD (6)	7000 HD (7)
K17	6K17	7K17

To order the camera and lens to be integrated in the housing, please specify the related number (camera series) and letter (lens model) in the ordering code (see MODELS). For the complete camera specifications, please check the official Bosch camera datasheet.

LENS	K17
Sensor	1/2.8"
Zoom Ratio	17x
Focal Length	7.5 - 127mm
IR corrected	No
Focus	Automatic
Horizontal Angle of View	43.1° – 2.75°
Iris Range	F1.6 – F2.7
Temperature Compensated	No

LED ILLUMINATOR

LED	14x SMD LED
Wavelength	850nm
Beam patterns	15° or 34° circular beam

CERTIFICATIONS

Ingress Protection	EN60529 (IP66/IP67)
EMC	EN50130-4; EN55035 ; EN/IEC61000-6-2; EN/IEC61000-6-4
LVD	EN 60950-1; EN 60950-22; EN/IEC 62368-1
RoHS	2011/65/EU + 2015/863/EU (RoHS 3)
WEEE	2012/19/EU

MODELS

SAP250TBxyyy-CRLED15/24	PTZ camera station with Dinion IP camera, IR LED illuminator with 15° beam pattern, 24VAC
SAP250TBxyyy-CRLED15/230	PTZ camera station with Dinion IP camera, IR LED illuminator with 15° beam pattern, 230VAC
SAP250TBxyyy-CRLED34/24	PTZ camera station with Dinion IP camera, IR LED illuminator with 34° beam pattern, 24VAC
SAP250TBxyyy-CRLED34/230	PTZ camera station with Dinion IP camera, IR LED illuminator with 34° beam pattern, 230VAC
SAP250TBxyyyFO-CRLED15/24	PTZ camera station with Dinion IP camera, IR LED illuminator with 15° beam pattern, SM FO media converter, 24VAC
SAP250TBxyyyFO-CRLED15/230	PTZ camera station with Dinion IP camera, IR LED illuminator with 15° beam pattern, SM FO media converter, 230VAC
SAP250TBxyyyFO-CRLED34/24	PTZ camera station with Dinion IP camera, IR LED illuminator with 34° beam pattern, SM FO media converter, 24VAC
SAP250TBxyyyFO-CRLED34/230	PTZ camera station with Dinion IP camera, IR LED illuminator with 34° beam pattern, SM FO media converter, 230VAC

X: 6 = Dinion 6000, 7 = Dinion 7000

YYY: K17 = 17x zoom Lens. For the ordering codes, please refer also to the CAMERA table

All the above PTZ camera stations include sunshield, heater and wiper.

PRE-ASSEMBLED CONDUIT TAILS

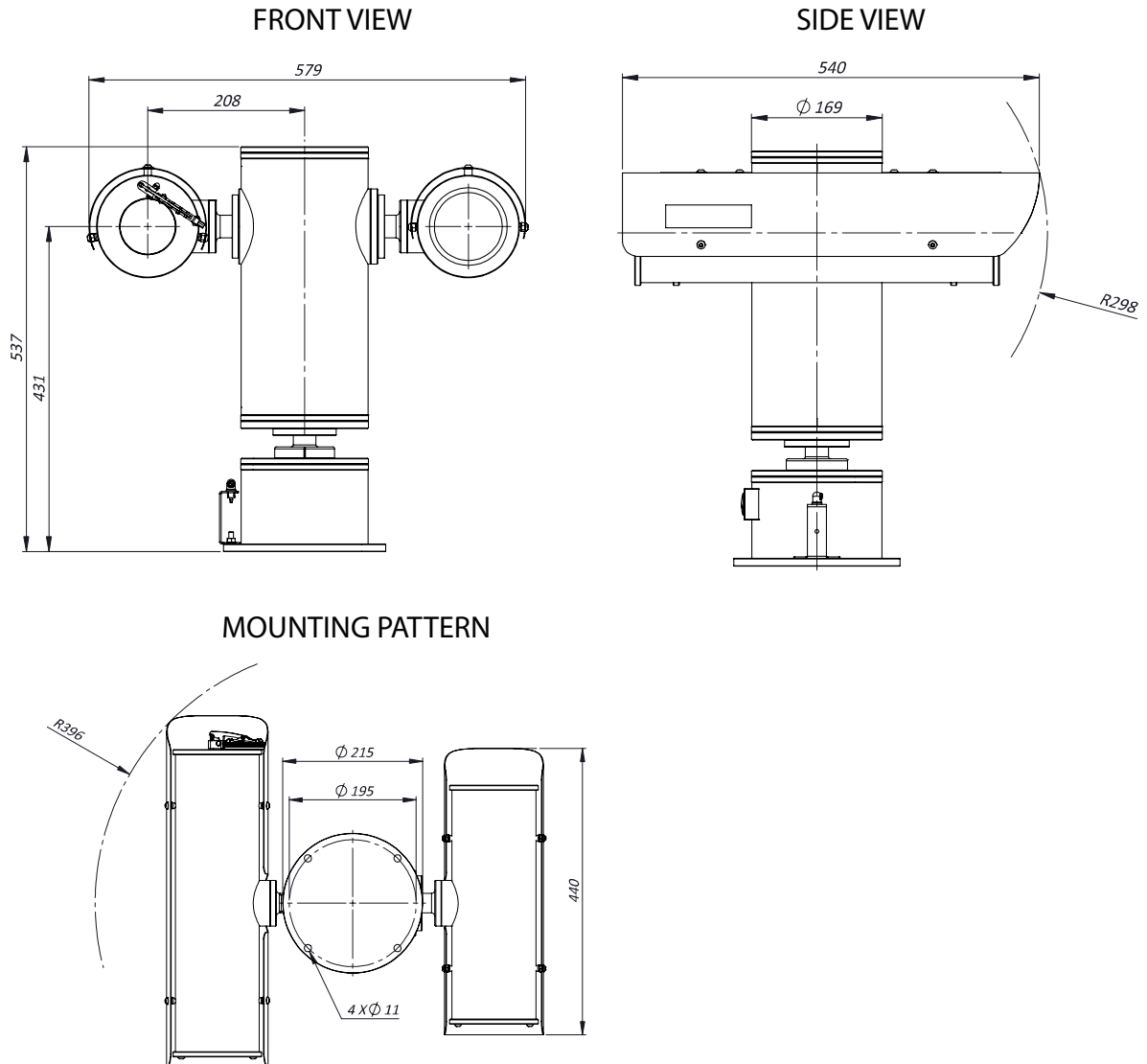
SAUCT3-B	3 meters composite cable tail (power, CAT6A, data) with two M25 nickel-plated brass glands. For PTZ camera
SAUCTF3-D	3 meters composite cable tail (power, data, fiber optic) with two M25 nickel-plated brass glands. Fiber termination: SC. For PTZ camera
SAUCT5-B	5 meters composite cable tail (power, CAT6A, data) with two M25 nickel-plated brass glands. For PTZ camera
SAUCTF5-D	5 meters composite cable tail (power, data, fiber optic) with two M25 nickel-plated brass glands. Fiber termination: SC. For PTZ camera
SAUCT10-B	10 meters composite cable tail (power, CAT6A, data) with two M25 nickel-plated brass glands. For PTZ camera
SAUCTF10-D	10 meters composite cable tail (power, data, fiber optic) with two M25 nickel-plated brass glands. Fiber termination: SC. For PTZ camera

ACCESSORIES AND SPARE PARTS

SSBK-L	Wall mounting bracket
---------------	-----------------------

STAINLESS STEEL PTZ CAMERA STATION WITH IR ILLUMINATOR

DIMENSIONS



The unit cannot be installed upside-down nor horizontally

*This is only an example of integration of Bosch Dinion cameras in Tecnovideo products.
Bosch Trademark and company logos, marks, product names and emblems are registered trademarks and belong to Robert Bosch GmbH.*

Dimensions in millimetres – Tolerances according QMS – Design and products specifications subject to change without notice – rev. 20220208