

TECNOVIDEO

CCTV SYSTEMS AND ACCESSORIES

SAP250TB SERIES

STAINLESS STEEL PTZ CAMERA STATION

SAFE AREA

- AISI316L STAINLESS STEEL CONSTRUCTION
- INTEGRATED **BOSCH DINION IP STARLIGHT CAMERA**
- PREASSEMBLED 17x HIGH QUALITY AUTOFOCUS ZOOM LENS
- 10W MIN POWER CONSUMPTION
- OPTIONAL BUILT-IN FIBER MEDIA CONVERTER
- OPTIONAL BUILT-IN 115VAC or 230VAC POWER SUPPLIES
- INTEGRATED WIPER
- BVMS COMPATIBLE



POWERED BY
BOSCH
DINION IP



ONVIF[®]

TECHNICAL SPECIFICATIONS

GENERAL & MECHANICAL

Dimensions	See drawings next page
Operating Temperature	-40° +60°C (-40° +140°F), cold start -20°C (-4°F)
Construction	AISI316L Stainless Steel
Finish	Electro-polished
Mounting	4x Ø11 on 195 PCD
Cable entries	2x M25x1,5 cable entry
Wiper	Yes

Pan Angle	360° (continuous rotation)
Pan Speed	0 – 40°/second
Pan Torque	20Nm (limited with safety device)

Tilt Angle	180° (+/-90°)
Tilt Speed	0 – 20°/second
Tilt Torque	20Nm (limited with safety device)

Rotation angle	Electronically adjustable
Backlash	<0,1°
Max preset accuracy	0,04°

Control protocol	Pelco D (RS485)
Weight	Unit: 32kg / Package: 35kg

ELECTRICAL

Thermostatically controlled heater	
T[°C] ON = 12 ± 4°C T[°C] OFF = 20 ± 3°C (Camera Housing)	
Supply voltage	24VAC, 115VAC, 230VAC (+/-10%)
Power consumption	10W min (stationary and heater/wiper off), 80W MAX

CAMERA

LENS MODEL	DINION IP Starlight CAMERA SERIES	
	6000 HD (6)	7000 HD (7)
K17	6K17	7K17

To order the camera and lens to be integrated in the housing, please specify the related number (camera series) and letter (lens model) in the ordering code (see MODELS). For the complete camera specifications, please check the official Bosch camera datasheet.

LENS	K17
Sensor	1/2.8"
Zoom Ratio	17x
Focal Length	7.5 - 127mm
IR corrected	No
Focus	Automatic
Horizontal Angle of View	43.1° – 2.75°
Iris Range	F1.6 – F2.7
Temperature Compensated	No

CERTIFICATIONS

Ingress Protection	EN60529 (IP66/IP67)
EMC	EN50130-4; EN55035; EN/IEC61000-6-2; EN/IEC61000-6-4
LVD	EN 60950-1; EN 60950-22; EN/IEC 62368-1
RoHS	2011/65/EU + 2015/863/EU (RoHS 3)
WEEE	2012/19/EU

MODELS

SAP250TBxyyy-CR/24	PTZ camera station with Dinion IP camera, 24VAC
SAP250TBxyyy-CR/230	PTZ camera station with Dinion IP camera, 230VAC
SAP250TBxyyyFO-CR/24	PTZ camera station with Dinion IP camera, SM FO media converter, 24VAC
SAP250TBxyyyFO-CR/230	PTZ camera station with Dinion IP camera, SM FO media converter, 230VAC

X: 6 = Dinion 6000, 7 = Dinion 7000

YYY: K17 = 17x zoom Lens. For the ordering codes, please refer also to the CAMERA table

All the above PTZ camera stations include sunshield, heater and wiper.

PRE-ASSEMBLED CABLE TAILS

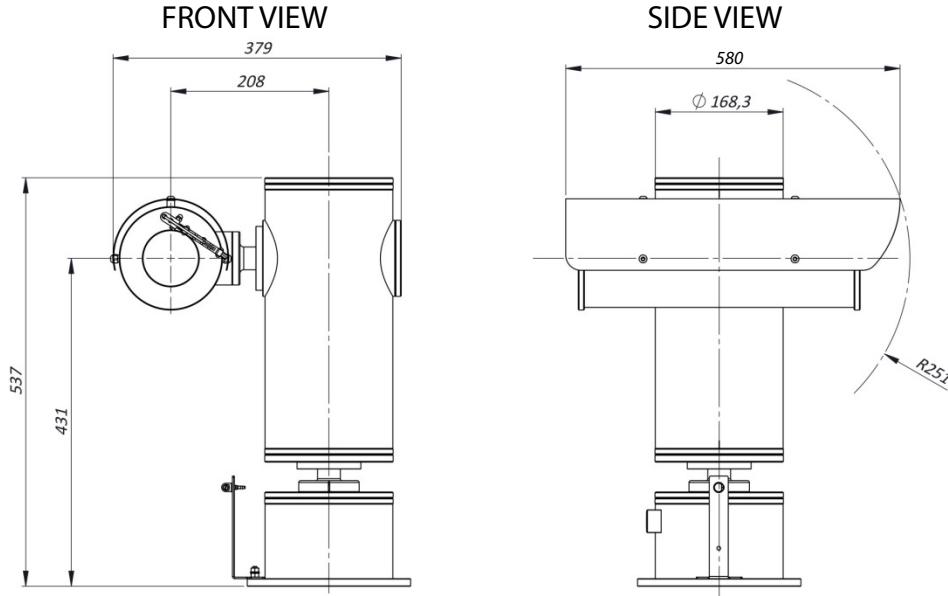
SAUCCT3-B	3 meters composite cable tail (power, CAT6A, data) with two M25 nickel-plated brass glands.
SAUCCTF3-D	3 meters composite cable tail (power, data, fiber optic) with two M25 nickel-plated brass glands. Fiber termination: SC.
SAUCCT5-B	5 meters composite cable tail (power, CAT6A, data) with two M25 nickel-plated brass glands.
SAUCCTF5-D	5 meters composite cable tail (power, data, fiber optic) with two M25 nickel-plated brass glands. Fiber termination: SC.
SAUCCT10-B	10 meters composite cable tail (power, CAT6A, data) with two M25 nickel-plated brass glands.
SAUCCTF10-D	10 meters composite cable tail (power, data, fiber optic) with two M25 nickel-plated brass glands. Fiber termination: SC.

ACCESSORIES

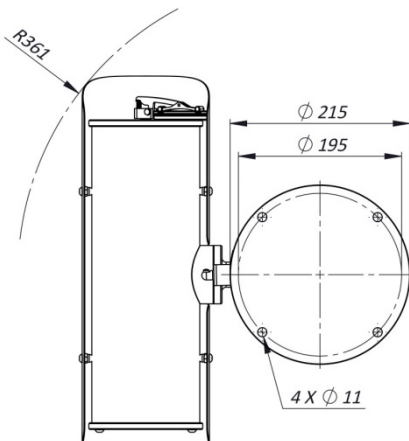
SSBK-L	Wall mounting bracket
---------------	-----------------------

STAINLESS STEEL PTZ CAMERA STATION

DIMENSIONS



MOUNTING PATTERN



The unit cannot be installed upside-down nor horizontally

*This is only an example of integration of Bosch Dinion cameras in Tecnovideo products.
Bosch Trademark and company logos, marks, product names and emblems are registered trademarks and belong to Robert Bosch GmbH.*