

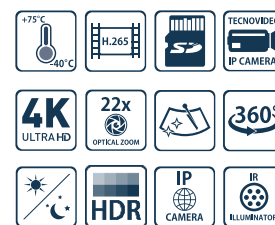
# TECNOVIDEO

CCTV SYSTEMS AND ACCESSORIES

## SECPTZ150TV4 SERIES

DIE-CASTING ALUMINIUM PTZ CAMERA STATION

- DIE-CASTING ALUMINIUM CONSTRUCTION
- HIGH-SPEED ROTATION AND MONITORING
- EASY INSTALLATION AND MAINTENANCE
- WEATHERPROOF STANDARD IP66
- ULTRA HD 4K CAMERA, 30FPS, 22x AF OPTICAL ZOOM
- SUPPORTS 802.1X and SNMP (V1-3)
- ONVIF PROFILE G/S/T COMPLIANT



ONVIF | GST

### TECHNICAL SPECIFICATIONS

#### GENERAL & MECHANICAL

<b>Dimensions</b>	See drawings next page
<b>Operating Temperature</b>	-40° +65°C (+75°C peak)
<b>Construction</b>	Die-Casting Aluminum
<b>Finish</b>	Powder coating (White Ivory painted)
<b>Mounting</b>	See drawings next page
<b>Wiper</b>	Yes

<b>Pan Angle</b>	360° (continuous rotation)
<b>Pan Speed</b>	0 – 120°/s

<b>Tilt Angle</b>	-90° to +40°
<b>Tilt Speed</b>	0 – 40°/s

<b>Preset</b>	256
<b>Rotation angle</b>	Electronically adjustable
<b>Backlash</b>	<0,2°
<b>Max preset accuracy</b>	+/- 0,1°
<b>Preset Repeatability</b>	+/- 0,05°
<b>Control protocol</b>	Pelco D, 57600 Baudrate
<b>Weight</b>	Unit: 13.7Kg / Package:19.4kg

#### ELECTRICAL

<b>Thermostatically controlled heater</b>	<b>T[°C] ON</b> = 4 ± 4°C, <b>T[°C] OFF</b> = 15 ± 5°C
<b>Available voltage</b>	24VAC (+/-10%)
<b>Unit Max power consumption</b>	40W (Heater off), 100W (Heater on)
<b>IR LED Max power consumption</b>	24W (IR LED on)

#### VIDEO/CAMERA

<b>Sensor</b>	1/1.8" Progressive CMOS
<b>Resolution</b>	4K resolution (3864x2180)
<b>Compression</b>	H.265/H.264/MJPEG
<b>Streaming</b>	Up to 4 configurable streams
<b>Frame Rate</b>	H.265 HDR 4K @30fps + d1 @30fps, H.264 HDR 4K @30fps + d1 @30fps, MJPEG 1080p @30fps
<b>Sensitivity</b>	Color: 0.04 lux, B/W: 0.002 lux
<b>Shutter Speed</b>	1~1/10000 sec.
<b>Dynamic range</b>	WDR/HDR
<b>Lens</b>	22x Optical Zoom Auto Focus, 10x Digital, focal Length 6.4-138.5 mm
<b>Image settings</b>	Color, Brightness, Sharpness, Contrast, White Balance, Exposure Control, 2DNR, 3DNR, NR by Motion, Masking, Text Overlay

#### Event Triggers

#### Event Actions

#### Local Storage

#### Network Storage

External Input, Analytics, Network Failure Detection, Periodical Event, Manual Trigger  
External Output Activation, Video and audio recording to edge storage, File Upload: FTP, network share and email, Notification: HTTP, FTP, email  
microSD (card not provided)  
support for recording to NAS

#### NETWORK

#### Interface

#### Security

#### ONVIF

#### Protocols

10/100 Mbps Ethernet  
User Authentication/ HTTPS/ IP Filter/ IEEE 802.1x  
ONVIF profile G/S/T compliant  
IPv4/v6, TCP, UDP, RTP, RTSP, HTTP, HTTPS, ICMP, FTP, SMTP, DHCP, PPPoE, UPnP, IGMP, SNMP, QoS, ARP, NTP

#### LED ILLUMINATOR

#### LED

#### Wavelength

#### Beam patterns

IR LED  
850nm  
25°

#### CERTIFICATIONS

#### Ingress Protection

#### EMC

EN 60529 (IP66)  
EN 55032 :2015 [Class A]  
EN 55035 :2017

#### MODELS

#### SECPTZ150TV4/24

PTZ camera station, 24VAC, without IR Illuminators

All the above PTZ camera stations include sunshield, heater and integrated wiper, a built-in telemetry receiver, variable speed motors. IR illuminators to be purchased separately.

#### ACCESSORIES

#### PSU150

230VAC power supply (add-on kit)

#### IR25150

2x 25° beam pattern IR illuminator (add-on kit)

#### ALBK150

Wall mounting bracket

#### WP1010F

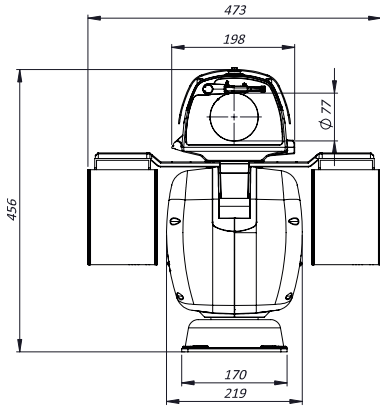
10 Liters washer tank, 10meters pump, float switch, frame version, 24VAC

#### WP1010C

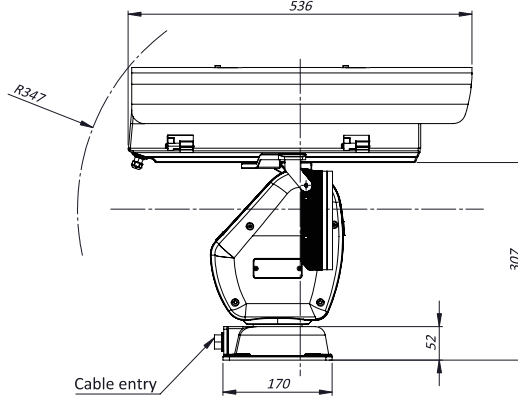
10 Liters washer tank, 10meters pump, float switch, cabinet version, 24VAC

## DIMENSIONS

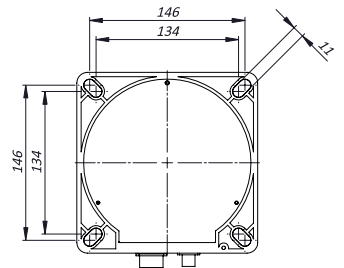
FRONT VIEW (version with IR LED)



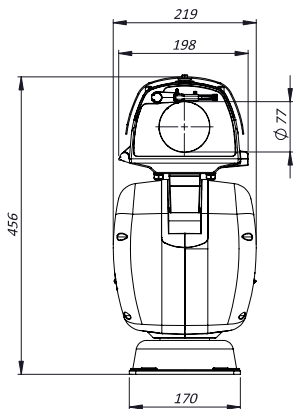
SIDE VIEW (version with IR LED)



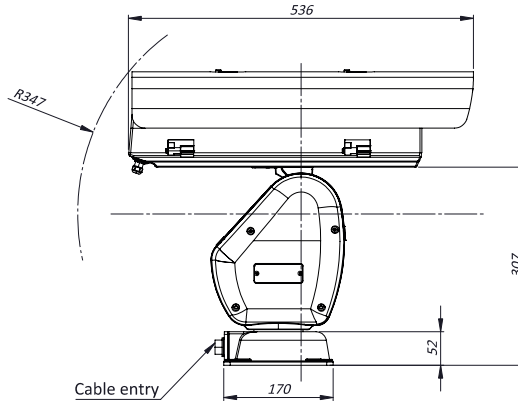
MOUNTING PATTERN



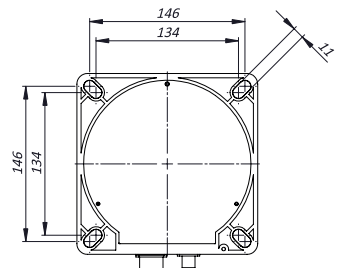
FRONT VIEW (version without IR LED)



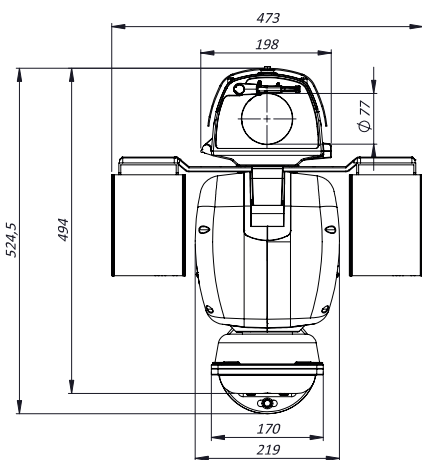
SIDE VIEW (version without IR LED)



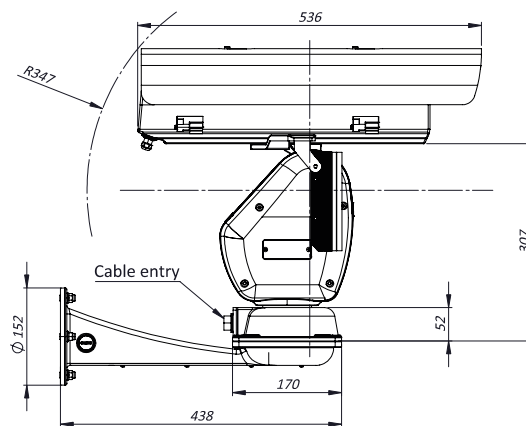
MOUNTING PATTERN



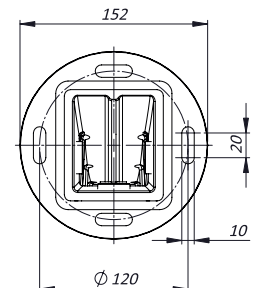
FRONT VIEW (mounting bracket)



SIDE VIEW (mounting bracket)



MOUNTING BRACKET



*The unit cannot be installed upside-down nor horizontally*