

WP SERIES

STAINLESS STEEL WASHER SYSTEM

SAFE AREA

- AISI316L STAINLESS STEEL FRAME OR CABINET
- 10 AND 15 METRES MAX DELIVERY HEAD PUMPS
- 5, 10 AND 25 LITRES RESERVOIR CAPACITY
- LOW LEVEL ALARM SENSOR
- MULTIVOLTAGE
- FOR USE IN HIGHLY CORROSIVE ENVIRONMENTS
- EASY INSTALLATION AND MAINTENANCE
- SUITABLE FOR THIRD PARTY CAMERAS



TECHNICAL SPECIFICATIONS

GENERAL & MECHANICAL

Dimensions	See drawings next page
Operating Temperature	Max Temperature +60° C Min Temperature, full performance (Antifreeze liquid) -10° C Lowest min temperature, reduced performance (Antifreeze liquid) - 25° C
Construction	AISI316L Stainless Steel (cabinet/frame)
Tank Material	Polyethylene high density and molecular weight (HDPE HMW) highly resisting to aggressive chemical agents
Hose Material	EPDM black rubber, Antialgae
Cable entries	Cable glands for 5-8mm diameters cables
Low level detection sensor	Float switch, with automatic pump stop and remote alarm signal

Weight Model	Empty unit [kg]	Package [kg]
WP510F	3.7	5.2
WP1010F	4.2	4.9
WP2510F	8.3	9.6
WP2515F	8.3	9.6
WP510C	13.9	15.9
WP1010C	14.2	16.2

ELECTRICAL

Available supply voltages	24VAC, 24VDC, 100÷240VAC (±10%)
Power consumption	60W max (10m pump) 95W max (15m pump)

CERTIFICATIONS

Ingress Protection (EN 60529)	IP66 (junction box)
EMC	EN 50130-4; EN/IEC 61000-6-2; EN/IEC 61000-6-4
LVD	EN 60950-1; EN 60950-22
RoHS	2011/65/EU + 2015/863/EU (RoHS 3)
WEEE	2012/19/EU

MODELS (FRAME)

WP510F	5L tank, 10m pump
WP1010F	10L tank, 10m pump
WP2510F	25L tank, 10m pump
WP2515F	25L tank, 15m pump

MODELS (CABINET)

WP510C	5L tank, 10m pump, in AISI316L cabinet
WP1010C	10L tank, 10m pump, in AISI316L cabinet

ACCESSORIES AND SPARE PARTS

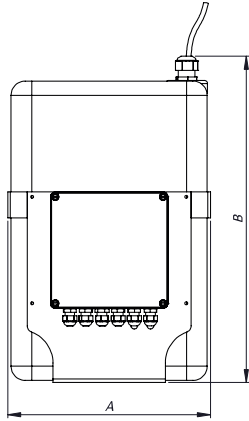
WJK-WP	Water jet nozzle kit with L-bracket. For third-party fixed/PTZ cameras (*)
---------------	--

* This item is not required with Tecnovideo fixed/PTZ camera housings for Safe Area.

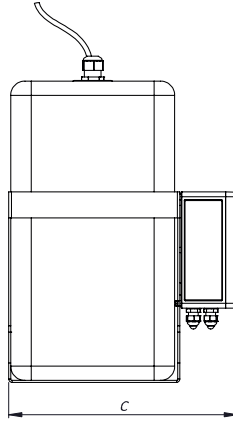
STAINLESS STEEL WASHER SYSTEM

DIMENSIONS

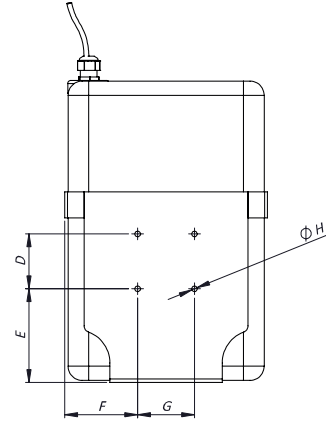
FRAME JUNCTION BOX VIEW



FRAME SIDE VIEW

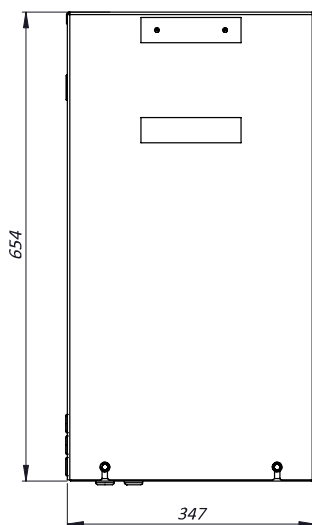


FRAME FRONT VIEW

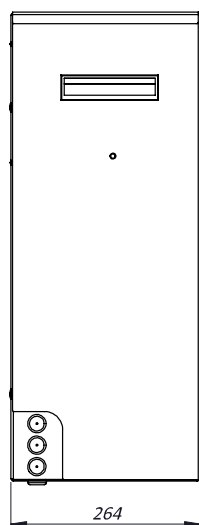


	WP5	WP10	WP25
A	195	235	315
B	279	335	527
C	263	290	355
D	85	85	85
E	25	110	145
F	53,5	73,5	113
G	88	88	88
H	8,5	8,5	8,5

CABINET FRONT VIEW



CABINET SIDE VIEW



CABINET MOUNTING PATTERN

