

# TECNOVIDEO

CCTV SYSTEMS AND ACCESSORIES

## WP10EX-UL SERIES

EXPLOSION PROOF WASHER SYSTEM

- AISI316L STAINLESS STEEL CONSTRUCTION
- UL/C-UL SOLENOID VALVES
- 2.6 GALLONS/10 LITERS RESERVOIR CAPACITY
- EASY INSTALLATION AND MAINTENANCE
- COMPATIBLE WITH THIRD PARTY CAMERAS



### TECHNICAL SPECIFICATIONS

#### GENERAL & MECHANICAL

<b>Dimensions</b>	See drawings next page
<b>Operating Temperature</b>	-20° +55°C (-4° +131°F)
<b>Cabinet material</b>	AISI316L Stainless Steel
<b>Mounting</b>	4 x Ø11mm/0.43in mounting holes
<b>Hose material</b>	Black antistatic polyurethane, UV resistant
<b>Solenoid valve body material</b>	Brass
<b>Max operating pressure</b>	4bar/58PSI
<b>Maximum Delivery head</b>	up to 30m/100ft with 4bar/58PSI pressure
<b>Washing cycles</b>	About 200-500 cycles (depending on camera height, pressure, water level)
<b>Weight</b>	16kg/35Lbs (empty); 26kg/57Lbs (full)
<b>Capacity</b>	10lt/2.6gal
<b>Fluid outlet</b>	10m/33ft hose, 4mm/0.16in bore tube
<b>Cable entry</b>	½" NPT (cable gland not included)

#### ELECTRICAL

<b>Available supply voltages</b>	24VAC (+/-10%)
<b>Max power consumption</b>	12W

#### CERTIFICATION

<b>Ingress Protection (NEMA Type)</b>	3, 3S, 4, 4X, 6, 6P, 7 and 9
<b>Solenoid valve:</b>	Class I div 1 Groups B, C and D
<b>CSA/UL</b>	Class II div 1 Groups E, F and G
<b>Cabinet</b>	Not rated
<b>Certified temperature</b>	-40°F to 131°F (-40°C to 55°C) - (CSA to -25°F/-13°C)
<b>EMC</b>	EN 61000-6-2; EN 61000-6-4

#### MODELS

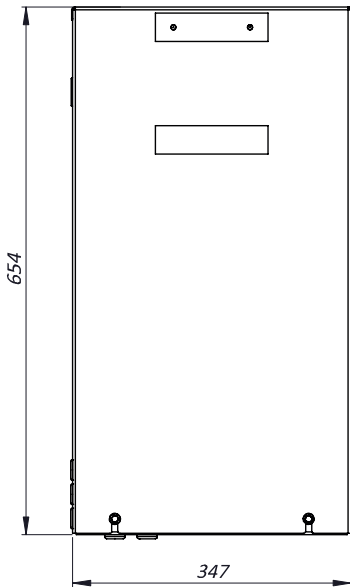
<b>WP10EXUL01/24</b>	10 Litres tank , Class/Zone certified valve, 24VAC
----------------------	--

#### MOUNTING ACCESSORIES

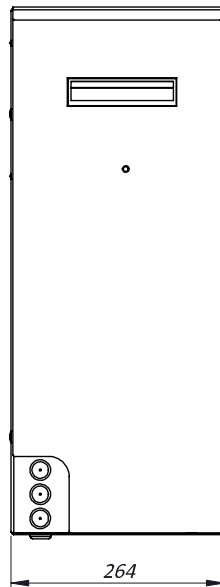
<b>APH20EXWP</b>	20m/65ft extension antistatic polyurethane hose
------------------	---

## DIMENSIONS

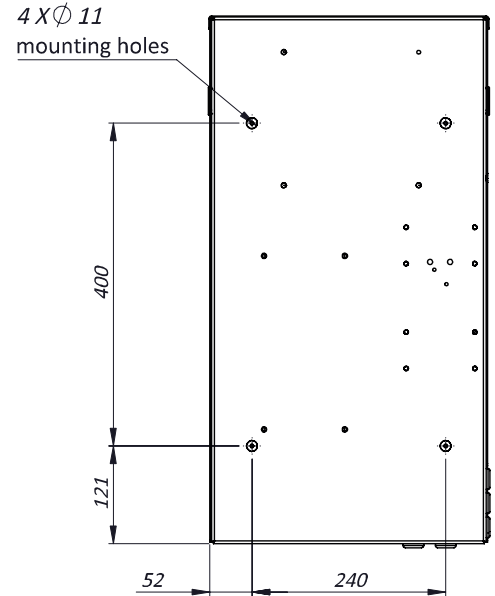
FRONT VIEW



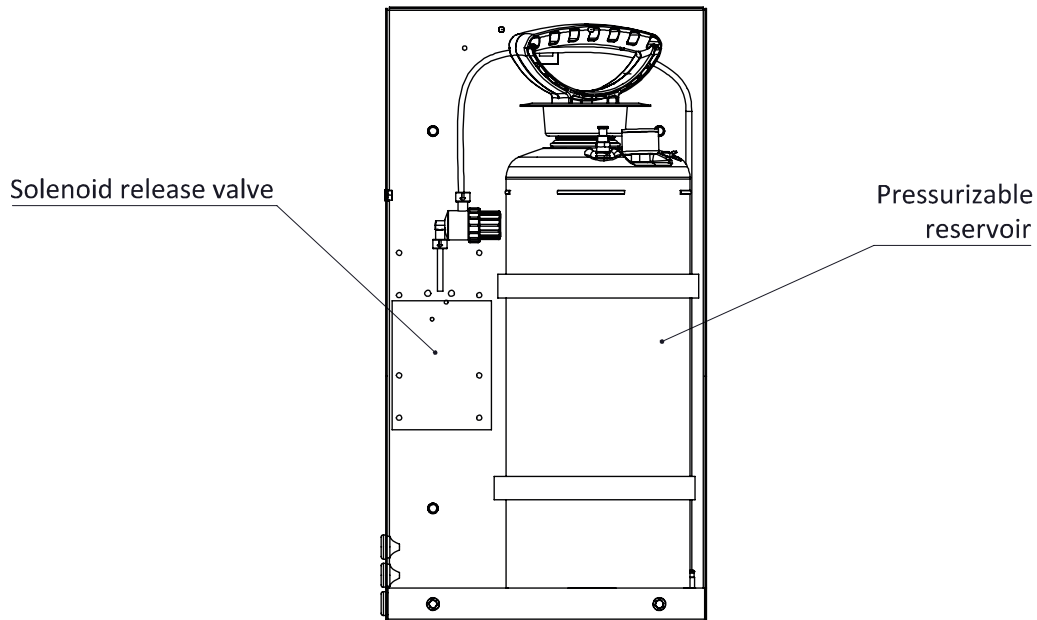
SIDE VIEW



MOUNTING PATTERN



INTERNAL FRONT VIEW



MAX EXTERNAL LENGTH

Model	L1 [mm]	L2 [mm]	L3 [mm]
WP10EXUL01/24	654	347	264